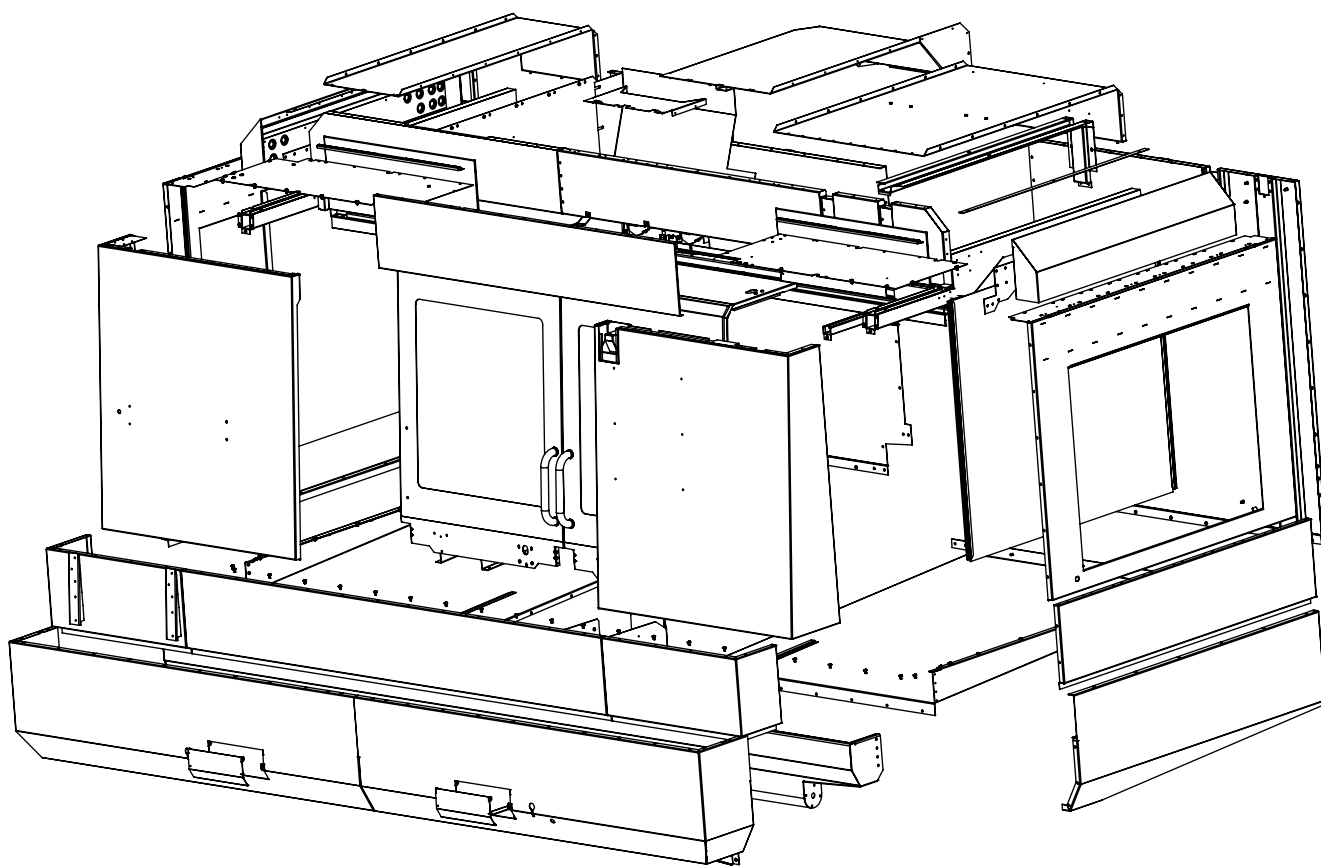
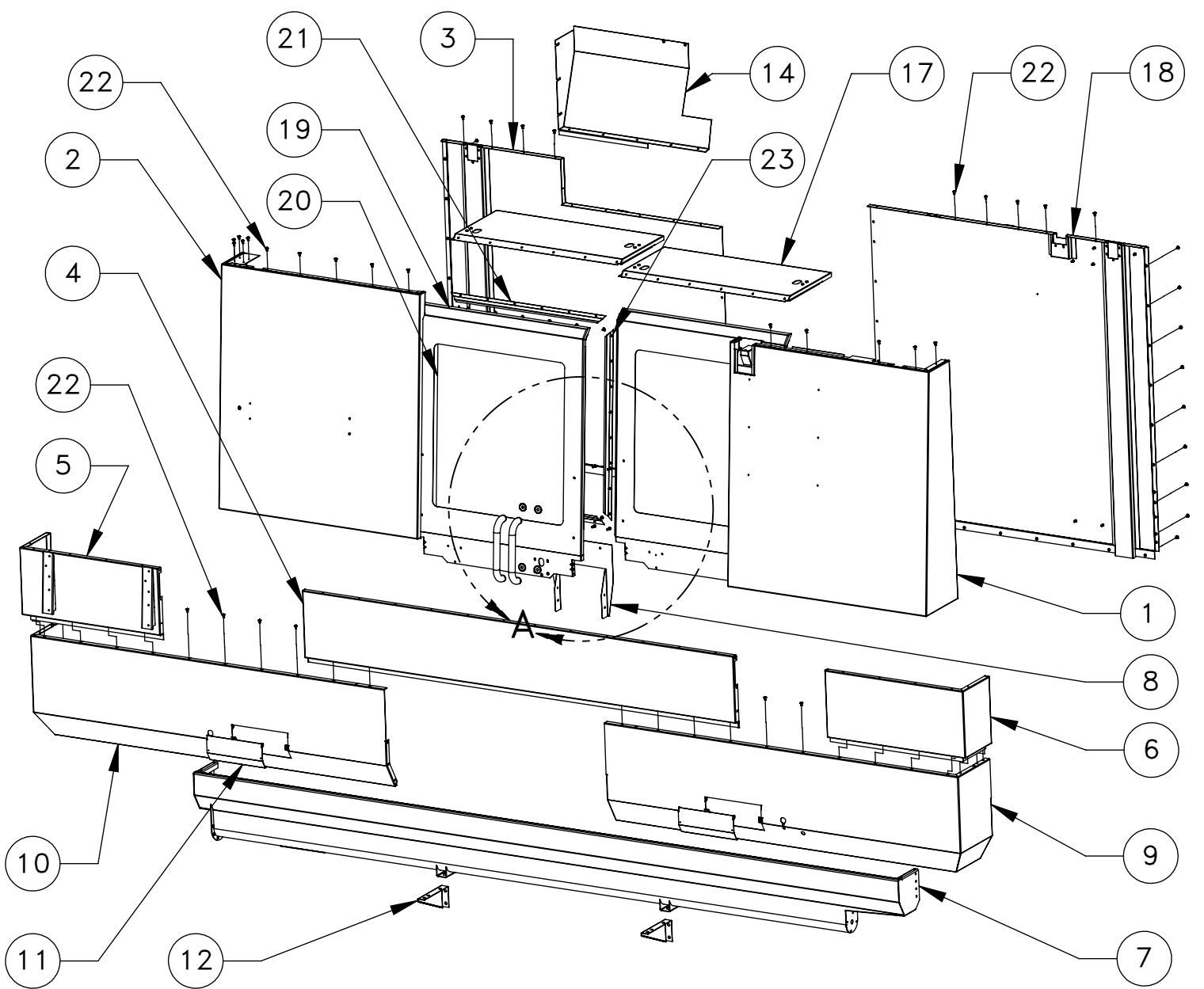


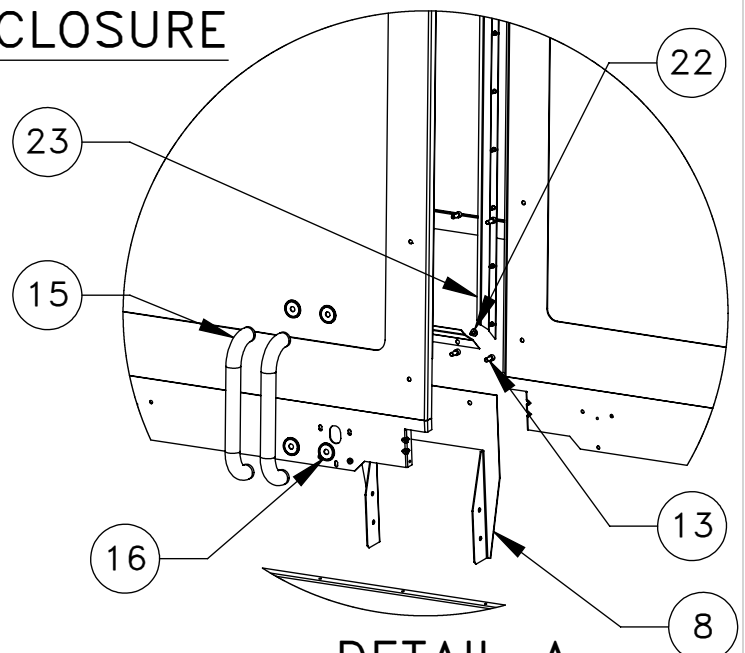
COLLAPSED VIEW



EXPLODED VIEW



FRONT AND BACK ENCLOSURE



DETAIL A
SCALE 1 : 16

ITEM NO.	DESCRIPTION	QTY.
1	FRONT PANEL, RIGHT, VF-6,7,8,9	1
2	FRONT PANEL, LEFT, VF-6/8	1
3	REAR PANEL, LEFT, VMC-L	1
4	FRONT PANEL, CENTER, VMC-L	1
5	FRONT PANEL, INTERMEDIATE,LEFT VF-6,8	1
6	FRONT PANEL, INTERMEDIATE,RIGHT VF-6,8	1
7	AUGER TROUGH, VMC-L	1
8	DISCHARGE PLENUM BRK, VMC-L	1
9	FRONT APRON, RIGHT, VMC-L	1
10	FRONT APRON, LEFT, VMC-L	1
11	COVER ACCESS FRNT APRON VMC	2
12	CONV TROUGH SUPPORT BRKT, VF-6	2
13	SHCS 5/16-18 X 3/4 DOMESTIC ONLY	4
14	CHIP GUARD VMC-L	1
15	HANDLE DOOR CHROME	2
16	FERRULE DOOR HANDLE	4
17	VF-6 DOOR ROOF	2
18	REAR PANEL, RIGHT, VMC-L	1
19	DOOR VF-6,8	2
20	DOOR WINDOW, VF-6, 8	2
21	VF-6/8 HORIZONTAL WINDOW RETAINER	4
22	FBHCS 1/4-20 X 1/2 SLF-TP W/LOCTITE PATCH	137
23	VMC-L VERTICAL WINDOW RETAINER	4

SHEET 2 OF 3

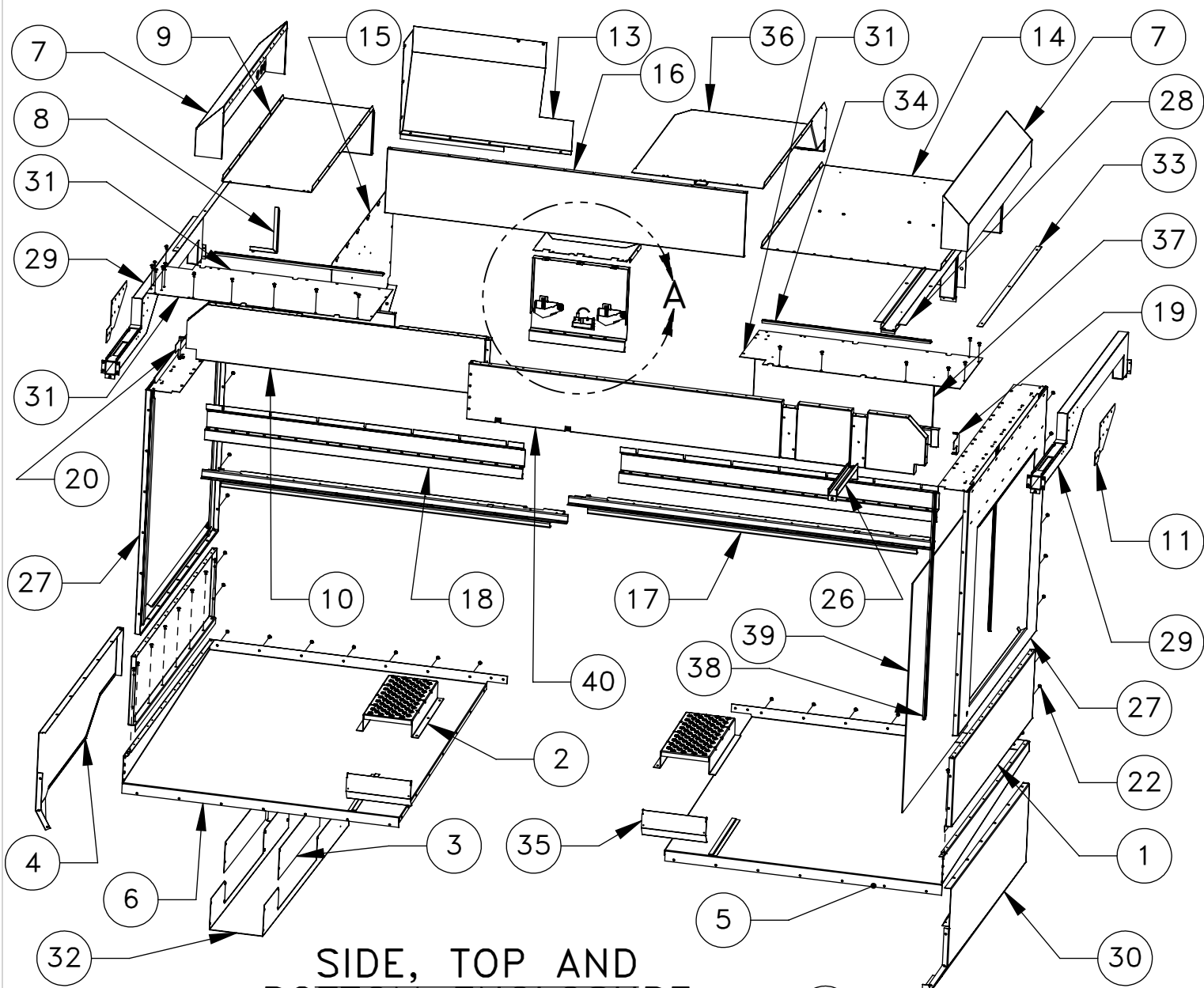
DESCRIPTION

EFFECTIVE DATE

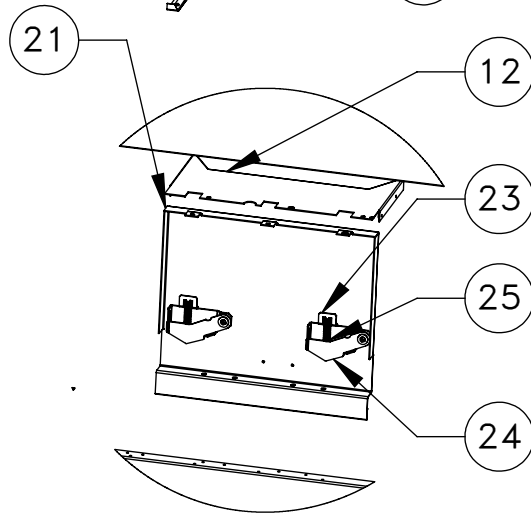
VF-6 - VF-12 ENCLOSURE ASSEMBLY

MAY-2010

SAP DOC NO./VER: /



**SIDE, TOP AND
BOTTOM ENCLOSURE**



**DETAIL A
SCALE 1 : 16**

ITEM NO.	DESCRIPTION	QTY.
1	SIDE PANEL, INTERMEDIATE, VF-6	2
2	VF-6 STEP BASE	2
3	DISCHARGE PLENUM SIDE CVR, VMC-L	2
4	SIDE APRON, LEFT, VF-6,7,10,12	1
5	PAN, RIGHT, VF-6,7,10,12	1
6	PAN LEFT, VF-6,7,10,12	1
7	ROOF END CAP, VF-6,7,10,12	2
8	BRACKET FILLER, BACK PANEL, LEFT, VF-6,8	1
9	ROOF PANEL NARROW, VF-6,7,10,12	1
10	HEADER BAR TOOL CHANGER VF-6,8	1
11	HEADER BAR BRACKET, VMC-L	2
12	FR ENCL TO SP HD FILLER 40T VMC-L	1
13	CHIP GUARD VMC-L	1
14	ROOF PANEL WIDE, VF-6,7,10,12	1
15	T/C BULKHEAD VF-6,7,10,12	1
16	UPPER FACADE CENTER VF-6,8	1
17	RAIL DOOR UPPER VF-6,8	2
18	COVER BACK CHIP GUARD VF-6,8	2
19	COVER RAIL SIDE RIGHT VF-6,7,8,9	1
20	COVER RAIL SIDE LEFT VF-6,7,8,9	1
21	COVER DOOR CLOSER CHIP GUARD VMC-L	1
22	FBHCS 1/4-20 X 1/2 SLF-TP W/LOCTITE PATCH	79
23	MTG BRKT SPRING LOAD DOOR DETENT VMC-L	2
24	LEVER ARM SPRING LOADED DOOR STOP	2
25	SPRING EXTRACTOR VERTICAL40 TAPER VF TOO	2
26	CABLE CHANNEL FRONT VF-6,7	1
27	SIDE PANEL, VF-6,7,10,12	2
28	WIRE CHANNEL REAR VF-6,7,10,12	1
29	HEADER CROSS BRACE VF-6,7	2
30	SIDE APRON, RIGHT, VF-6,7,10,12	1
31	ROOF PANEL, FRONT	2
32	DISCHARGE PLENUM, VF-6,7,10,12	1
33	FILLER SIDE PANEL VF-6	2
34	INTERLOCK CABLE COVER	2
35	COVER ACCESS FRNT APRON VMC	2
36	VF-6,7,10,12 SPNDL HD TO ENCLSR PNL	1
37	UPPER FACADE END RIGHT VF-6,8	1
38	VMC-L SIDE WINDOW EXTRUSION	4
39	SIDE WINDOW VF-6,7,10, 12	2
40	HEADER BAR CONTROL VMC-L	1