

ITEM	DESCRIPTION	QTY
1	SEAL, TEFLON	2
2	GASKET BELT ENCL B-AXIS	1
3	BELT ENCL B-AX BILLET	1
4	SHCS 10-32 X 1 1/2	16
5	NAMEPLATE	1
6	MC DR SCREW 2 X 1/4 RD HD	2
7	O-RING	1
8	BHCS 10-32 X 3/8	23
9	TRUNNION BASE (MACHINING)	1
10	BELT ENCL A-AXIS CVR	1
11	SHCS 1/2-13 X 5	8
12	MTR ENCL SEAL HOLDER	1
13	SEAL CR	1
14	O-RING	1
15	HHB 1/4-20 X 3/8	4
16	WASHER 1/4 FLAT SAE PLT	4
17	MTR ENCLOSURE A AXIS	1
18	MTR ENCL A AXIS COVER	1
19	O-RING	1
20	AIR LINE	1
21	SHCS 10-32 X 7/8	10
22	SHCS 3/8-16 X 2	12

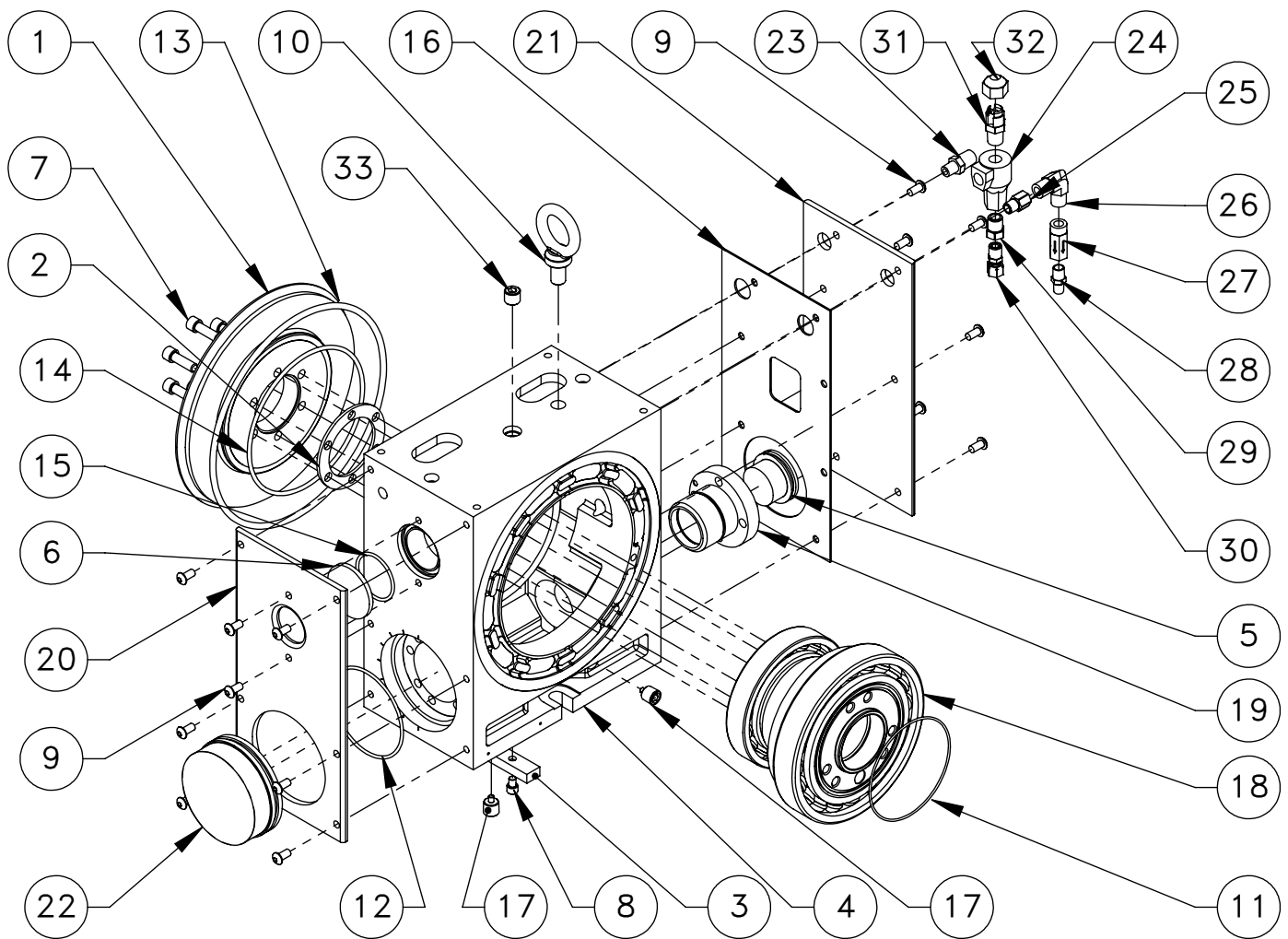
SHEET 1 OF 5

DESCRIPTION
TRUNNION

EFFECTIVE DATE

JAN-2001

SAP DOC NO./VER: /



TILT DRIVEN AXIS

ITEM.	DESCRIPTION	QTY.
1	BRAKE DISC HRT210	1
2	SPINDLE SPACER	1
3	ALIGNMENT KEY	1
4	BODY MODIFIED	1
5	PLUG	1
6	SIGHT GLASS OIL	1
7	SHCS 5/16-18 X 1	6
8	SHCS 1/4-20 X 5/16	1
9	BHCS 1/4-20 X 1/2 ZINC	15
10	EYE BOLT, SHOULDER 1/2"-13 x 7/8"	1
11	O-RING	1
12	O-RING	1
13	O-RING	1
14	O-RING	1
15	O-RING	1
16	GASKET SIDE PLATE	1
17	FITG NPT-1/4-M PLUG MAGNETIC	2
18	SPINDLE/BRG ASSY NO GEAR	1
19	HOUSING, BEARING DUAL ECC	1
20	SIDE COVER	1
21	COVER SIDE DRIVEN	1
22	HOUSING COVER	1
23	FITG NPT-1/8-M X NPT-1/4-M	1
24	QUICK EXHAUST 1/4 HUMPHREY	1
25	FITG NPT-1/8-F X NPT-1/8-M	1
26	FTG NPT-1/8-MX SILVER	1
27	VALVE CHECK NPT-1/8-F X NPT-1/8-F	1
28	AIR MUFFLER NPT-1/8	1
29	FTG RDCER NPT1/4 M SILVER X 1/8	1
30	FTG ALIGN-1/4	1
31	3/8 TUBE X 1/4NPT-NICKEL PLT BRASS	1
32	3/8 TUBE-CAP-NICKEL PLT BRASS	1
33	FTG NPT 1/4 M PLUG	1

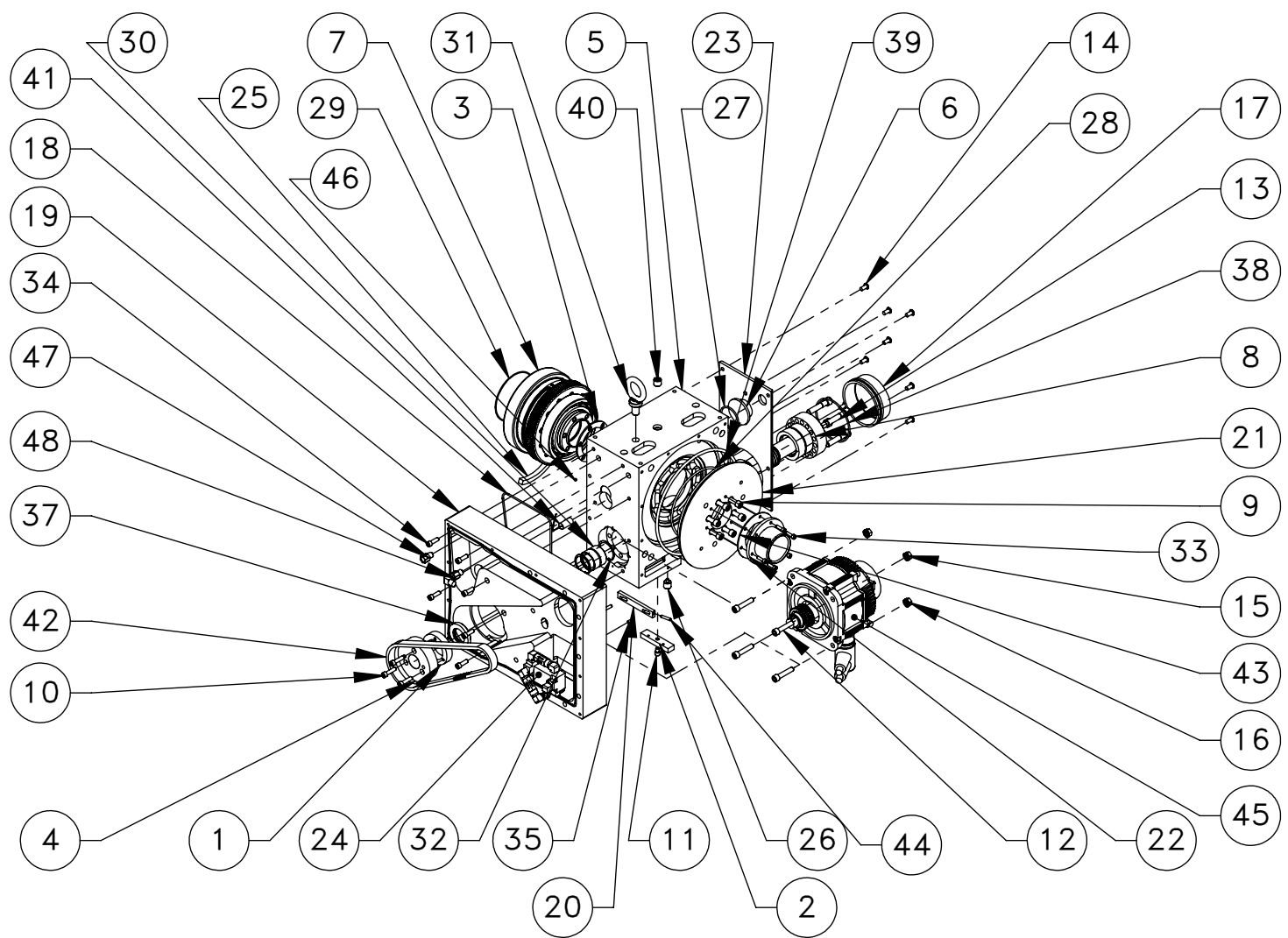
SHEET 2 OF 5

DESCRIPTION
TRUNNION

EFFECTIVE DATE

JAN-2001

SAP DOC NO./VER: /



TILT DRIVE AXIS

ITEM.	DESCRIPTION	QTY.
1	LOCKRING DRIVEN PULLEY	1
2	KEY BODY	1
3	SPINDLE SPACER	1
4	PULLEY DRIVEN	1
5	BODY MODIFIED	1
6	SIGHT GLASS OIL	1
7	GEAR/BRG ASSY	1
8	WORM SHAFT ASSY ECC	1
9	SHCS 5/16-18 X 1	6
10	SHCS 1/4-20 X 1	3
11	SHCS 1/4-20 X 5/16	1
12	SHCS 5/16-18 X 1 1/2" LG	4
13	SHCS 3/8-16 X 1 3/4	4
14	BHCS 1/4-20 X 1/2 ZINC	8
15	WASHER 5/16 SPLT LOCK PLT	4
16	NUT 5/16-18 HEX	4
17	HOUSING COVER	1
18	O-RING 2-175 BUNA	1
19	BELT ENCLOSURE A-AXIS,	1
20	MOTOR SPACER	1
21	BRAKE DISC,	1
22	TUBE SEAL	1
23	SIDE COVER DRV SIDE	1
24	SOLENOID ASSY	1
25	MAGNET FLEXIBLE	1
26	FITG NPT-1/4-M PLUG MAGNETIC	1
27	O-RING	1
28	O-RING	1
29	O-RING	1
30	NEEDLE ROLLER	1
31	EYE BOLT, SHOULDER 1/2"-13 x 7/8"	1
32	RETAINING RING	2
33	SHCS 10-32 X 5/8	6
34	SHCS 1/4-20 X 3/4 LOCTITE BLK	7
35	DOWEL PIN 1/2 X 1 1/2	2
37	CR SEAL	1
38	O-RING	1
39	O-RING	1
40	FTG NPT 1/4 M PLUG SILVR	1
41	MICRO SWITCH ASSY 16	1
42	DRV BELT	1
43	GASKET TUBE SEAL	1
44	SSS 8-32 X 1 FULL DOG	1
45	MOTOR ASSY A-AXIS	1
46	BALL 3/16 PTFE	1
47	FITG NPT-1/8-F X NPT-1/8-M	2
48	FITG POLY-1/4 X NPT-1/8-M 90	1

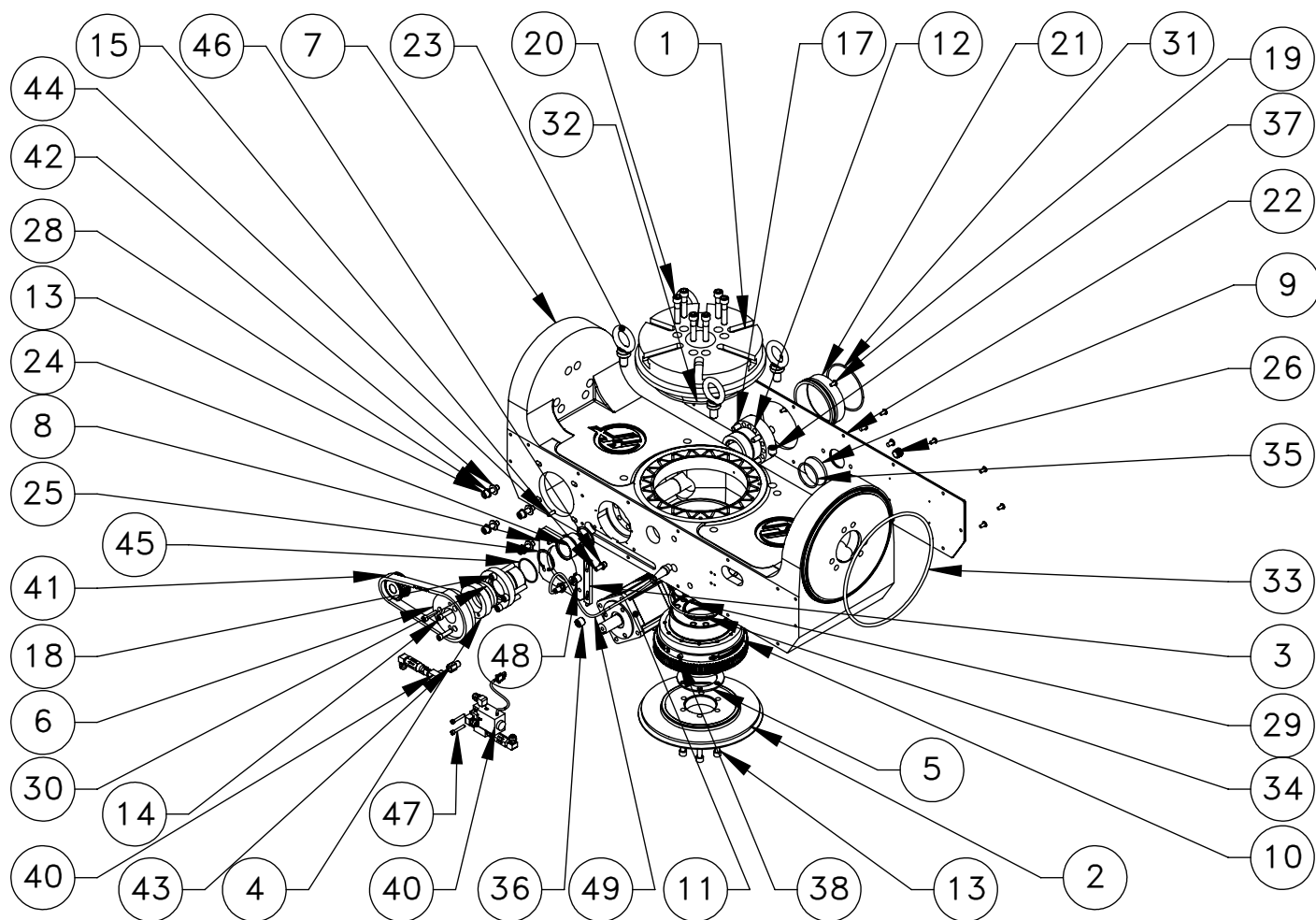
SHEET 3 OF 5

DESCRIPTION
TRUNNION

EFFECTIVE DATE

JAN-2001

SAP DOC NO./VER: /



ROTARY AXIS

ITEM.	DESCRIPTION	QTY.
1	PLATTER	1
2	BRAKE DISC	1
3	MOTOR SPACER	1
4	LOCKRING DRIVEN PULLEY	1
5	SPINDLE SPACER	1
6	PULLEY DRIVEN	1
7	TRUNNION MACHINING	1
8	MOTOR PLATE	1
9	SIGHT GLASS OIL	1
10	GEAR/BRG ASSY	1
11	MOTOR ASSY	1
12	WORM SHAFT	1
13	SHCS 5/16-18 X 1	10
14	SHCS 1/4-20 X 1	3
15	SHCS 1/4-20 X 5/8 ZINC PLATED	4
16	BHCS 1/4-20 X 3/8 ZINC PLATED	2
17	SHCS 5/16-18 X 1 1/2" LG	4
18	SHCS 5/16-18 X 1 3/4	4
19	BHCS 10-32 X 3/8 W/LESS CHAMFER	14
20	SHCS 3/8-16 X 1 3/4	6
21	HOUSING COVER	1
22	B-AXIS SIDE PLATE	1
23	EYE BOLT, SHOULDER 1/2"-13 x 7/8"	4
24	NEEDLE ROLLER	1
25	RETAINING RING	2
26	FITG NPT-1/4-M PLUG LOCTITE VIBRA S	1
28	WASHER 5/16 SPLT LOCK PLT	4
29	O-RING	1
30	CR SEAL	1
31	O-RING	1
32	O-RING	1
33	O-RING	1
34	O-RING	1
35	O-RING	1
36	FTG NPT 1/4 M PLUG SILVR	1
37	FITG NPT-1/4-M PLUG MAGNETIC	1
38	MAGNET MICROSWITCH	1
40	SOLENOID ASSY	1
41	DRV BELT	1
42	WASHER 5/16 FLAT	4
43	FITG NPT-1/8-F X NPT-1/8-M	1
44	DOWEL PIN 1/2 X 1 1/2	2
45	O-RING	1
46	WASHER 1/4 SPLT LOCK PLT MED	4
47	SHCS 8-32 X 1	2
48	MICRO SWITCH PLUG 8MM ADAPTER	1
49	PROX SW 8MM NC 5V 3 WIRE WITH M12	1

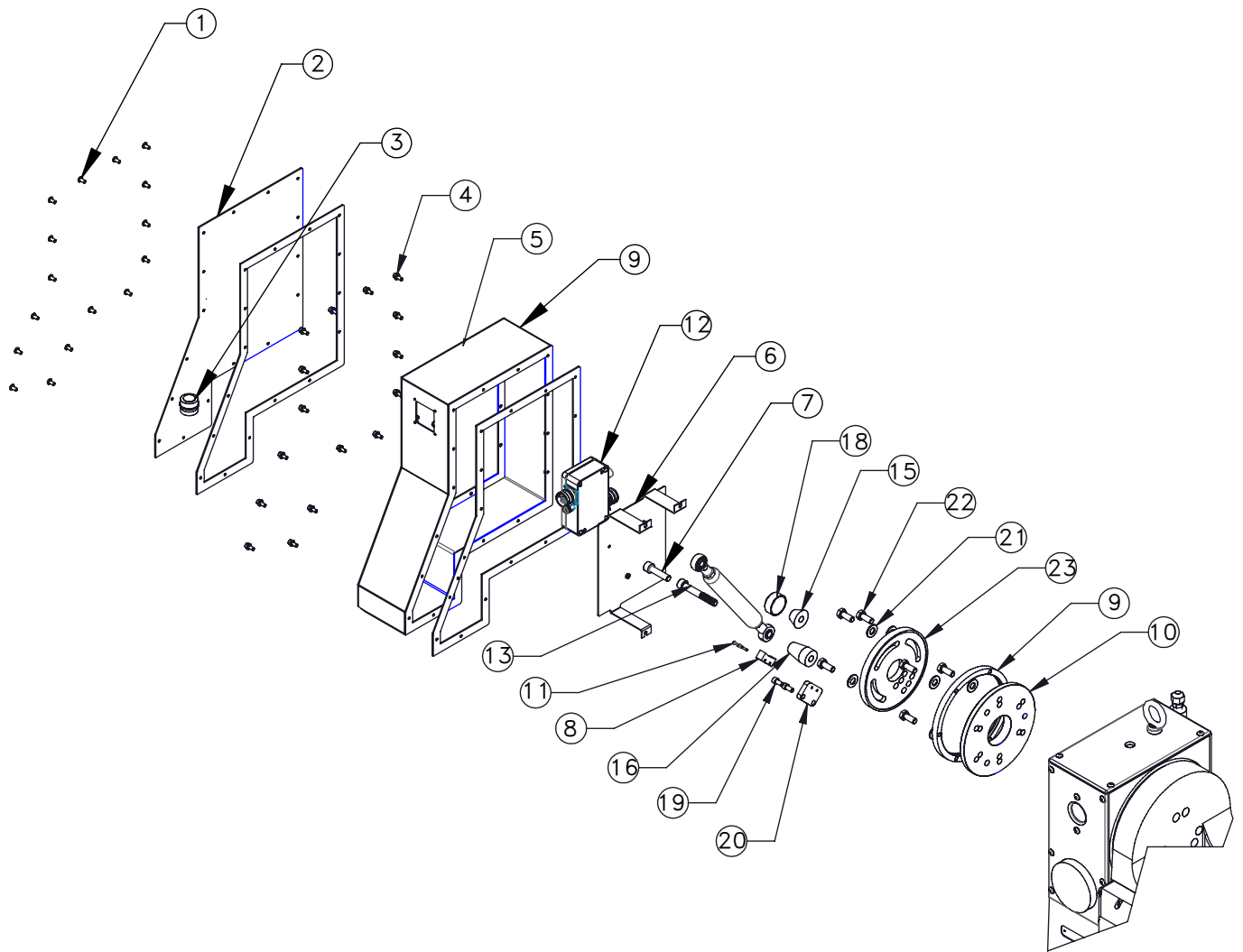
SHEET 4 OF 5

DESCRIPTION
TRUNNION

EFFECTIVE DATE

JAN-2001

SAP DOC NO./VER: /



ROTARY SCALE

ITEM	DESCRIPTION	QTY.
1	BHCS 10-32 X 3/8	16
2	ENCL CBAL CVR	1
3	FITG BKHD NPT-1/4 X SILVR	4
4	SHCS 10-32 X 3/8 W/ FLAT WASHER	16
5	C'BAL ENCL ENCODER	1
6	INTERPOLATION BOX MOUNT	1
7	SHCS, M10 X 100mm LG	1
8	READ HEAD WITH 3 METER CABLE	1
9	ROTARY FLANGED RING SCALE	1
10	SCALE MOUNT ADAPTER	1
11	SHCS 4-40 X 5/8	2
12	ROTARY ENCODER INTERP BOX	1
13	SHCS M10 X 70	1
14	ROD END 10MM MODIFIED	1
15	STANDOFF CBALANCE TOP	1
16	STANDOFF CBALANCE BTM	1
17	SHCS 4-40 X 5/8	2
18	ROD END BUMPER TOP	1
19	SHCS 1/4-20 X 1/2 ZINC PLATED	2
20	READ HEAD MOUNT	1
21	WASHER 3/8 HARD	6
22	3/8-16x7/8 HEX CAP SCREW	6
23	PLATE COUNTER BALANCE SCALE	1

DESCRIPTION

TRUNNION

EFFECTIVE DATE

JAN-2001

SAP DOC NO./VER: /

SHEET 5 OF 5