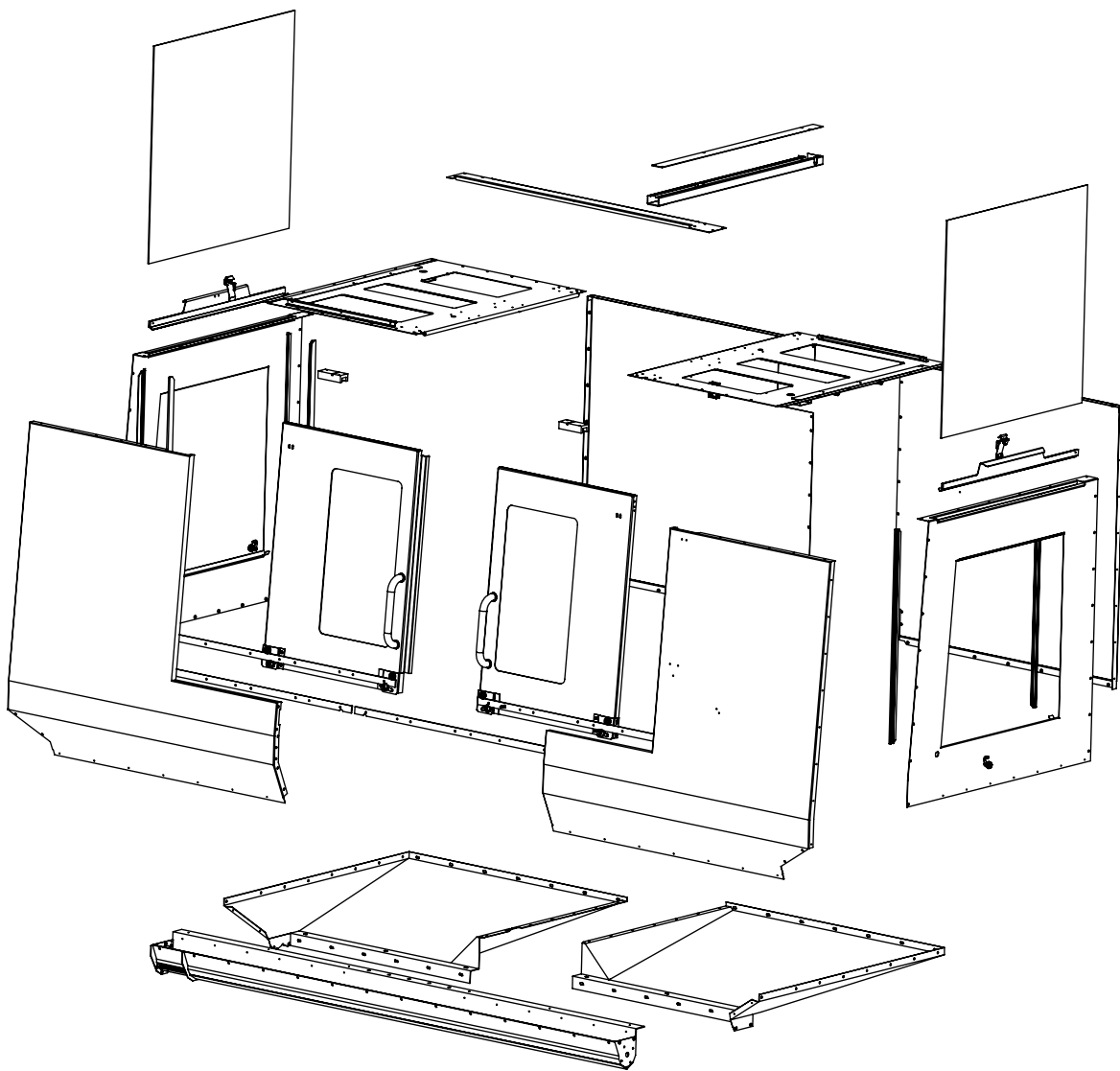
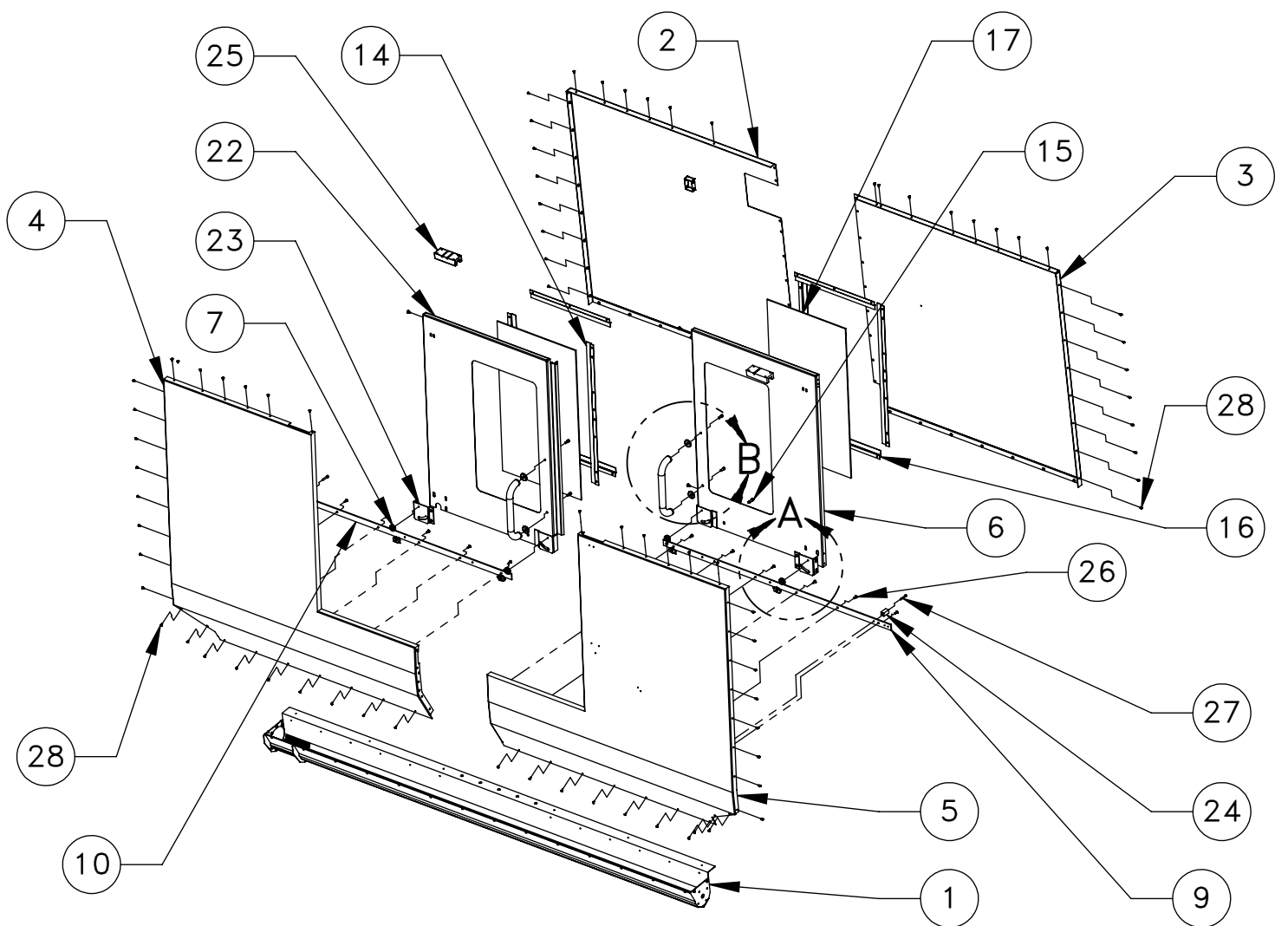


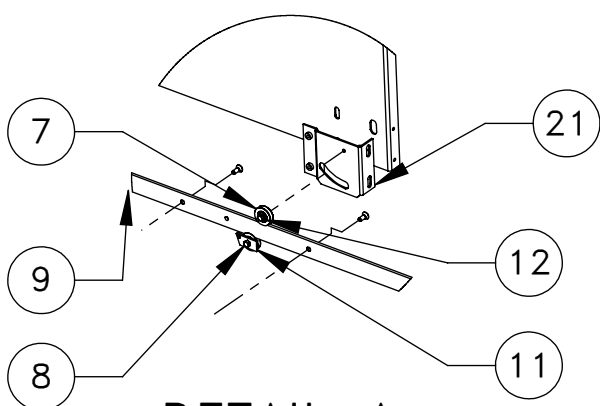
COLLAPSED VIEW



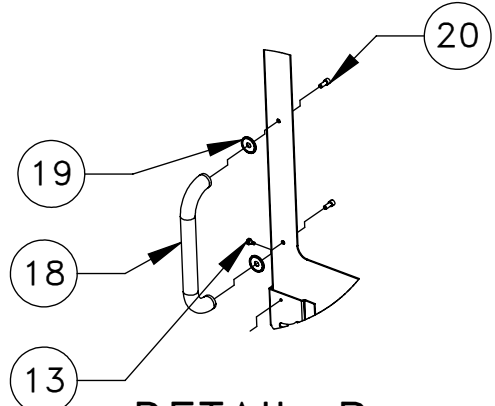
EXPLODED VIEW



FRONT AND BACK TM ENCLOSURE



DETAIL A
SCALE 1 : 12



DETAIL B
SCALE 1 : 16

ITEM NO.	DESCRIPTION	QTY.
1	AUGER TROUGH TM-3P	1
2	LEFT BACK PANEL TM-3P	1
3	RIGHT BACK PANEL TM-3P	1
4	LEFT FRONT PANEL TM-3P	1
5	RIGHT FRONT PANEL TM-3P	1
6	RIGHT DOOR TM-3P	1
7	GUIDE WHEEL DOOR ROLLERS	8
8	HHB 1/4-20 X 3/4 GRADE 5 PLATED	8
9	LOWER GUIDE RAIL DOOR RT	1
10	LOWER GUIDE RAIL DOOR LT	1
11	BRACKET SWIVEL ROLLER TM-1P	4
12	WASHER 1/4 FLAT A325 ZINC-PLATED	12
13	BUMPER, NITRILE .50 DIA. X .25	3
14	DOOR FRAME SIDES VF-0/1/2 60/BOX	4
15	SHLDR BOLT 5/16 X 3/4 1/4-20 THREAD	1
16	DOOR FRAME TOP/BTTM VF-0/1/2	4
17	WINDOW DOOR VFO-2	2
18	HANDLE DOOR CHROME	2
19	FERRULE DOOR HANDLE	4
20	SHCS 5/16-18 X 3/4 DOMESTIC ONLY	4
21	TM-P DOOR ROLLER ALIGN RT	1
22	DOOR LEFT TM-3P	1
23	TM-P DOOR ROLLER ALIGN LT	1
24	BUMPER DOOR	2
25	GUIDE UPPER DOOR TM-1P	3
26	FHCS 1/4-20 X 5/8 NYLON PATCH	12
27	SHCS 1/4-20 X 1 1/2	2
28	BHCS 10-32 X 3/8 W/LESS CHAMFER	77

SHEET 2 OF 4

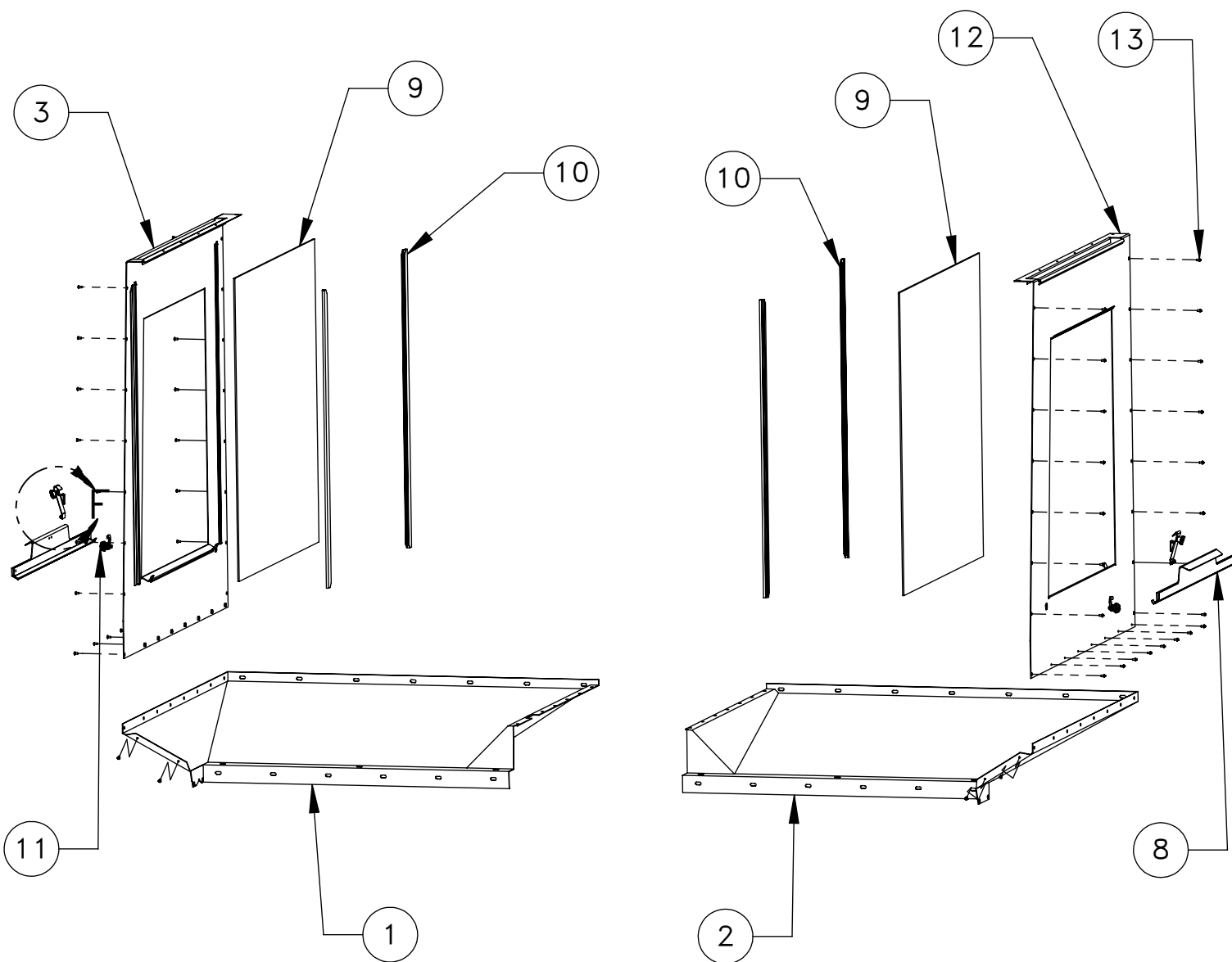
DESCRIPTION

EFFECTIVE DATE

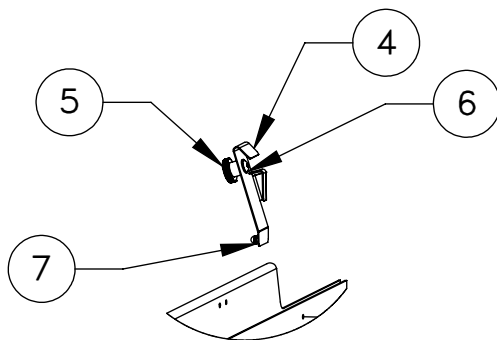
TM ENCLOSURE ASSEMBLY

MAR-2007

SAP DOC NO./VER: /



LEFT, RIGHT AND BOTTOM TM ENCLOSURE

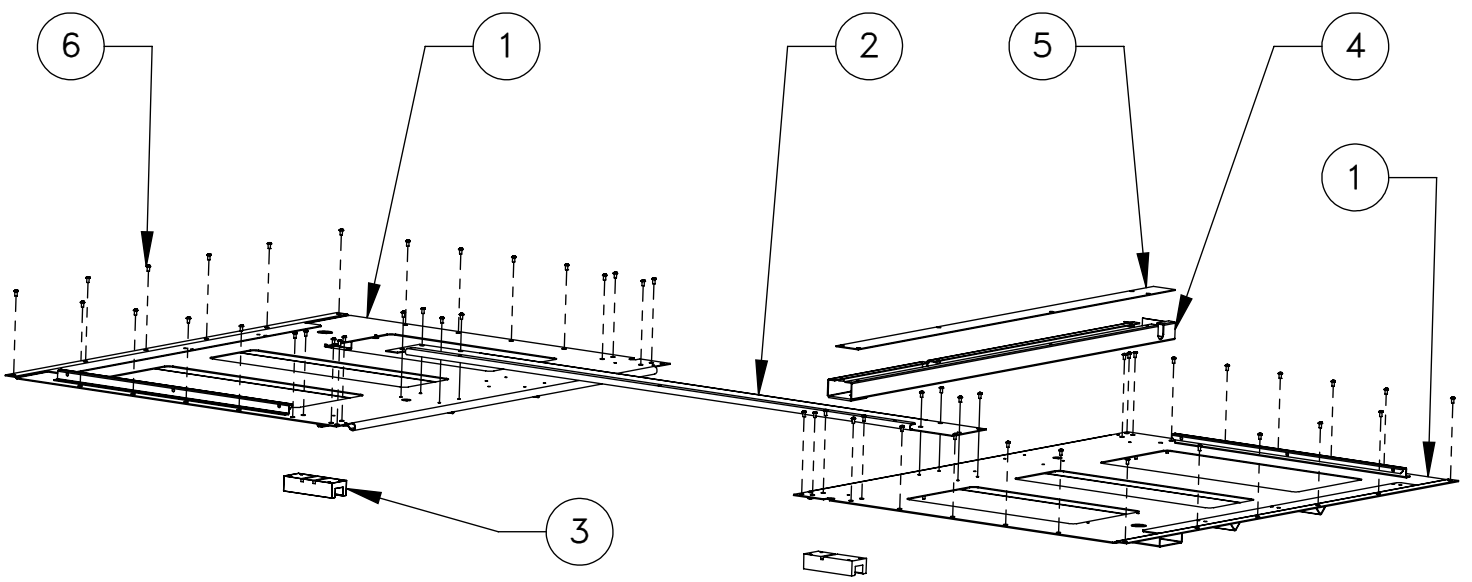


DETAIL F
SCALE 1 : 8

ITEM NO.	DESCRIPTION	QTY.
1	LEFT PAN TM-3P	1
2	RIGHT PAN TM-3P	1
3	RIGHT SIDE PANEL TM-3P	1
4	SPRING CATCH SIDE PANEL	2
5	MACHINE KNOB	2
6	FBHCS 1/4-20 X 1/2 SLF-TP W/LOCTITE PATCH	2
7	NUT ACORN 8-32 SLF LCKNG HX BRIGHT FINIS	4
8	HANDLE SIDE WINDOW VF-MEDIUM	2
9	SIDE WINDOW, TM-3	2
10	PLASTIC EXTRUSION SIDE WINDOW SM VF	4
11	VF SIDE WINDOW KEYED LATCH	2
12	RIGHT SIDE PANEL TM-3P 10/PLT	1
13	BHCS 10-32 X 3/8 W/LESS CHAMFER	50

SHEET 3 OF 4

DESCRIPTION	EFFECTIVE DATE
TM ENCLOSURE ASSEMBLY	MAR-2007
	SAP DOC NO./VER: /



TOP TM ENCLOSURE

ITEM NO.	DESCRIPTION	QTY.
1	PANEL TOP TM-3P	2
2	HEADER BRACE TM-3P	1
3	GUIDE UPPER DOOR TM-1P	3
4	ROOF WIRE CHANNEL, TM-3	1
5	TOP COVER CABLE CHANNEL, TM	1
6	BHCS 10-32 X 3/8 W/LESS CHAMFER	54

SHEET 4 OF 4

<p>TM ENCLOSURE ASSEMBLY</p>	DESCRIPTION	EFFECTIVE DATE
		MAR-2007
		SAP DOC NO./VER: /