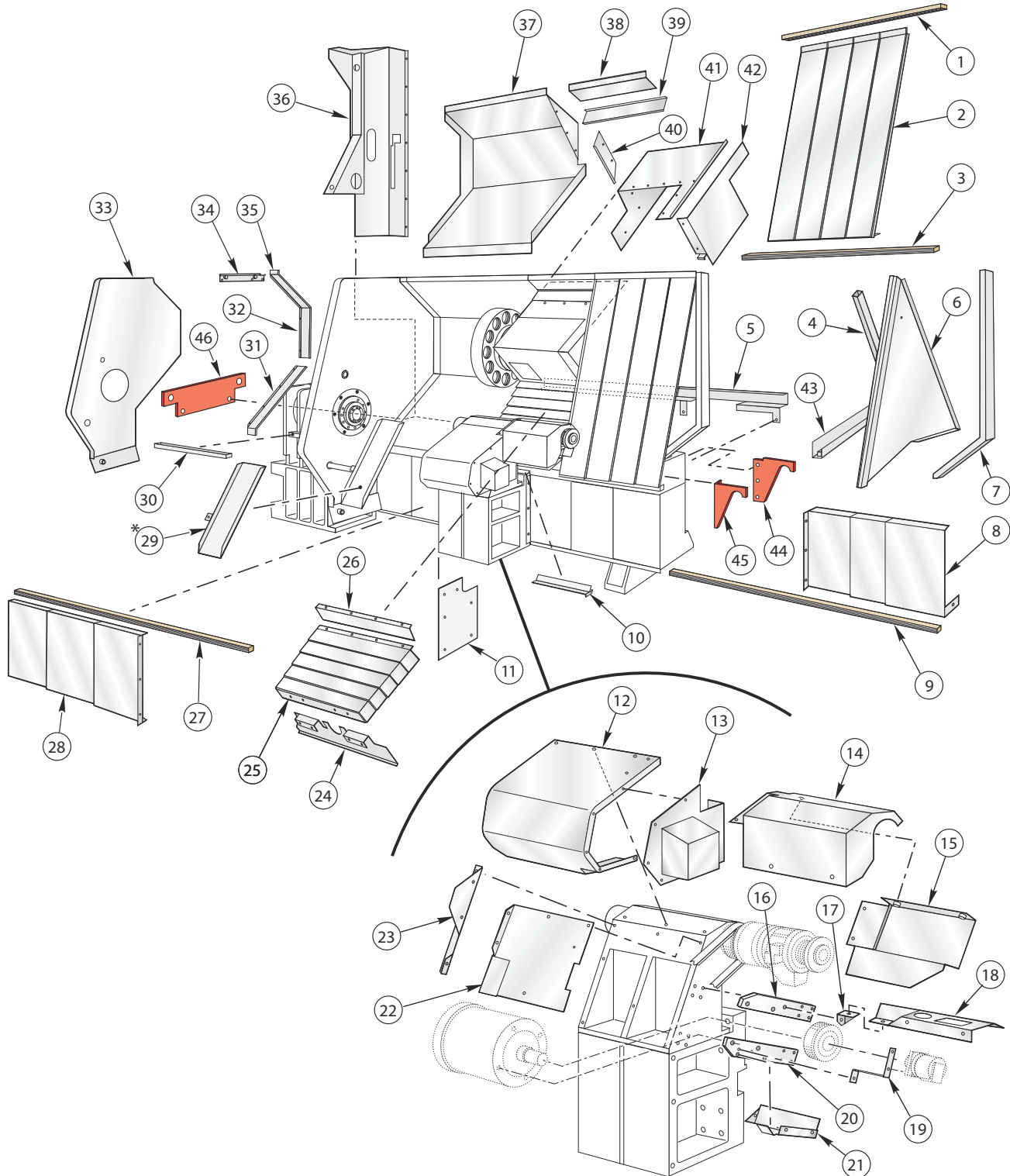




TL-25 - Internal Enclosure



*Parts Catcher Only

SUB-SPINDLE ASSEMBLY

1	Z-Axis Top Waycover Guide	24	Front Wedge Cover
2	Z-Axis Waycover	25	Tool Changer Waycover
3	Z-Axis Bottom Waycover Guide	26	Tool Changer Waycover Mount
4	Moving Bulkhead Support	27	Upper Tailstock Waycover Guide
5	Cable Channel Cover	28	Left Sub-spindle Waycover (4)
6	Moving Bulkhead	29	Parts Catcher Tray (Optional)
7	Right End Support Bracket	30	Z-Axis Drip Tray
8	Right Sub-spindle Waycover (4)	31	Z-Axis Lower Wiper Assembly
9	Lower Tailstock Waycover Guide	32	Z-Axis Middle Wiper Assembly
10	Sub-spindle Base Plate	33	Fixed Bulkhead
11	Sub-spindle Base cover	34	Door Wiper Assembly
12	Motor Cover	35	Z-Axis Upper Wiper Assembly
13	Sub-spindle Encoder Cover	36	Control Box Mounting Bracket
14	Front Union Shroud	37	Rear Sliding Cover
15	Rear Union Shroud	38	Tool Changer Tunnel Panel
16	Upper Motor Arm	39	X-Axis Top Wiper Assembly
17	Little Bracket	40	X-Axis Side Wiper Assembly
18	Conduit	41	X-Axis Tool Changer Sliding Cover
19	Encoder Mounting Bracket	42	Tool Changer Splash Shield
20	Lower Motor Arm	43	X-Axis Drip Channel
21	Lower Heat Shield	44	Right Rear Lifting Bracket
22	Heat Shield	45	Right Front Lifting Bracket
23	Fan Shield	46	Left End Lifting Bracket