

ITEM NO.	DESCRIPTION	QTY.
1	RIGHT WING GUARD	1
2	LEFT WING GUARD TL-1CE	1
3	FRONT GUTTER TL-2CE	1
4	CONTROL SUP CVR TL-2CE	1
5	REAR GUARD TL-2CE	1
6	BULKHEAD TL-2CE	1
7	BACK GUTTER TL-2CE 24/P	1
8	FBHCS 1/4-20 X 1/2 SLF-TP W/LOCTITE PATCH	6
9	BLOWGUN PISTOL GRIP 1/4NPTF	1
10	BRACKET AIR NOZZLE	1
11	SPND BELT GUARD TL-2	1
12	V-TRACK TL-2CE GUARD & VTC	1
13	RAIL SPACER	8
14	BRACKET CONDUIT GROMMET	1
15	CABLE CLAMP BOTTOM BRACKET	1
16	LATCH SPRING SL-10 100/BOX	
17	ANGLE BRACKET	1
18	PUSH BAR TL-1CE 50/BOX	2
19	DOOR STOP TL-1/2 CE	1
20	TERMINAL BRACKET TL-1CE	1
21	TOP ROLLER GUIDE TL-2CE	1
22	SHEAR GUSSET	1
23	SWARF BARRIER	1
24	HOUSING CHIP COLLECTOR	1
25	DOOR R/U CHIP COLLECTOR	1
26	GASKET COOLANT COLLECTOR HOUSING SL-20/3	1
27	SWARF WIPER	1
28	BHCS 10-32 X 3/8 TORX T-25 ZINC PLATE	12
29	FBHCS 1/4-20 X 1/2 SLF-TP W/LOCTITE PATCH	33
30	BUTTON BUMPER 1/2 X 9/16 ACCURATE 4079-1	2
31	BUMPER, NITRILE .50 DIA X .25	3

SHEET 1 OF 5

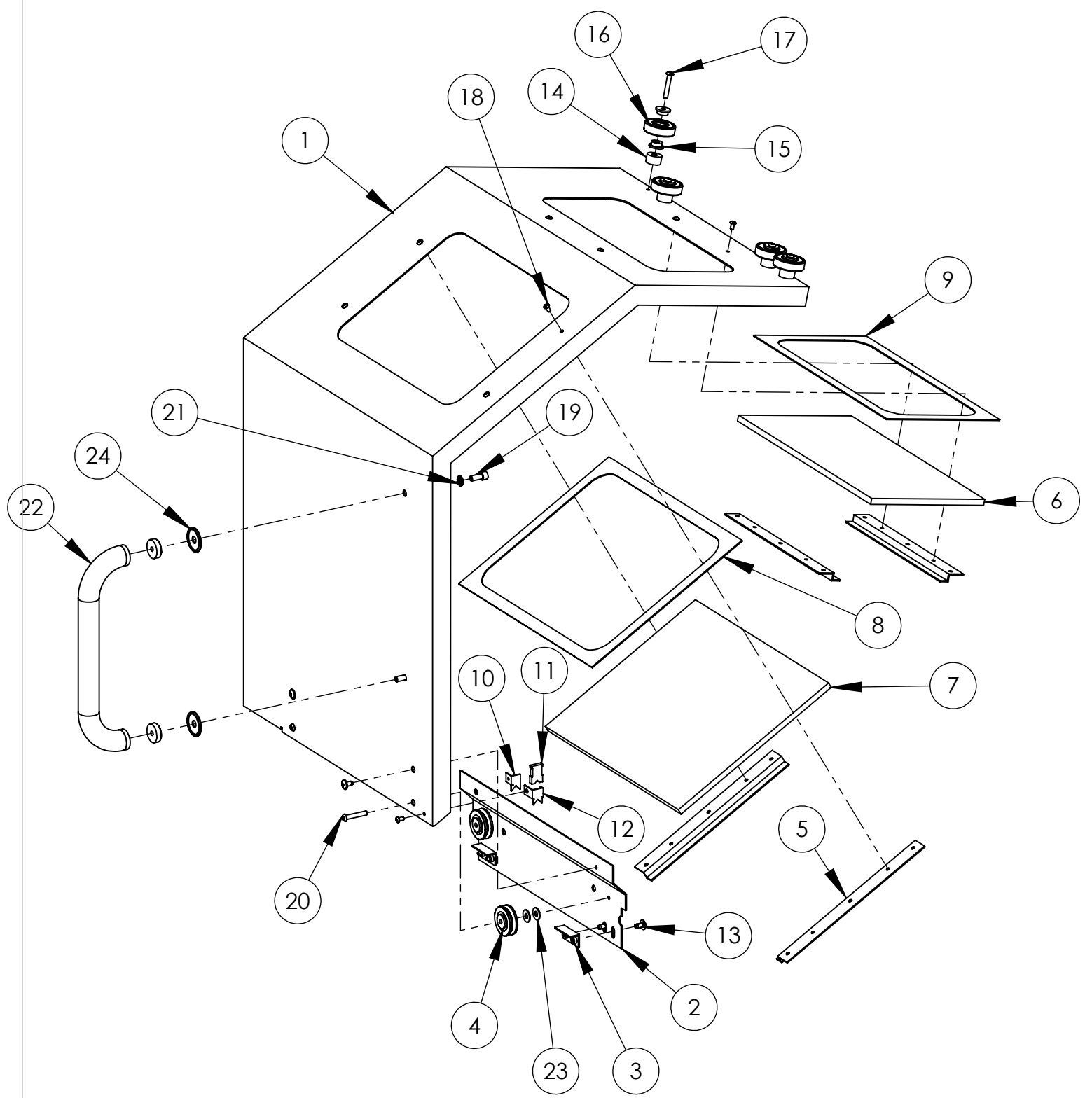
DESCRIPTION

TL-2 ENCLOSURE

EFFECTIVE DATE

SEPT-2005

SAP DOC NO./VER: 1000007392/01



DEATIL A

ITEM NO.	DESCRIPTION	QTY.
1	LEFT DOOR TK-1/2 CE 8/PALLET	1
2	LOWER WHEEL MOUNT 50/BOX	1
3	DOOR GUIDE RETAINER	2
4	BEARING #3 V SINGLE ROW SEALED	2
5	WINDOW RETAINER TL	4
6	WINDOW TOP TL-1CE	1
7	WINDOW FRONT TL-1CE	1
8	GASKET FRONT WINDOW TL-1CE	1
9	GASKET TOP WINDOW TL-1CE	1
10	INNER FELT RETAINER LATHE DOOR	1
11	FELT WIPER LATHE DOORE	1
12	OUTER FELT RETAINER LATHE DOOR 100/BOX	1
13	FBHCS 1/4-20 X 1/2 SLF-TP W/LOCTITE PATCH	7
14	SPACER CAM FOLLOWER	1
15	TOP DOOR SPACER	2
16	R BRG RAD BALL M17-47-14 DEEP GRV SEALED	1
17	BHCS 1/4-20 X 1 1/2	1
18	BHCS 10-32 X 3/8 TORX T-25 ZINC PLATE	9
19	SHCS 5/16-18 X 3/4 DOMESTIC ONLY	2
20	BHCS 1/4-20 X 1 1/2	2
21	WASHER 5/16 SPLT LOCK PLT	2
22	HANDLE DOOR CHROME	1
23	WASHER 1/4 FLAT USS PLT	4
24	FERRULE DOOR HANDLE	2

SHEET 2 OF 5

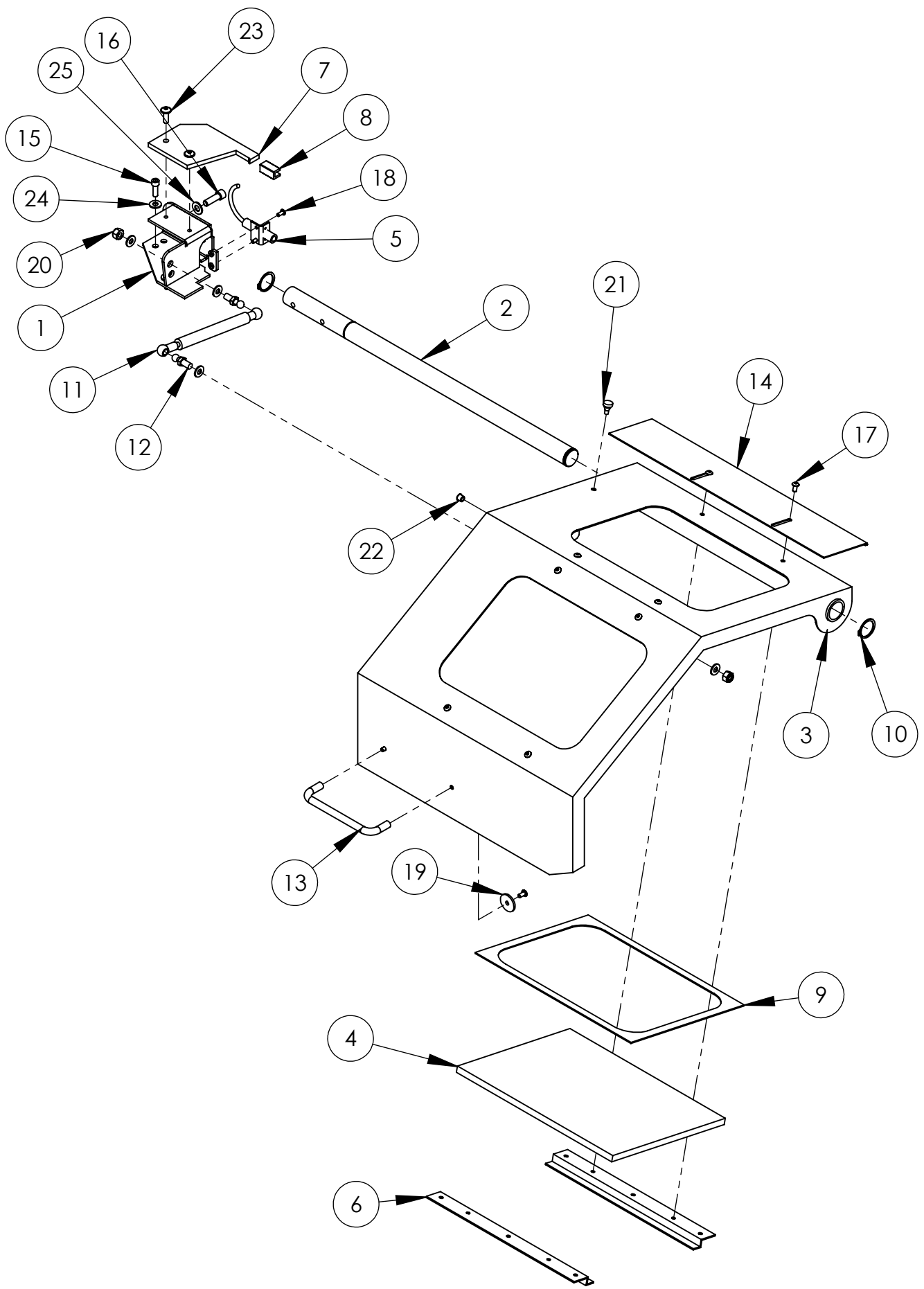
DESCRIPTION

EFFECTIVE DATE

TL-2 ENCLOSURE

SEPT-2005

SAP DOC NO./VER: 1000007392/01



DETAIL B

ITEM NO.	DESCRIPTION	QTY.
1	CHUCK GUARD HINGE BRACKET	1
2	CHUCK GUARD HINGE PIN	1
3	CHUCK GUARD TL-1/2	1
4	WINDOW TL-1/2/3	2
5	PROX SW, NC 2WR 1.0M W/BRKT	1
6	WINDOW RETAINER TL	4
7	STOP PLATE TL-3 USED ON CHUCK GRD	1
8	WEAR STRIP TOP	1
9	WINDOW GASKET TL	2
10	RTNG RING 1.000 SH TRU-ARC N5100-1	2
11	GSX GAS SPRING 40 lbs, GGS43-040-1HA GUD, SHAFT	1
12	BALL STUD, GAS SPRING, BS101-02HA GUD	2
13	HANDLE CHUCK GUARD 3/8 DIA X 5.0 C	1
14	SWARF SHIELD	1
15	SHCS 1/4-20 X 3/4 W/PATCHZINC PLATED	3
16	SHCS 5/16-18 X 1 W/BLUE LOCTITE	2
17	BHCS 10-32 X 3/8 TORX T-25 ZINC PLATE	10
18	BHCS 8-32 X 3/8	2
19	WASHER #10 FLAT 1 OD	2
20	NUT 5/16-18 NYLON LOCK	2
21	BUMPER NITRILE .50 DIA X .25	1
22	PLUG DOME .312 DIA BLACK MAX .062	1
23	FBHCS 1/4-20 X 3/4 W/LOCTITE PTCH	2
24	WASHER 1/4 FLAT A325 ZINC-PLATED	7
25	WASHER 5/16 FLAT A325	2

SHEET 3 OF 5

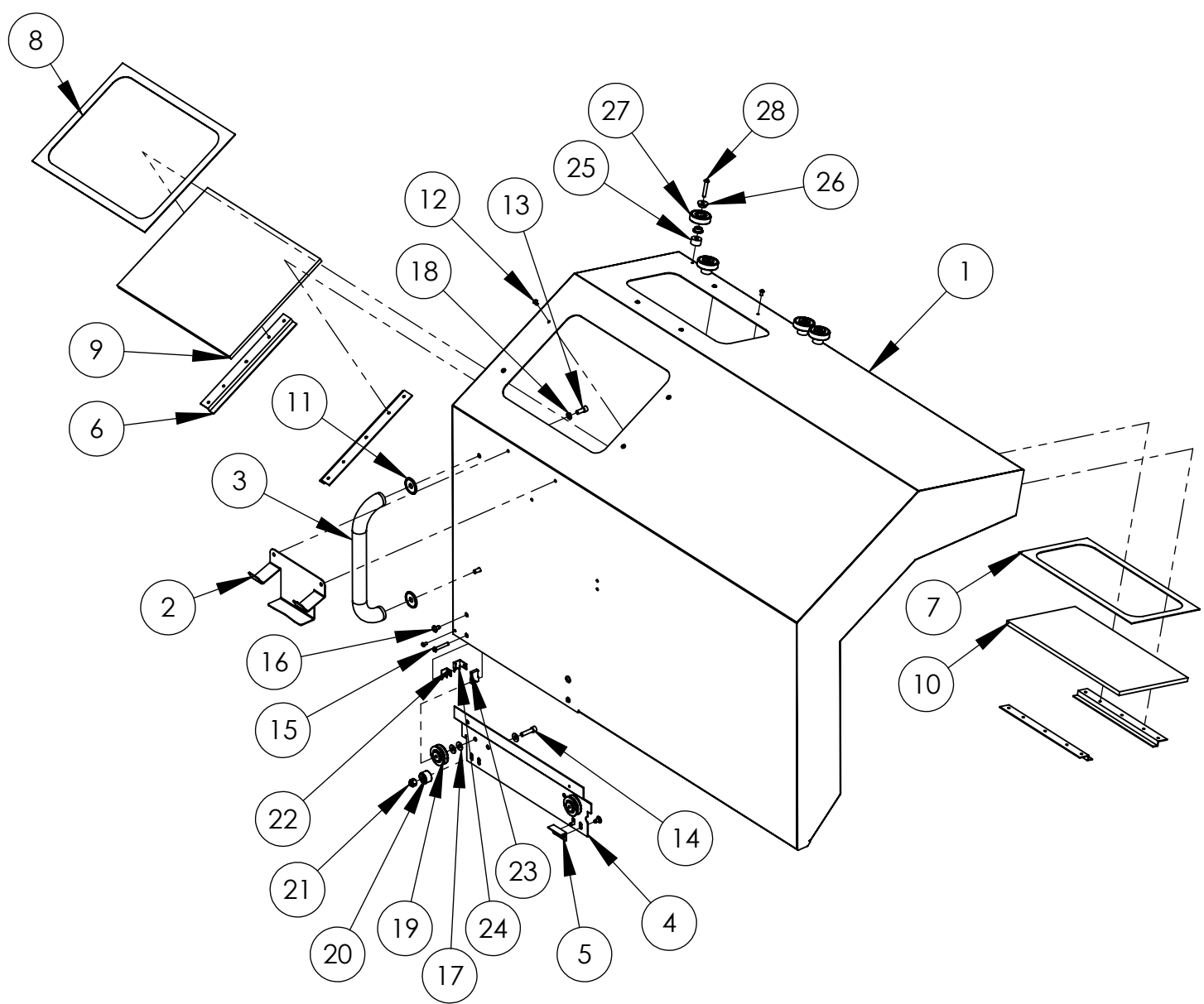
DESCRIPTION

TL-2 ENCLOSURE

EFFECTIVE DATE

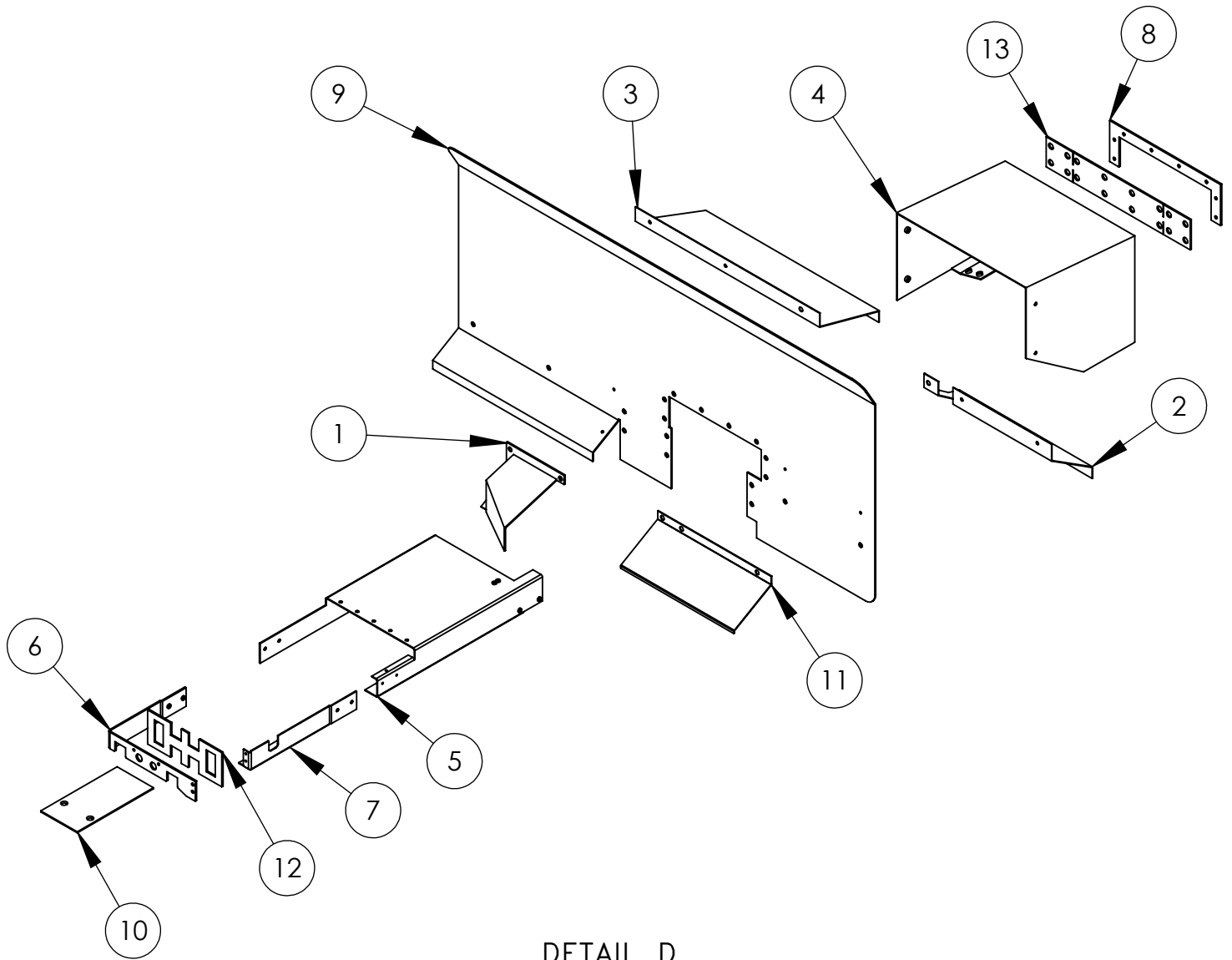
SEPT-2005

SAP DOC NO./VER: 1000007392/01



DETAIL C

ITEM NO.	DESCRIPTION	QTY.
1	25-6791F RIGHT DOOR TL-2CE	1
2	CHUCK KEY HOLDER TL	1
3	HANDLE DOOR CHROME	1
4	LOWER WHEEL MOUNT	1
5	DOOR GUIDE RETAINER	1
6	WINDOW RETAINER TL	4
7	GASKET TOP WINDOW TL-1CE	1
8	GASKET FRONT WINDOW	1
9	WINDOW FRONT TL-1CE	1
10	WINDOW TOP TL-1CE	1
11	FERRULE DOOR HANDLE	2
12	BHCS 10-32 X .38 LG TORX	9
13	SHCS 5/16-18 X 3/4 DOMESTIC ONLY	2
14	SHCS 5/16-18 X 1 1/4 DOMESTIC ONLY	1
15	BHCS 1/4-20 X 1 1/2	2
16	FBHCS 1/4-20 X 1/2 SLF-TP W/LOCTITE PATCH	5
17	WASHER 1/4 FLAT USS PLT	5
18	WASHER 5/16 SPLT LOCK PLT	2
19	BEARING #3 V SINGLE ROW SEALED	2
20	CAM FOLWR 1.00 HOLW .312 T/C	1
21	NUT 5/16-18 NYLON LOCK	1
22	INNER FELT RETAINER	1
23	FELT WIPER LATHE DOORS F	1
24	OUTER FELT RETAINER LATHE	1
25	SPACER CAM FOLLOWER	1
26	TOP DOOR SPACER	2
27	R BRG RAD BALL M17-47-14 DEEP GRV SEALED	1
28	BHCS 1/4-20 X 1 1/2	1



DETAIL D

ITEM NO.	DESCRIPTION	QTY.
1	SHIELD FRONT LEFT	1
2	COVER REAR B SCREW	1
3	COVER FRONT B SCREW	1
4	X-AXIS MOTOR COVER	1
5	CROSS SLIDE COVER TL-1	1
6	CROSS SLIDE FRONT PLATE	1
7	TOOL CHANGER CABLE ACCESS COVER 20/BOX	1
8	X WIPER RETAINER TL-1 25/BOX	1
9	SADDLE CHIP GUARD 16/PLT	1
10	B SCREW COVER 50/BOX & 1 MAX	1
11	COVER SHLD REAR B SCREW TL-1, TL-2 100/BOX	1
12	X-FRONT WIPER TL-1	1
13	X-WIPER FELT TL-1	1

SHEET 5 OF 5

DESCRIPTION
TL-2 ENCLOSURE

EFFECTIVE DATE
SEPT-2005

SAP DOC NO./VER: 1000007392/01