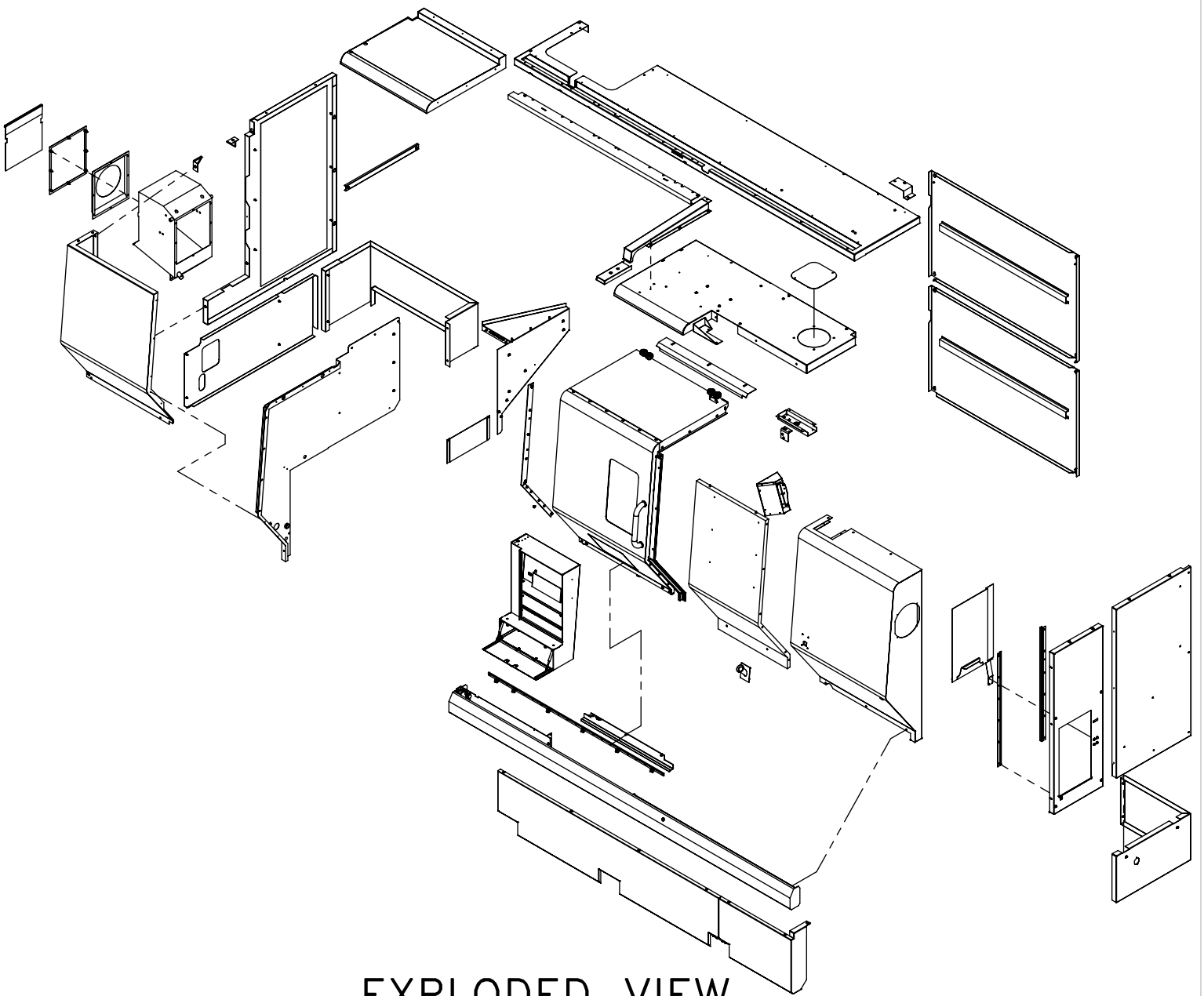
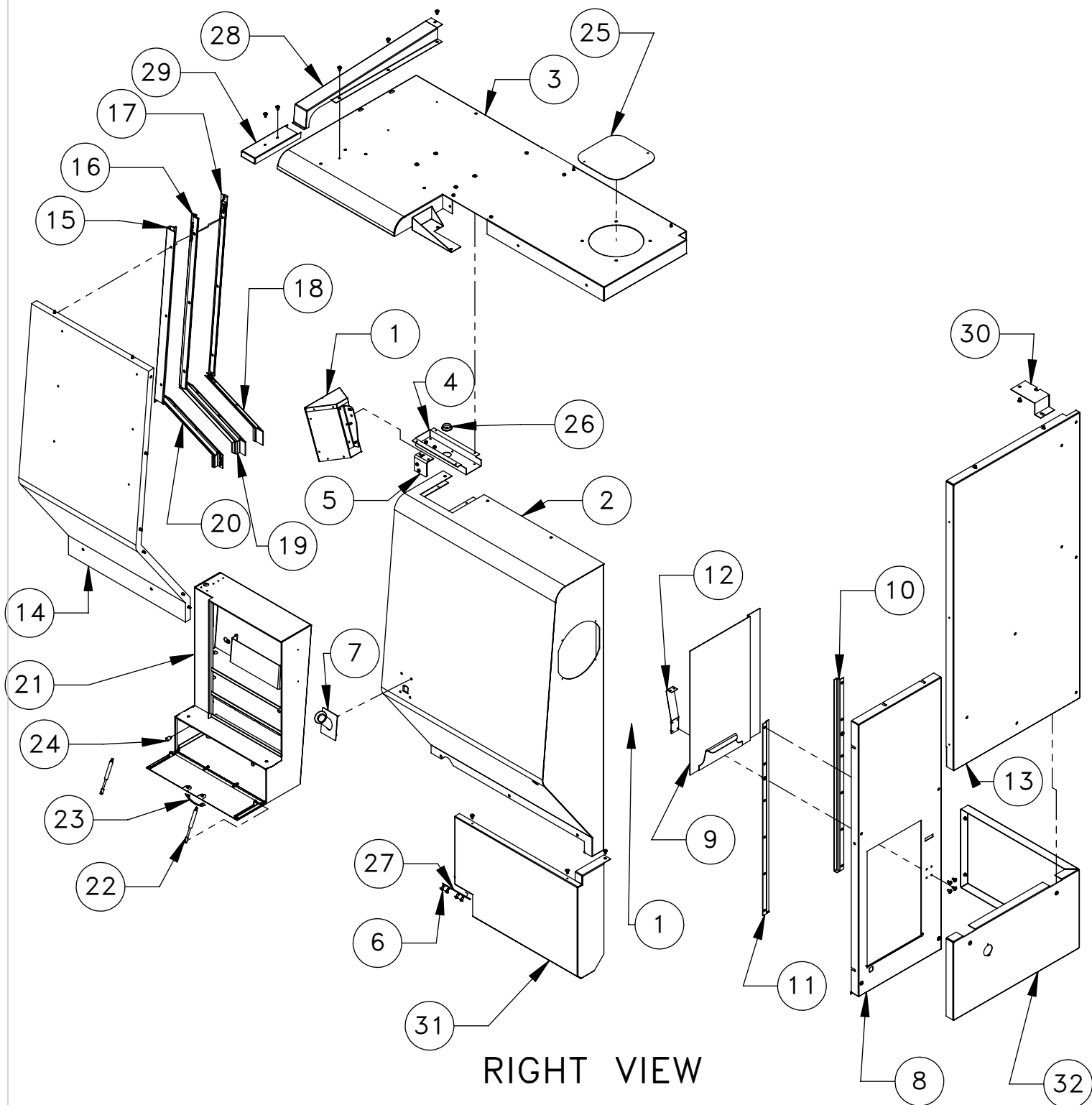


COLLAPSED VIEW



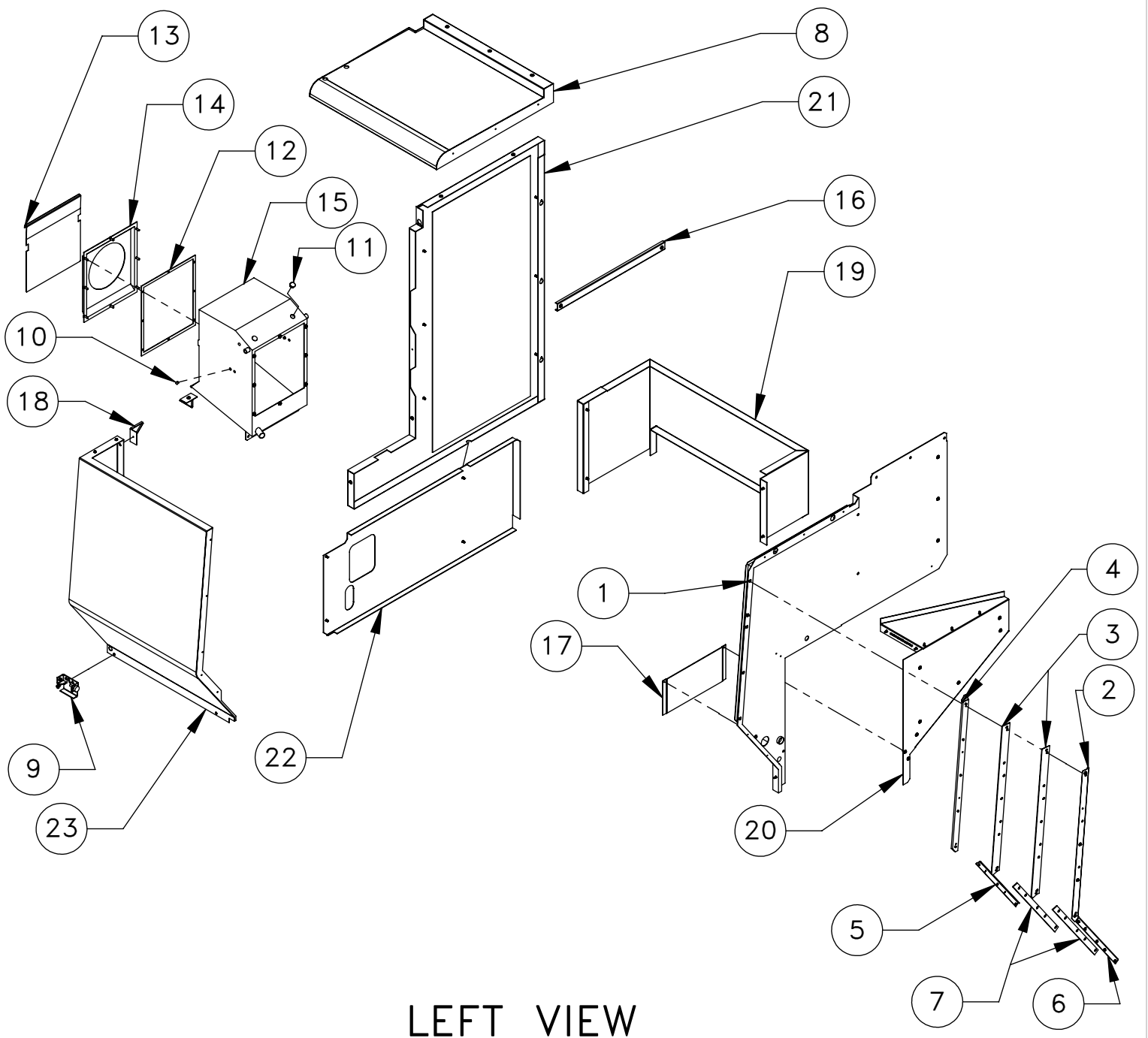
EXPLODED VIEW



ITEM NO.	DESCRIPTION	QTY.
1	SINGLE LAMP WORKLIGHT ASSEMBLY	1
2	PANEL RIGHT FRONT DS30	1
3	RIGHT FRONT ROOF ST30DS	1
4	WORK LIGHT CABLE COVER	1
5	BRACKET ADJUST WORKLIGHT100/BX&5K/PLT	1
6	FBHCS 1/4-20 X 1/2 SLF-TP W/LOCTITE PATCH	63
7	WASH GUN HOLSTER	1
8	RIGHT END FRONT PANEL ST30	1
9	DOOR ST20/S30 CLEAN OUT 30/PLT	1
10	RETAINER RIGHT ST20 CLEANOUT DOOR	1
11	RETAINER LEFT ST20 CLEANOUT DOOR	1
12	NG SAFETY LATCH,SS301 ST20/ST30	1
13	PANEL RIGHT SIDE ST-30	1
14	RIGHT FRONT LEFT PANEL ST30	1
15	AUTODOOR FELT UPPER ST-30	1
16	AUTODOOR FELT UPPER BACKING PLATE S30	1
17	DOOR COOLANT SHIELD UPPER ST-30	1
18	DOOR COOLANT SHIELD LOWER ST-30	1
19	AUTODOOR FELT LOWER ST-30	1
20	AUTODOOR FELT LOWER BACKING PLATE S30	1
21	CABINET GLOVE BOX ASSY 5 DEG RAL7035	1
22	GAS SPRING MICRO ASSY	2
23	HANDLE GLOVE BOX	1
24	BUTTON BUMPER 1/2 X 9/16 ACCURATE 4079-1	3
25	MIST COLLECTOR COVER	1
26	SNAP WIRE BUSHING SPLIT 1.25 HEYC02196SP	1
27	TIE STRAP SKIRT ST-40/40L	1
28	COVER, RIGHT FRONT ROOF, S30	1
29	COVER SWIVEL 5 DEG TUNNEL THRU TOP	1
30	COVER UPPER RIGHT INSIDE ENCLOSURE S30	1
31	R LWR FRONT SKIRT DARK	1
32	R END REAR LWR PNL DRK S30 20/PLT	1

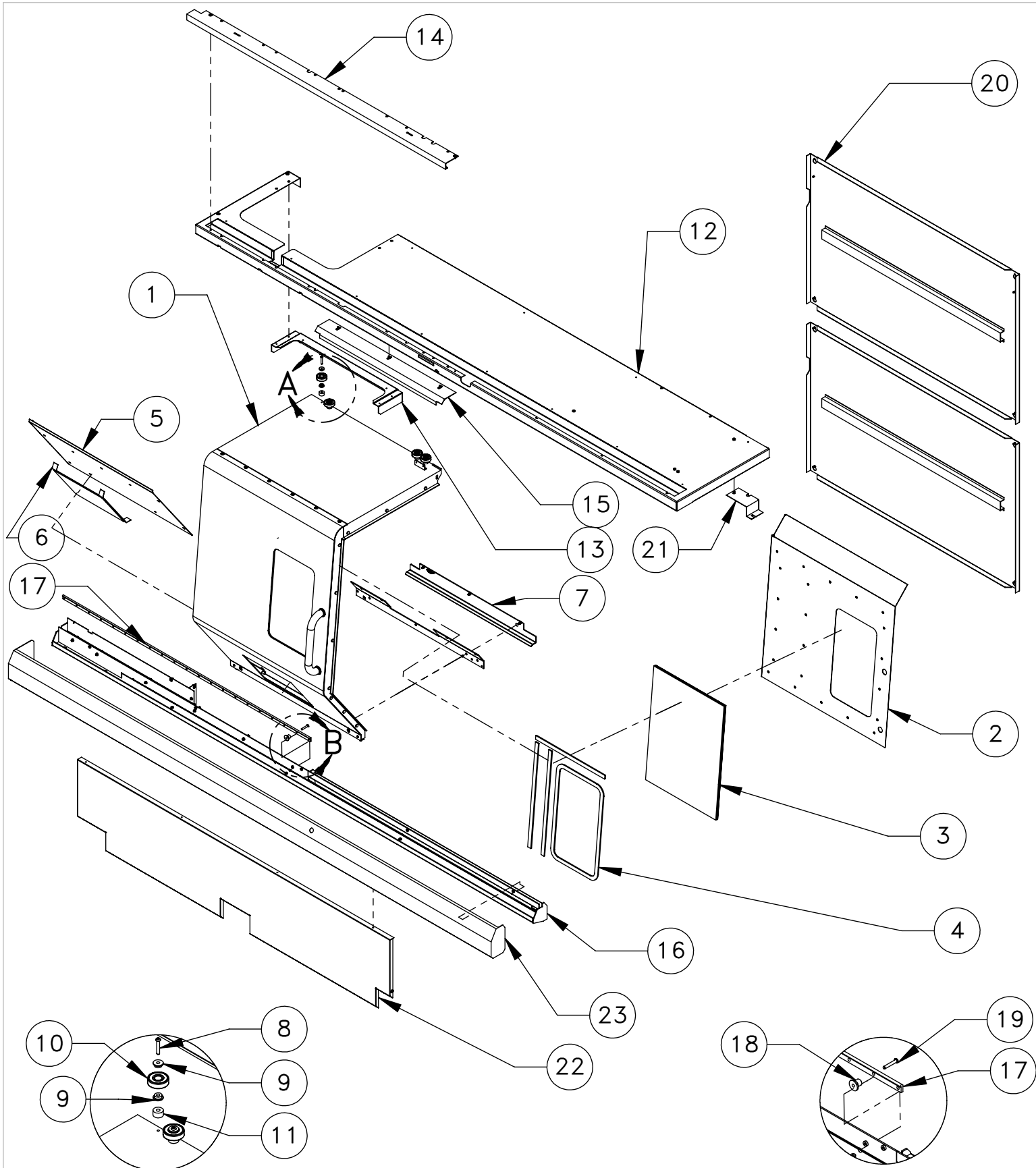
ST-30 ENCLOSURE ASSEMBLY

SHEET 2 OF 4
EFFECTIVE DATE
FEB-2013
SAP DOC NO./VER: 1000007325/01



LEFT VIEW

ITEM NO.	DESCRIPTION	QTY.
1	FIXED BULKHEAD ST30	1
2	DOOR WIPER RETAINER UPPER ST30	1
3	DOOR WIPER FELT UPPER ST30	2
4	DOOR WIPER BASE STRIP UPPER ST30	1
5	DOOR WIPER BASE STRIP LOWER ST20/30	1
6	DOOR WIPER RETAINER LOWER ST20/30	1
7	DOOR WIPER FELT LOWER ST-20/ST-30	2
8	LEFT FRONT ROOF ST30 10/PLT	1
9	ST DOOR SHIPPING KIT	1
10	PLUG DOME .375 DIA BLACK MAX .125	4
11	PLUG HOLE .750 DIA BLACK MAX .125	2
12	GASKET COOLANT COLLECTOR ST30	1
13	CLNT COLL DOOR DARK	1
14	COOLANT COLLECTOR PANEL	1
15	COOLANT COLLECTOR, S30	1
16	BRACE, ROOF, CONTROL ST30	1
17	SHIELD LOWER SPNDL HEAD ST30	1
18	MOTOR CORNER FILLER S30 48/12X12X18" BOX	2
19	SKIRT LEFT BACK CORNER ST30	1
20	FIXED BULKHEAD LOWER RIGHT ST30	1
21	PANEL LEFT END S30	1
22	HPU SIDE COVER DARK	1
23	25-11549B PANEL LEFT FRONT S30	1



DETAIL A
SCALE 2 : 22.5

DETAIL B
SCALE 2 : 22.5

MIDDLE VIEW

ITEM NO.	DESCRIPTION	QTY.
1	NO PCAT DOOR ASSY S30	1
2	DOOR WINDOW RETAINER	1
3	WINDOW ST-20 30 40	1
4	3/4" X 3/16" VINYL FOAM TAPE	2
5	NO PCAT LWR DOOR LINER ST30	1
6	PCAT DOOR FILLER DARK	1
7	LOWER DOOR RETAINER ST20/ST30	1
8	BHCS 1/4-20 X 1 1/2	4
9	TOP DOOR SPACER	8
10	R BRG RAD BALL M17-47-14	4
11	SPACER CAM FOLLOWER	4
12	REAR ROOF ST30	1
13	BRIDGE, REAR ROOF PANEL, ST-20	1
14	TOP DOOR RETAINER	1
15	DOOR DRIP GUARD ST20/SS/ST30	1
16	FRONT RAIL	1
17	V-RAIL BWC T3-6075-21	1
18	RAIL SPACER	6
19	BHCS 1/4-20 X 1 1/2	6
20	CENTER BACK PANEL	2
21	COVER UPPER RIGHT INSIDE ENCLOSURE S30	1
22	BOTTOM FRONT SKIRT ST30 DARK	1
23	TOP FRONT SKIRT ST30 BLACK	1

SHEET 4 OF 4

EFFECTIVE DATE

ST-30 ENCLOSURE ASSEMBLY

FEB-2013

SAP DOC NO./VER: 1000007325/01