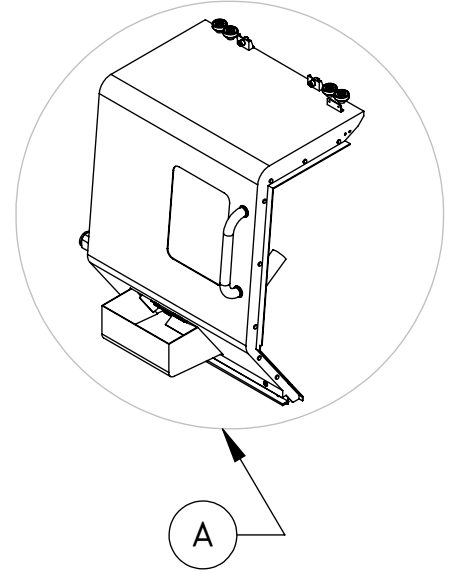


ITEM NC	DESCRIPTION	QTY.
1	NUT 7/16-20 HEX	1
2	NUT 7/16-20 JAM	1
3	FITG LBO-5/32 X NPT-1/8-M X 9	2
4	SHCS 1/4-20 X 1 1/2	1
5	WASHER 1/4 FLAT A325	1
6	AIR CYL 1.5 X 4	1
7	CYL PIN 3/8 X .46 OFFSET SL-20-30T	1
8	MOUNT AIR CYLINDER PCAT	1
9	ROD END WITH BALL STUD, 6072K3	1
10	PCAT MOUNT BLOCK/SPINDLE ST10	1
11	SHCS 1/2-13 X 1 1/2 W/PTH	2
12	BUSHING BRONZE 1.507 ID X1.691 OD X 1.00	2
13	COLLAR 1 1/2 SHAFT	2
14	PCAT SHAFT ST10	1
15	GROMMET, 1 1/4 ID X 1 1/2 OD	1
16	RTNG RING 1.500 SH TRU-ARC 5100-150	5
17	PCAT PIVOT ARM ST10	1
18	PCAT CHUTE ST10	1
19	PCAT CHUTE DOOR ST10 15/18X18X12" BO	1
20	EXTRACTOR BUSHING (WAS 20- 9256	2
21	WAVE WASHER .734 O.D. .531 I.D. 4/	6
22	WASHER 7/16 FLAT SAE PLT	2
23	FBHCS 1/4-20 X 3/4 W/LOCTITE PTC	2
24	PCAT BIN DARK ST10	1
25	GASKET, PCAT BIN/DOOR ST10	1
26	PCAT LWR DOOR LINER ST10	1
27	PCAT DISCHARGE COVER ST10	1
28	PCAT MOUNT SPNDL BLOCK/PIVOT BLOCK ST1	1
29	PCAT PIVOT ARM	1
30	RAIL SPACER	3
31	BHCS 1/4-20 X 1 1/4 18-8 SS	3
32	WASHER 1/4 FENDER PLT 1 OD	3
33	SHCS 3/8-16 X2 1/2 BLKOX	2



DESCRIPTION

ST-10 LATHE PART CATCHER

EFFECTIVE DATE

JULY-2010

SAP DOC NO./VER: 1000006720/01