

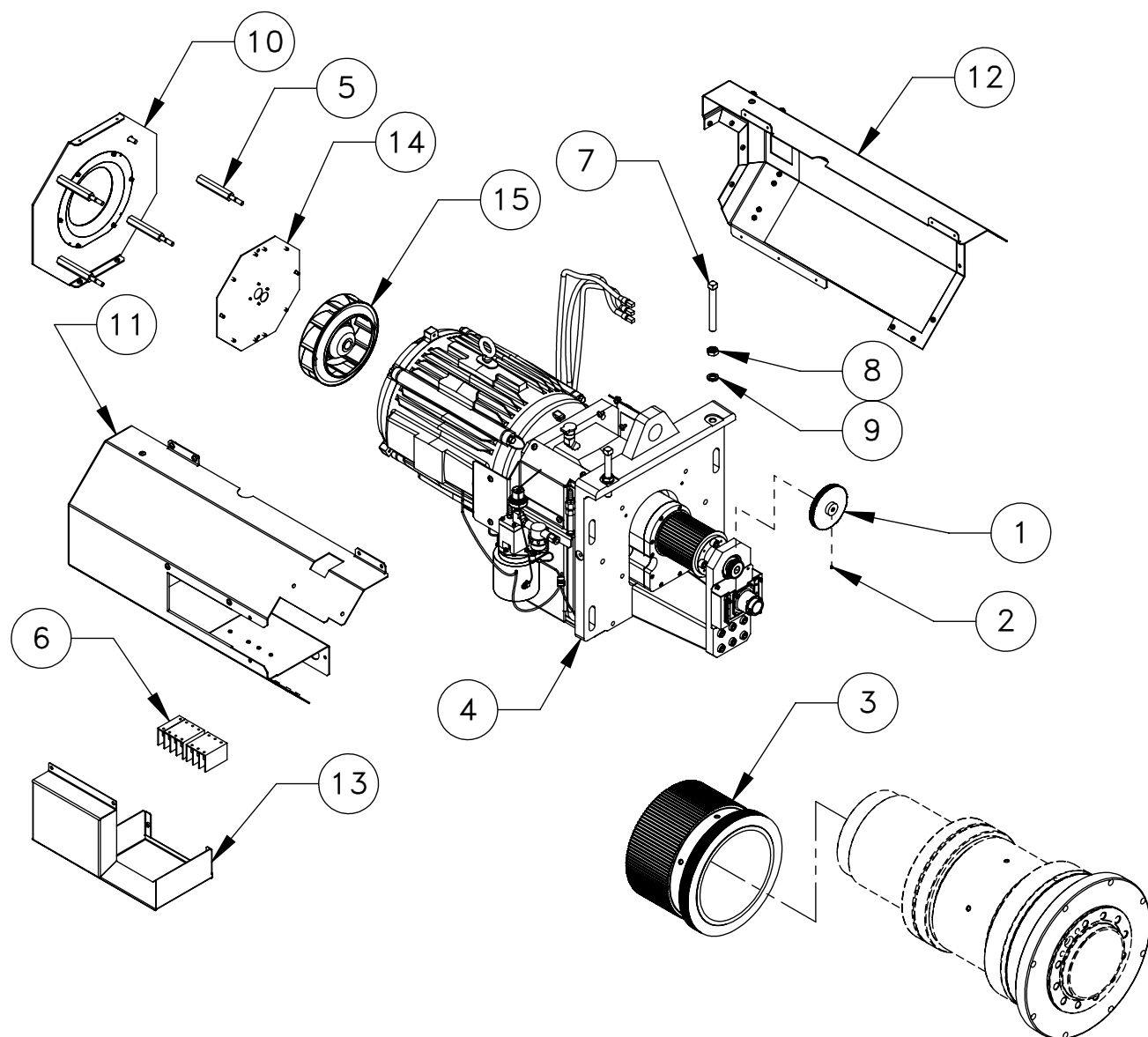
ITEM NO.	DESCRIPTION	QTY.
1	ENCODER SPRING MOUNT 50T GEARBOX 50/BX	1
2	SPKT HTD P121-3M-09-.375	1
3	MOUNT SPNDL ENCODER ST-40	1
4	HAAS MAGNETIC ENCODER (SHAFTED)	1
5	RETAINER FRNT SPNDL RING ST-40BB	1
6	SPINDLE HEAD MACHINING ST-40BB	1
7	FITG POLY-3/8 X NPT-1/4-M STR	1
8	FITG LBO-1/4 X NPT-1/8-M X 90 AIR ONLY	1
9	NUT 1/2-13 HEX PLT	1
10	NOZZLE, DOUBLE AIR/OIL MIST 5.35	1
11	CLAMP SPROCKET BACK SPNDL BRGS ST-40BB	1
12	SHAFT SPINDLE ST-40BB	1
13	O-RING 2-458	1
14	MOTOR MOUNT MACHINED, ST-40	1
15	TERM BLK 6 POLE 115A #2 - #14 BARRIE	1
16	OIL GEAR PUMP ASSY P/S MOLEX CONNE	1
17	SHROUD, SPINDLE MOTOR, ST-40/40L, NON XP	1
18	SHROUD, SPINDLE MOTOR, ST-40/40L, NON XP	1
19	J BOX MOTOR SHROUD ST-40	1
20	FAN BAFFLE ST-40 SPINDLE MOTOR	1
21	SHROUD MOUNT PLATE ST-40	1
22	CAP CLAMP ST-40	1
23	EXHAUST CHUTE MOTOR SHROUD ST-40	1
24	CAP J BOX ST-40	1
25	FAN PLATE, SPINDLE ST-40	1
26	IMPELLER FAN BACKWARD CURVED PLASTIC	1
27	SHSS 5/8-11 X 5 LG STEEL SQUARE HEAD SET	3
28	NUT 5/8-11 HEX PLT	2
29	WASHER 5/8 SPLT LOCK PLT MED	2
30	DRV BELT PCGT 8MGT-1792-36 MS3	3
31	DRV BELT HTD 3MX9 445-3M-09	1
32	CLAMP ENCODER SPRING MNT INLINE/SL-20	1
33	SPRING EXT. .29 OD X 1.5L	1
34	SSS 8-32 X 1/4 HALF DOG MCMaster 92505A	1
35	SHIM .2290 SPINDLE HEAD ST40	2
36	SHCS 1-8 X 4 1/2	4
37	WASHER 3/4 STEEL FLAT 1/4TH X 1 5/8 OD	4

SHEET 1 OF 2

DESCRIPTION
ST-40 SPINDLE HEAD BIG BORE ASSEMBLY

EFFECTIVE DATE
DECEMBER-2010

SAP DOC NO./VER: 1000006828/01



XP-40 OPTION

ITEM NO.	DESCRIPTION	QTY.
1	SPKT HTD P121-3M-09-.375	1
2	SSS 8-32 X 1/4 HALF DOG MCMASTER 92505A	2
3	CLAMP SPROCKET BACK SPNDL BRGS ST-40BB	1
4	MOTOR MOUNT MACHINED, ST-40	1
5		4
6	TERM BLK 1POLE PDB STUD 1/4 - 5/8 STUD	1
7	SHSS 5/8-11 X 5 LG STEEL SQUARE HEAD SET	2
8	NUT 5/8-11 HEX PLT	2
9	WASHER 5/8 SPLT LOCK PLT MED	2
10	FAN BAFFLE ST-40 XP SPINDLE MOTOR	1
11	SHROUD, SPINDLE MOTOR, ST-40/40L XP	1
12	SHROUD, SPINDLE MOTOR, ST-40/40L XP	1
13	J BOX MOTOR SHROUD ST-40 XP	1
14	FAN PLATE, SPINDLE ST-40	1
15	IMPELLER FAN BACKWARD CURVED PLASTIC	1

SHEET 2 OF 2

DESCRIPTION
ST-40 SPINDLE HEAD BIG BORE ASSEMBLY

EFFECTIVE DATE
DECEMBER-2010

SAP DOC NO./VER: 1000006828/01