

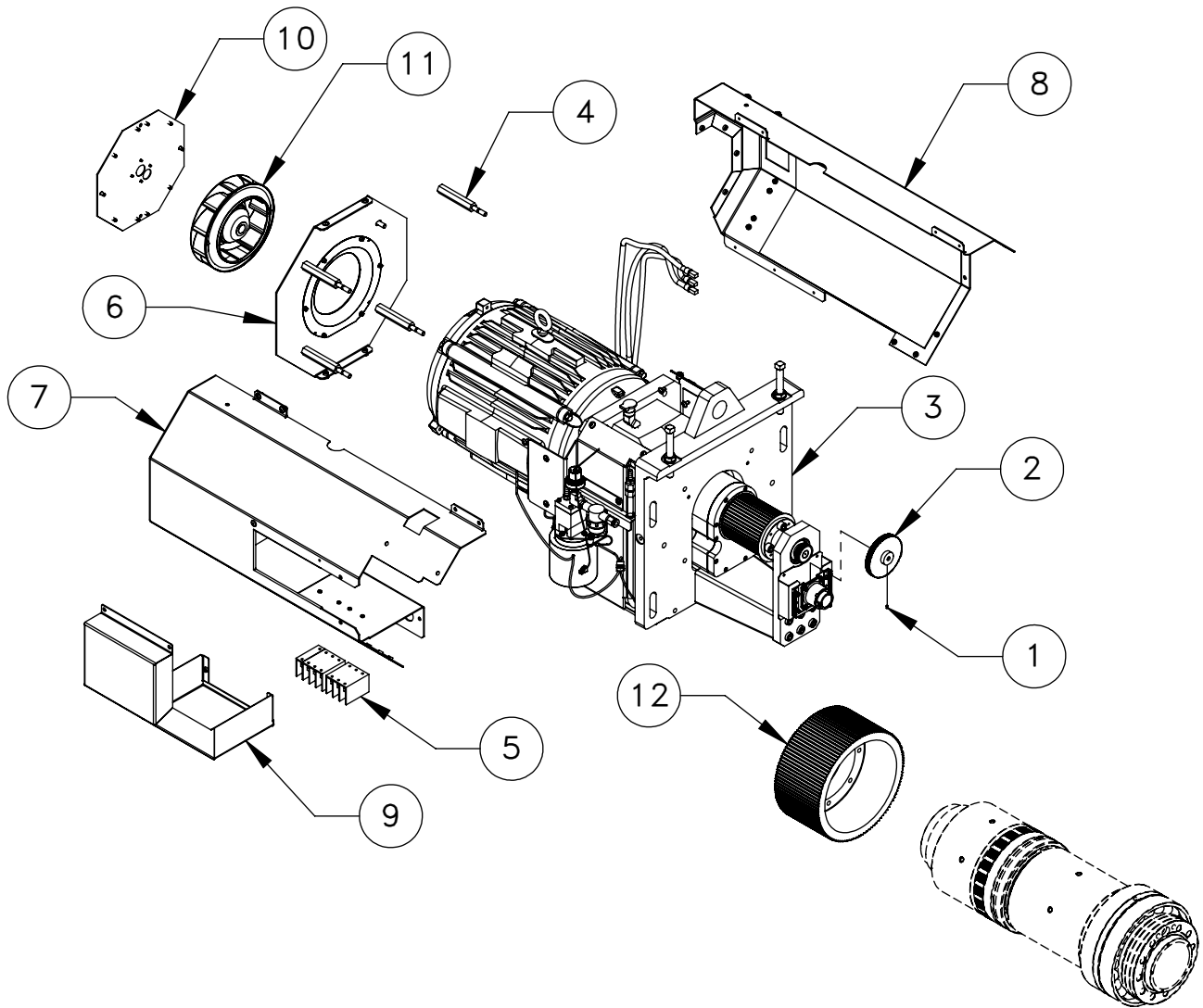
ITEM NO.	DESCRIPTION	QTY.
1	SPINDLE HEAD MACHINING ST-40	1
2	O-RING 2-205 buna	1
3	O-RING 2-458	1
4	SHCS 3/8-16 X 1.5	8
5	RETAINER FRNT SPNDL RING ST-40	1
6	FITG POLY-3/8 X NPT-1/4-M STR	1
7	FITG LBO-1/4 X NPT-1/8-M X 90 AIR ONLY	1
8	NUT 1/2-13 HEX PLT	1
9	NOZZLE, DOUBLE AIR/OIL MIST 7.10	1
10	SHAFT SPINDLE ST-40	1
11	SHCS 3/8-16 X 7/8	1
12	BUTTON DRIVE A8	1
13	SHIM .2290 SPINDLE HEAD ST40	2
14	HAAS MAGNETIC ENCODER (SHAFTED)	1
15	CLAMP ENCODER SPRING MNT INLINE/SL-20	1
16	SPRING EXT .29 OD X 1.5L	2
17	MOUNT SPNDL ENCODER ST-40	1
18	SSS 8-32 X 1/4 HALF DOG MCMASTER 92505A	2
19	SPKT HTD P121-3M-09-.375	1
20	ENCODER SPRING MOUNT 50T GEARBOX 50/BX	1
21	SPKT PCH P121-8M-108 ST-40 SPINDLE	1
22	SHCS 3/8-16 X 1 1/2 W/BLEUE LOCTITE	8
23	MOTOR MOUNT MACHINED, ST-40	1
24	TERM BLK 6 POLE 115A #2 - #14 BARRIE	1
25	OIL GEAR PUMP ASSY P/S MOLEX CONNE	1
26	SHSS 5/8-11 X 5 LG STEEL SQUARE HEAD SET	3
27	NUT 5/8-11 HEX PLT	2
28	WASHER 5/8 SPLT LOCK PLT MED	2
29	SHROUD, SPINDLE MOTOR, ST-40/40L, NON XP	1
30	SHROUD, SPINDLE MOTOR, ST-40/40L, NON XP	1
31	J BOX MOTOR SHROUD ST-40	1
32	FAN BAFFLE ST-40 SPINDLE MOTOR	1
33	SHROUD MOUNT PLATE ST-40	1
34	CAP CLAMP ST-40	1
35	EXHAUST CHUTE MOTOR SHROUD ST-40	1
36	CAP J BOX ST-40	1
37	FAN PLATE, SPINDLE ST-40	1
38	IMPELLER FAN BACKWARD CURVED PLASTIC	1
39	COVER ACCESS MOTOR SHROUD ST-40	1
40	DRV BELT PCGT 8MGT-1792-36 MS3	3
41	DRV BELT HTD 3MX9 445-3M-09	1
42	SHCS 1-8 X 4 1/2	4
43	WASHER 3/4 STEEL FLAT 1/4TH X 1 5/8 OD	4

SHEET 1 OF 2

DESCRIPTION  
ST-40 SPINDLE HEAD ASSEMBLY

EFFECTIVE DATE  
DECEMBER-2010

SAP DOC NO./VER: 1000006761/01



ST-40 XP OPTION

ITEM NO.	DESCRIPTION	QTY.
1	SSS 8-32 X 1/4 HALF DOG MCMASTER 92505A	2
2	SPKT HTD P110-3M-09-.375	1
3	MOTOR MOUNT MACHINED, ST-40	1
4	STANDOFF ENCODER PLATE	4
5	TERM BLK 3POLE PDB STUD 1/4 - 5/8 STUD	2
6	FAN BAFFLE ST-40 XP SPINDLE MOTOR	1
7	SHROUD, SPINDLE MOTOR, ST-40/40L XP	1
8	SHROUD, SPINDLE MOTOR, ST-40/40L XP	1
9	J BOX MOTOR SHROUD ST-40 XP	1
10	FAN PLATE, SPINDLE ST-40	1
11	IMPELLER FAN BACKWARD CURVED PLASTIC	1
12	SPKT PCH P110-8M-108 ST-40 SPINDLE	1

SHEET 2 OF 2

DESCRIPTION

EFFECTIVE DATE

ST-40 SPINDLE HEAD ASSEMBLY

DECEMBER-2010

SAP DOC NO./VER: 1000006761/01