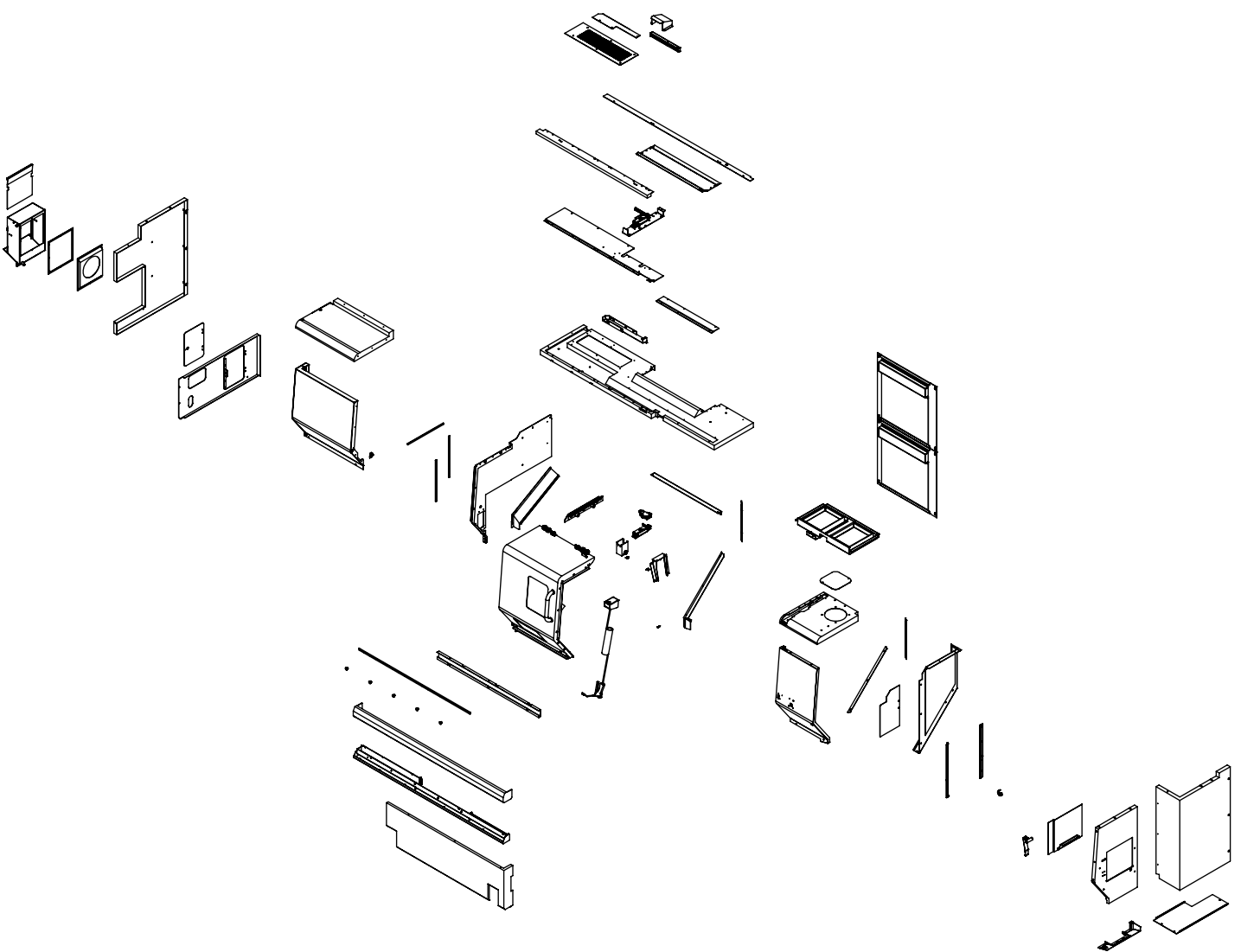
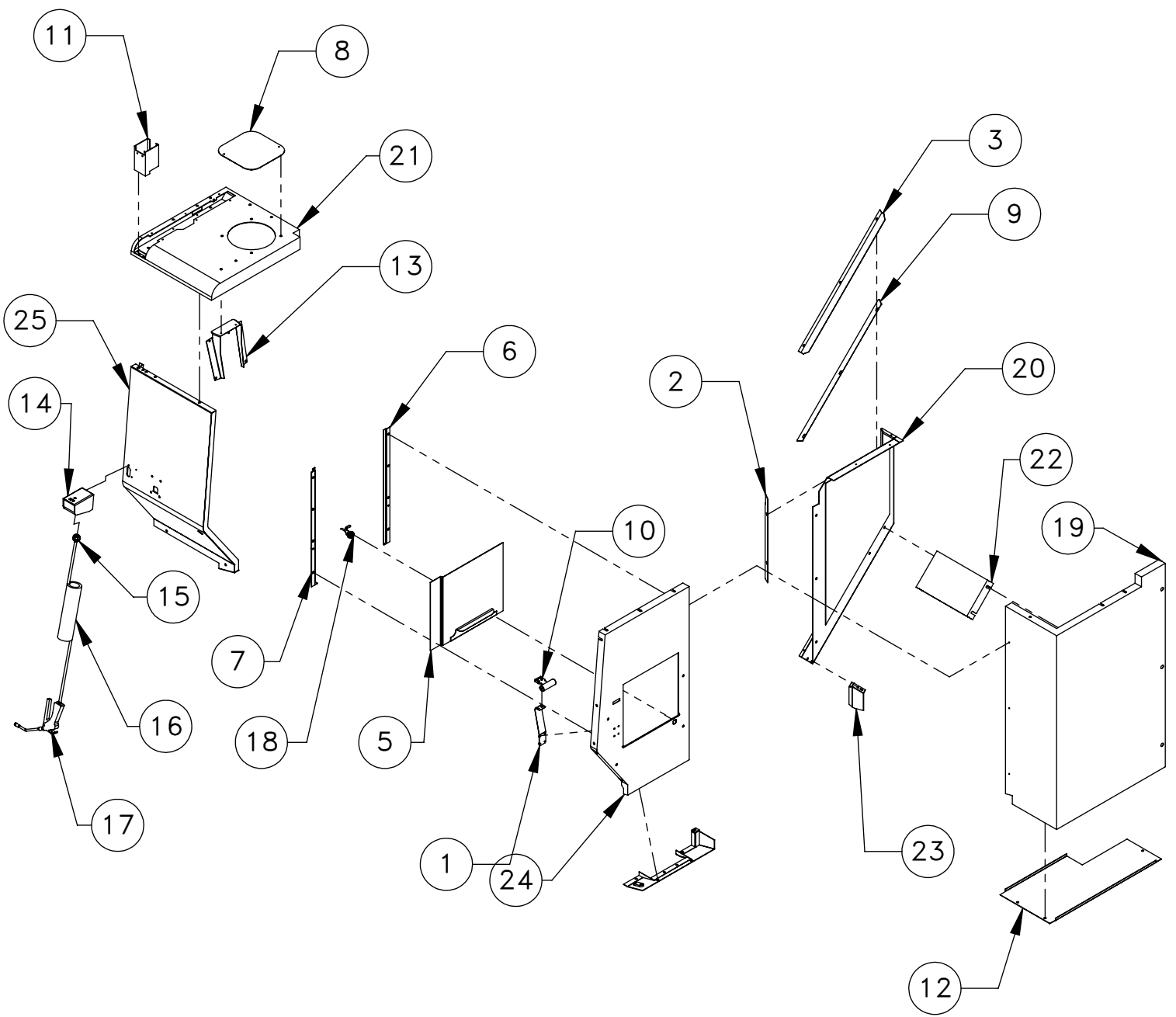


COLLAPSED VIEW



EXPLODED VIEW



RIGHT VIEW

ITEM NO.	DESCRIPTION	QTY.
1	NG SAFETY LATCH,SS301 ST20/ST30	1
2	RIGHT UPPER Z WIPER ST10	1
3	RIGHT LOWER Z WIPER RETNR ST10	1
4	COVER, CHIP CONV CHUTE ST10	1
5	DOOR,LARGE CLEANOUT ACESS ST10/ST10Y	1
6	RETAINER RIGHT CLEANOUT DOOR, ST10	1
7	RETAINER LEFT CLEANOUT DOOR, ST10	1
8	MIST COLLECTOR COVER	1
9	RIGHT LOWER Z WIPER ST10	1
10	SIDE SAFETY PULL HANDLE	1
11	TOP PENDANT MOUNT ST10	1
12	FILLER PANEL LOWER RIGHT	1
13	BRKT TWIN LAMP ST10	1
14	PENDANT SUPPORT BRKT ASSY LOWER ST10	1
15	FITG BKHD NPT-1/4 X .750 DIA	1
16	AIR HOSE COIL 1/4 X 3/8 X 15	1
17	BLOWGUN PISTOL GRIP 1/4NPT INLET 6	1
18	VF SIDE WINDOW KEYED LATCH	1
19	RIGHT END BACK PANEL ST10	1
20	RIGHT FIXED SLD COVER	1
21	RIGHT FRONT ROOF ST10	1
22	BRACKET,WAYCOVER REAR SUPPORT ST10	1
23	FILLER PANEL RIGHT FIXED SLD COVER	1
24	RIGHT END FRONT PANEL ST10	1
25	25-2556B.SLDPRT RIGHT FRONT PANEL ST10	1

SHEET 2 OF 5

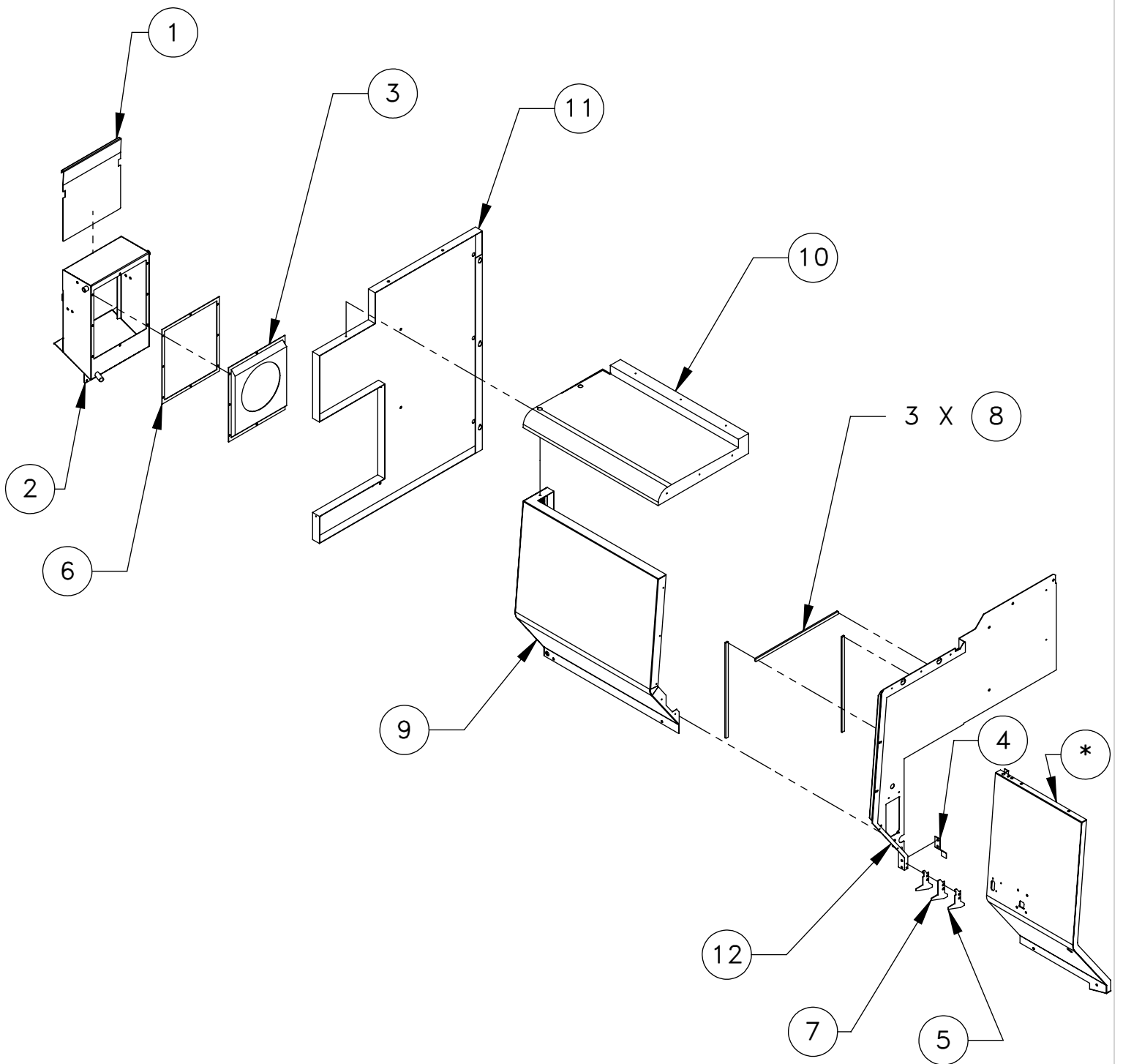
DESCRIPTION

EFFECTIVE DATE

**ST-10 ENCLOSURE**

JAN-2013

SAP DOC NO./VER: 1000006746/01



LEFT VIEW

ITEM NO.	DESCRIPTION	QTY
1	CLNT COLL DOOR DARK	1
2	CLNT COLLECTOR S10	1
3	COOLANT COLLECTOR PANEL	1
4	SHIELD, DOOR FRONT BULKHEAD ST10	1
5	RETAINER, FELT LOWER DOOR BULKHEAD ST10	2
6	GASKET COOLANT COLLECTOR ST30	1
7	RETAINER, FELT TOP ROOF ST-10	1
8	BULKHD SEAL STRIP	3
9	LEFT FRONT PANEL ST10	1
10	LEFT FRONT ROOF ST10	1
11	LEFT END BACK PANEL ST10	1
12	FIXED BULKHEAD ST10	1

SHEET 3 OF 5

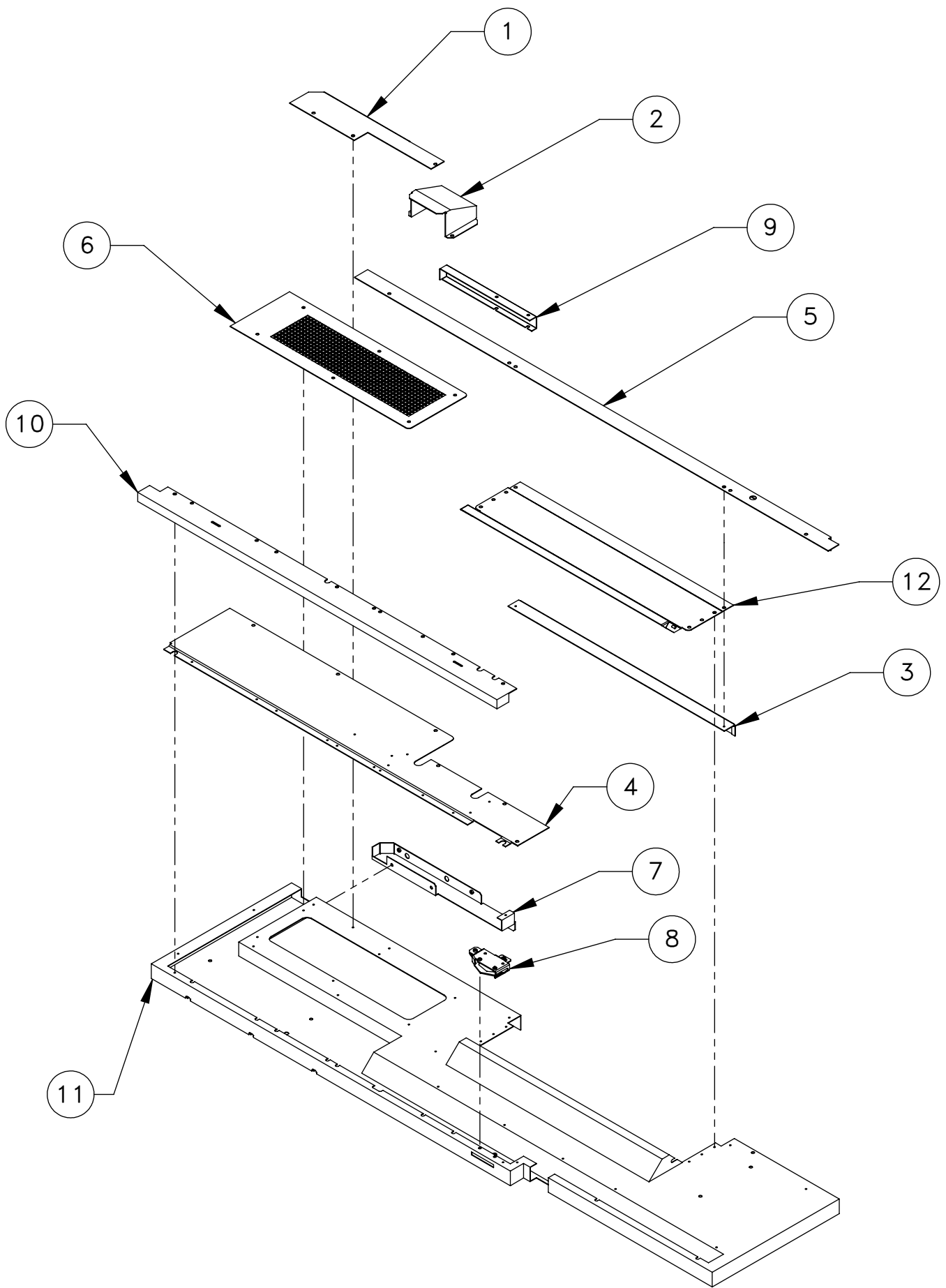
DESCRIPTION

**ST-10 ENCLOSURE**

EFFECTIVE DATE

JAN-2013

SAP DOC NO./VER: 1000006746/01

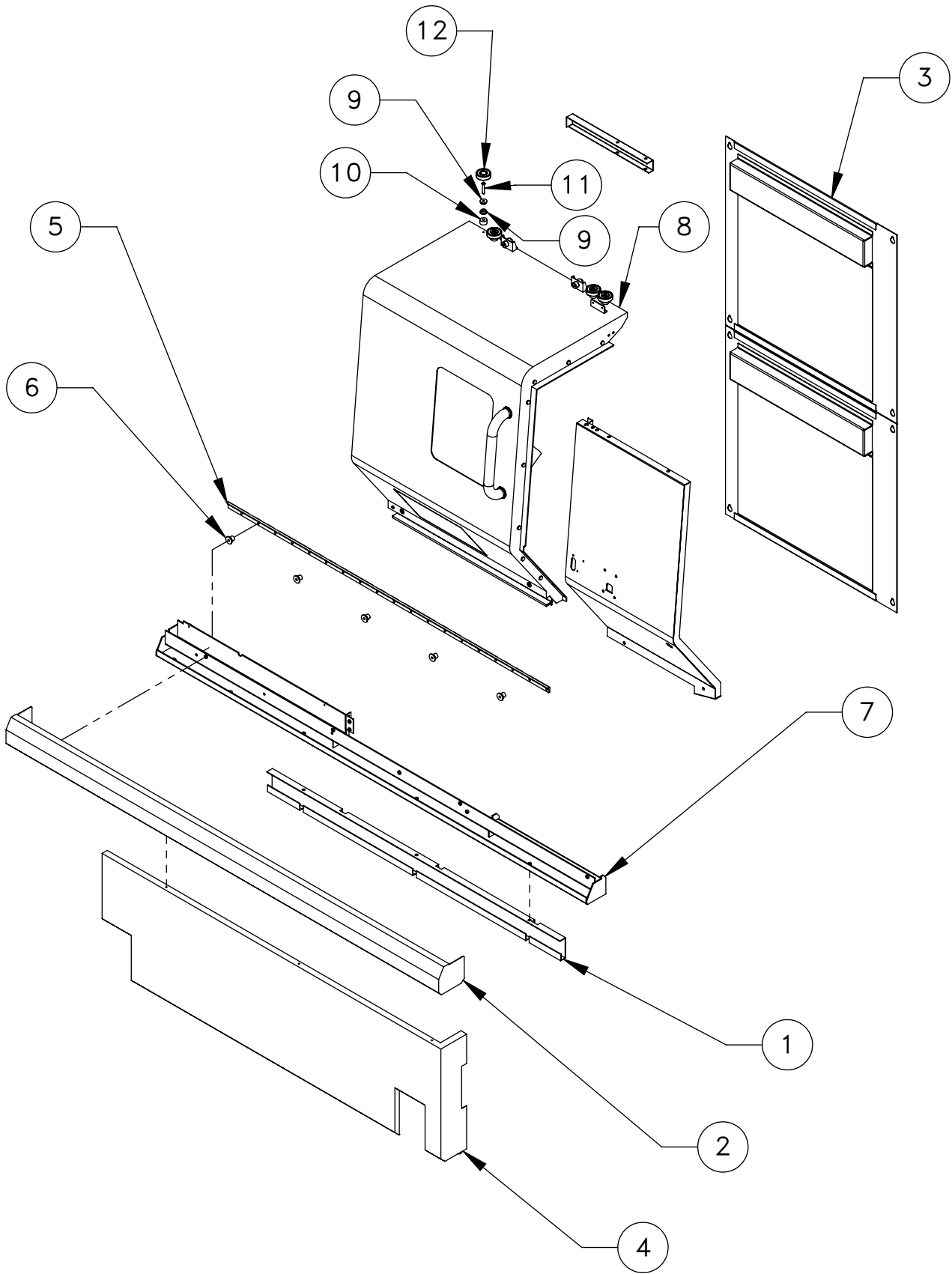


TOP VIEW

ITEM NO.	DESCRIPTION	QTY
1	PENDANT CABLE TRAY CVR ST10	1
2	REAR CABLE COVER ST10	1
3	SHIELD, ROOF TOP ST10	1
4	TOP CABLE COVER LEFT ST10	1
5	Z SLID CVR UPPER RETAINER ST10	1
6	COVER, AIR DUCT TOP ST10	1
7	TOP CABLE CHANNEL ST10	1
8	DOOR DETENT ASSY S20	1
9	REAR Z-SLIDING COVER GUARD ST10	1
10	TOP DOOR RETAINER ST10	1
11	REAR ROOF ST10	1
12	COVER,ROOF SNOUT ST10	1

SHEET 4 OF 5

DESCRIPTION	EFFECTIVE DATE
<b>ST-10 ENCLOSURE</b>	<b>JAN-2013</b>
	<small>SAP DOC NO./VER: 1000006746/01</small>



MIDDLE VIEW

ITEM NO.	DESCRIPTION	QTY.
1	TAILSTOCK HYD HOSE CHANNEL ST10	1
2	TOP FRONT SKIRT ST10 DARK	1
3	CENTER BACK PANEL ST10	2
4	BOTTOM FRONT SKIRT ST10	1
5	V-RAIL BWC T3-5675-19	1
6	RAIL SPACER	5
7	FRONT RAIL ST10	1
8	NO PCAT DOOR ASSY S10	1
9	TOP DOOR SPACER	8
10	SPACER CAM FOLLOWER	4
11	BHCS 1/4-20 X 1 1/2	4
12	R BRG RAD BALL M17-47-14 DEEP GRV SEALED	4