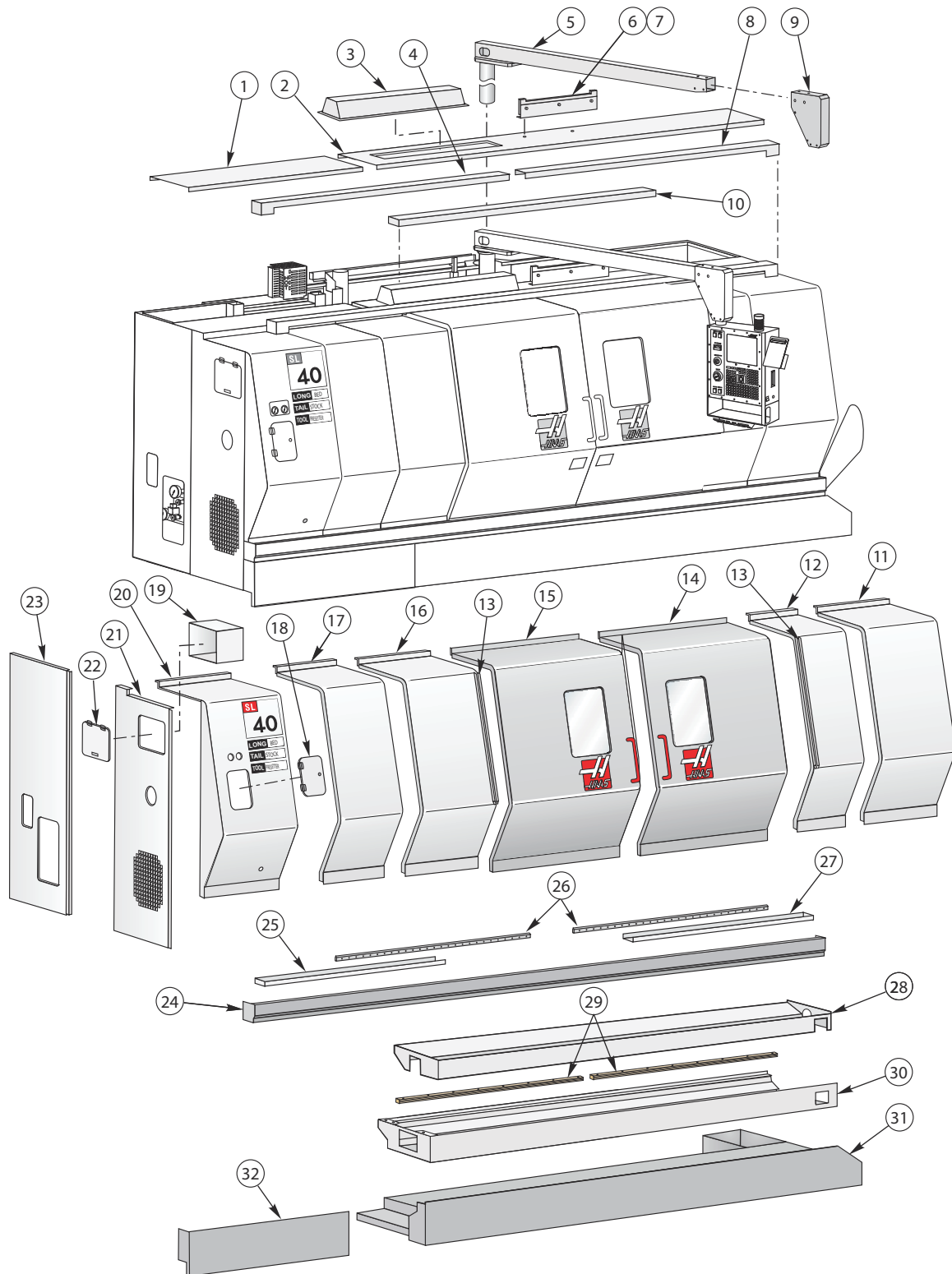
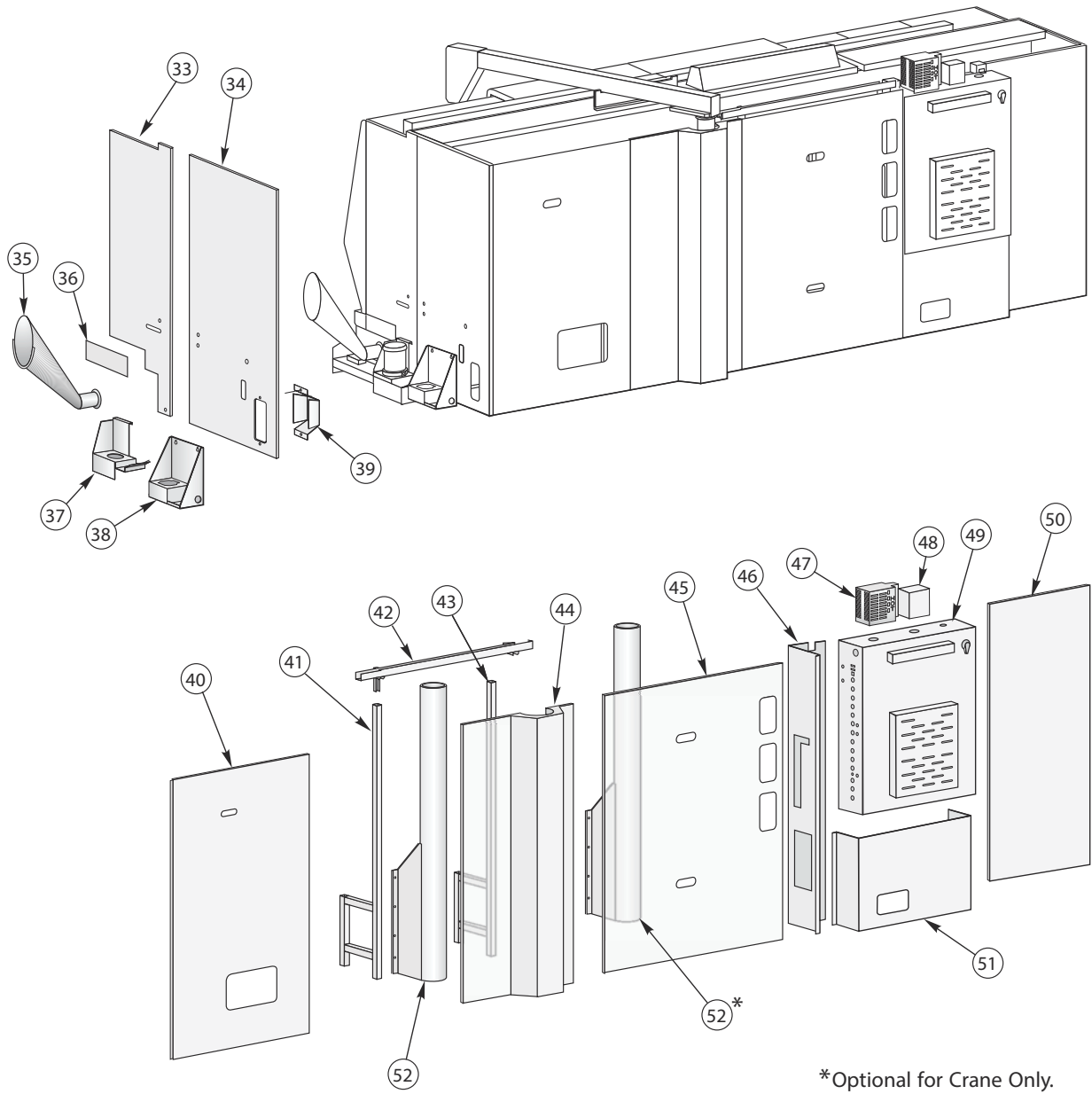




SL-40 - External Enclosure





BACK VIEW

1. Left Top Front Panel
2. Right Top Front Panel
3. Light Fixture Body
4. Left Top Door Mount
5. Pendant Boom Arm
6. Boom Arm Detent
7. Boom Arm Detent Support
8. Right Top Door Mount
9. Pendant Arm End Cover
10. Door Support Bridge
11. Front Right Panel
12. Front Right Middle Panel
13. Drip Channel (2)
14. Right Door
15. Left Door
16. Front Left Middle Panel
17. Front Left Spacer Panel
18. Access Door
Hinges (2)
19. Toolbox
20. Front Left Panel
21. Left End Front Panel
22. Toolbox Door
Hinges (2)
23. Left End Rear Panel
24. Front Beam
25. Left Door Drip Rail
26. Z-Axis Roller V-Track (2)
27. Right Door Drip Rail
28. Chip Auger Pan
29. Lower Tailstock Waycover Guides (2)
30. Chip Tray
31. Coolant Tank
32. Lower Left Front Apron
33. Right Front Panel
34. Right Rear Panel
35. Auger Discharge Chute
36. Discharge Chute Filler
37. Coolant Pump Mount
38. HP Pump Mounting Bracket
39. Tramp Lube Oil Pan Bracket
40. Right Rear Panel
41. Right Back Panel Support
42. Monitor Cable Tray
43. Left Back Panel Support
44. Center Back Panel
45. Back Left Center Panel
46. Control Box Support
47. Regen Assembly
48. J-Box
49. Main Electrical Control Box Assembly
50. Left Back Panel
51. Left Back Lower Panel
52. Boom Support (2)