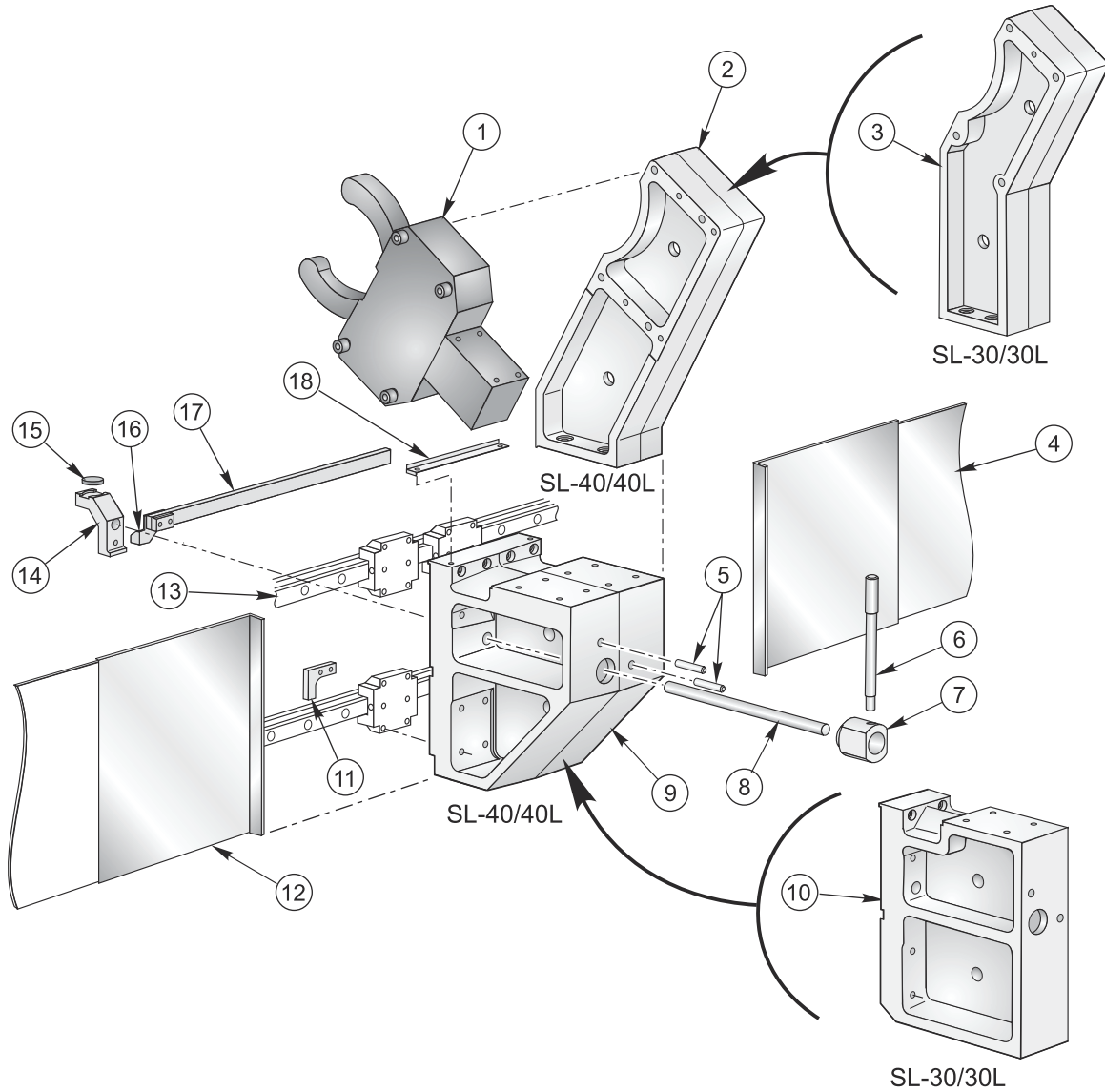




# SL-30/40 - Steady Rest Diagram



- 1. Steady Rest (Customer Supplied)
- 2. S/R Mount Machined
- 3. S/R Mount Machined
- 4. Waycover Left T/S
- 5. Dowel Pin 1/2 x 3 1/4
- 6. Handle T/S
- 7. Handle Collar T/S
- 8. Locking Pin
- 9. S/R Base Machined

- 10. S/R Base Machined
- 11. S/R Limit Stop
- 12. Waycover S/R
- 13. Linear Guide
- 14. S/R Brake
- 15. Brake Pad
- 16. Right Travel Stop
- 17. S/R Push Bar
- 18. Strip Shield