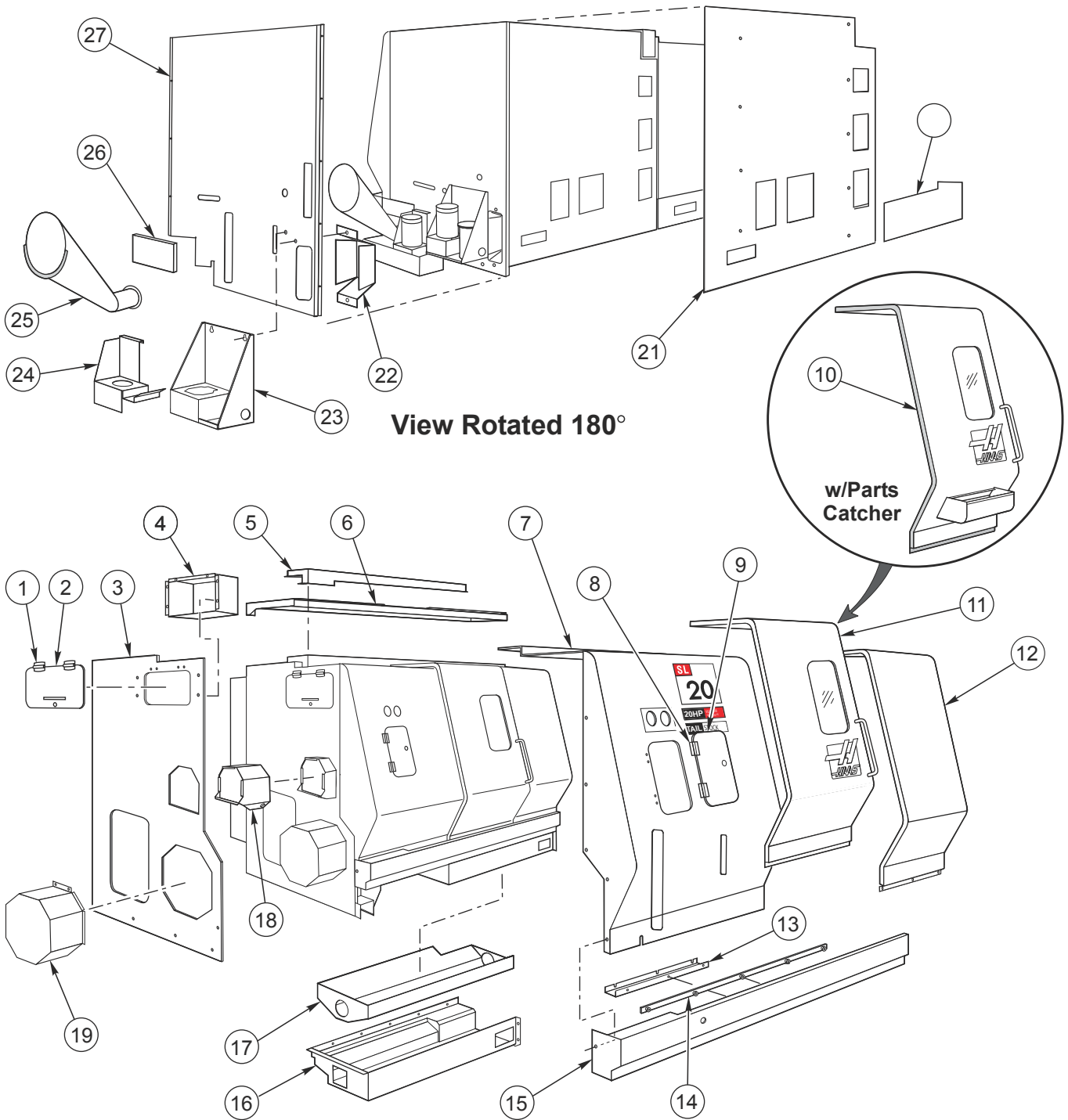




# SL-20 - External Enclosure



1. Door Hinges
2. Toolbox Door
3. Left Side Panel
4. Toolbox
5. Top Door Roller Mount (SL-20)  
Top Door Roller Mount (SL-20L)
6. Top Panel (SL-20)  
Top Panel (SL-20L)  
Roof Extension (SL-20L)  
Left Roof Panel (SL-20L)
7. Left Front Panel (SL-20)  
Left Front Panel (SL-20L)
8. Door Hinges
9. Access Door
10. Door Assembly w/Parts Catcher
11. Door Assembly  
Right Door Assembly (SL-20L)
12. Right Front Panel (SL-20)  
Right Front Panel (SL-20L)
13. Door Drip Panel (SL-20)  
Door Drip Panel (SL-20L)
14. Door V-Track
15. Front Rail (SL-20)  
Front Rail (SL-20L)
16. Chip Auger Tray (SL-20)  
Chip Auger Tray (SL-20L)
17. Chip Auger Pan (SL-20)  
Chip Auger Pan (SL-20L)
18. Coolant Collector  
Door
19. Motor Enclosure
20. Left Bottom Rear Cover
21. Rear Cover (SL-20)  
Rear Cover (SL-20L)  
Right Rear Panel (SL-20L)
22. Tramp Lube Oil Pan
23. HP Pump Bracket
24. Coolant Pump Mount
25. Discharge Chute
26. Discharge Chute Filler (SL-20)  
Discharge Chute Filler (SL-20L)
27. Right End Panel (SL-20)  
Right End Panel (SL-20L)