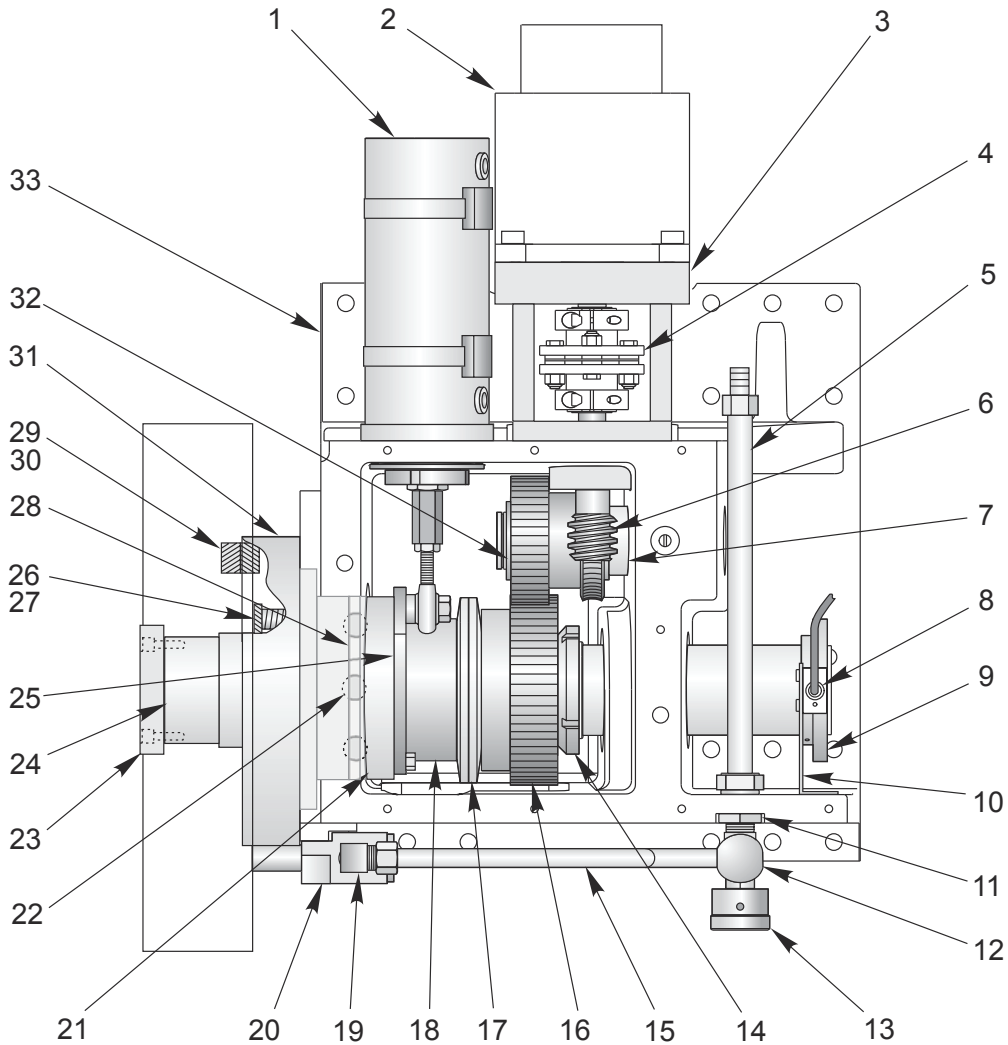




# SL-10 - Tool Turret



- |                                   |                               |
|-----------------------------------|-------------------------------|
| 1. Air Cylinder Assembly          | 17. Belleville Washers (2)    |
| 2. Motor                          | 18. TC Belleville Spacer      |
| 3. Worm Housing                   | 19. Coolant Elbow             |
| 4. Coupling Assembly              | 20. Coolant Transfer Assembly |
| 5. Coolant Line Assembly          | 21. TC Turret Cams (2)        |
| 6. Worm Shaft                     | 22. 15/16 Steel Balls (3)     |
| 7. TC Transfer Shaft              | 23. Turret Retainer           |
| 8. Switch                         | 24. TC Turret Shaft           |
| 9. TC Switch Ring                 | 25. TC Cam Lever              |
| 10. Turret Switch Bracket         | 26. Spring Retainer           |
| 11. Bulkhead Fitting              | 27. Spring                    |
| 12. Coolant Valve                 | 28. Cam Cage                  |
| 13. Coolant Knob                  | 29. Male Turret Coupling      |
| 14. Bearing Nut N-13              | 30. Female Turret Coupling    |
| 15. Coolant Line                  | 31. Turret Mount Coupling     |
| 16. TC Spur Gear<br>Spur Gear Key | 32. TC Cluster Gear           |
|                                   | 33. TC Turret Housing         |