

ITEM NO.	DESCRIPTION	QTY.
1	PANEL LEFT	1
2	PANEL RIGHT OM-1, 5/PALLET	1
3	PANEL FRONT BOTTOM	1
4	PANEL BACK RIGHT OM, 50/PALLET	1
5	PANEL BACK COVER	1
6	COVER BACK HORIZ CABLES OM-1	1
7	PANEL TOP OM-1A/2A 48/PLT	1
8	PANEL BACK LEFT TOP OM-1/2, 8/BOX	1
9	PANEL BACK LEFT BOTTOM OM-1A, 10/PALL	1
10	HEAD COVER BACK	1
11	HEAD COVER	1
12	HEAD COVER TOP	1
13	COLUMN FAN SHROUD, OM	1
14	FINGER GUARD 6.38IN MNTG CHROME WIRE C10	1
15	FAN 5.91X6.78 200CFM	1
16	SPLASH SHIELD	1
17	TOOL TRAY ISO20 OM-1	1
18	TOOL STATION ISO20 OM-1	1

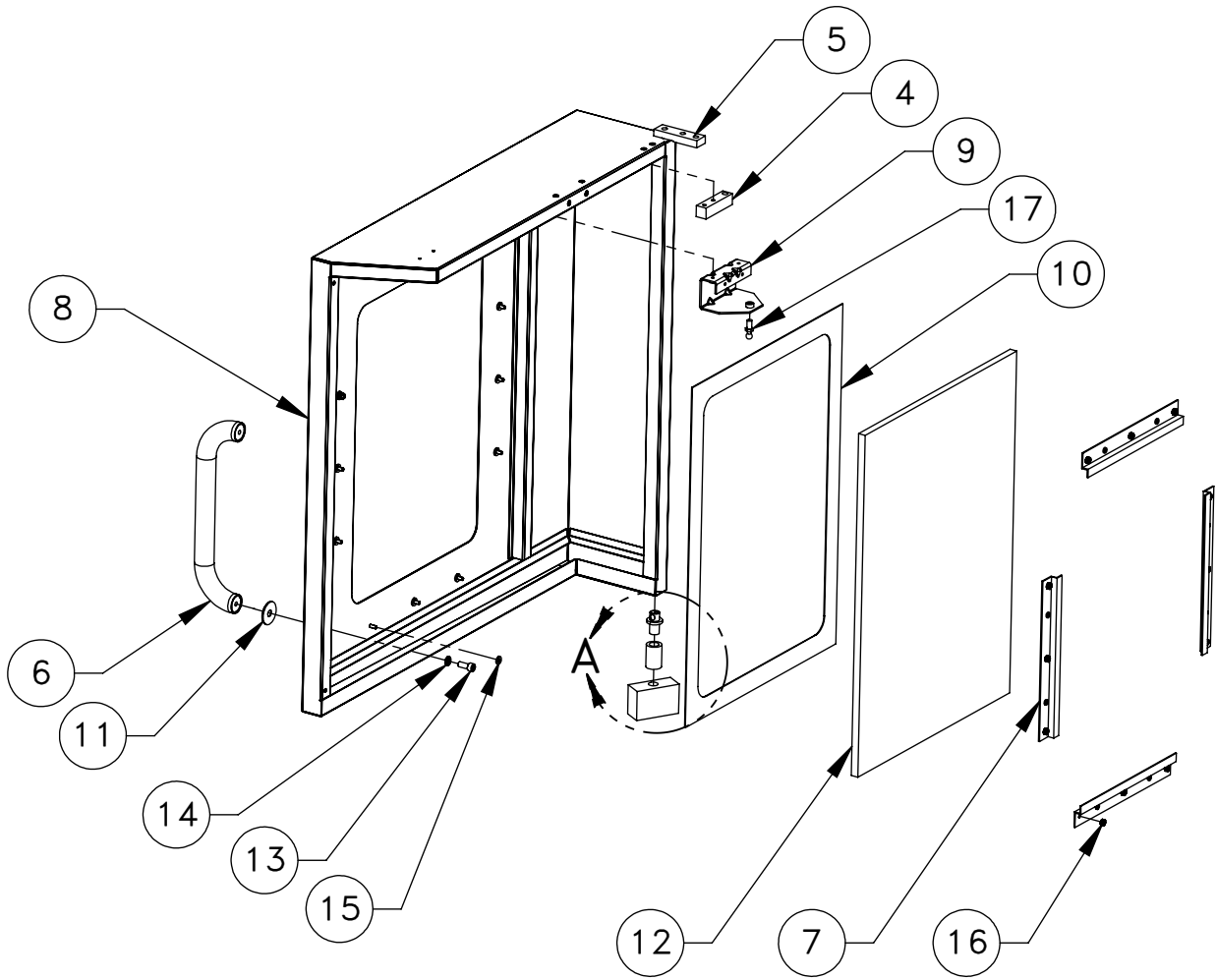
SHEET 1 OF 2

DESCRIPTION

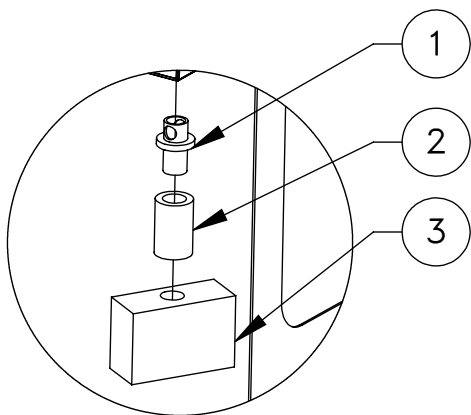
OM ENCLOSURE

EFFECTIVE DATE
SEPT-2005

SAP DOC NO./VER: 1000007482/01



DOOR ASSEMBLY



DETAIL A
SCALE 1 : 5

ITEM NO.	DESCRIPTION	QTY.
1	STUD DOOR HINGE OM-1	1
2	BUSHING DOOR HINGE OM-1	1
3	HINGE BOTTOM OM-1	1
4	BRACKET TOP HINGE	1
5	HINGE TOP OM-1	1
6	HANDLE DOOR CHROME	1
7	WINDOW RETAINER TL	4
8	PANEL SETUP DOOR OM PRM/GRY	2
9	BRACKET DR GAS SPRING OM-1	1
10	GASKET OPERATOR DOOR SL-40/L	1
11	FERRULE DOOR HANDLE	2
12	WINDOW DOOR SL20-40	1
13	SHCS M8 X 20	2
14	WASHER 5/16 SPLT LOCK PLT	2
15	WASHER #10 HARD 275-00 3/16 HAR	13
16	NUT 10-32 HEX W/LCKWASHER	13
17	BALL STUD, GAS SPRING, BS101-02HA GUD	1

SHEET 2 OF 2

DESCRIPTION
OM ENCLOSURE

EFFECTIVE DATE
SEPT-2005

SAP DOC NO./VER: 1000007482/01