

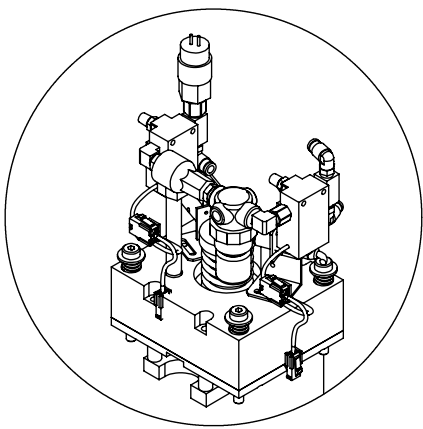
ITEM NO.	DESCRIPTION	QTY.
1	SPINDLE W/ DBAR 30K 20T VMC	1
2	MOTOR ASSY OM-1 40K SPINDLE OP	1
3	BOX ENCDR SPRNG MNT/SL20 540/PLT	1
4	CLAMP ENCODER SPRING MNT INLINE/SL-2	1
5	DRV BELT HTD 3MX9 300-3M-09	1
6	BODY MAGNETIC ENCODER SHAFTED (MACHINED)	1
7	DRIVE SPROCKET ENCODER HTD 3M-72S-9	1
8	SPRING EXT .29 OD X 1.5 LENCODER BELT TE	2
9	HEAD MACH ISO20 OM-1	1
10	TRP ASSY OM-1	1
11	BRACKET AIR SCRAPER BELT OM-1 25/BX	1
12	COVER COOLANT JACKET OM-1 15/BOX	2
13	GASKET COOLANT JACKET OL-1	2
14	DRAIN TUBE COOLANT STAND PIPE OM-1	1
15	SHCS 1/4-20 X 5/8 ZINC PLATED	1
16	3/8 NPTF FULL FLOW BALL VALVE	1
17	NIPPLE 1/4 NPT CLOSE BRASS	1
18	STREET L 1/4M X 1/4F NPT	2
19	FITG REDUCER, 3/8 NPT M X 1/4 NPT F	2
20	NOZZLE CLNT 1/4 NPT ADJ .15 ORIFICE X 1	1
21	DRV BELT PGGT TRUMOTION E3MR-630-15	1
22	FINGER GUARD 6.38IN MNTG CHROME WIRE C10	1
23	FAN 5.91X6.78 200CFM	1

SHEET 1 OF 2

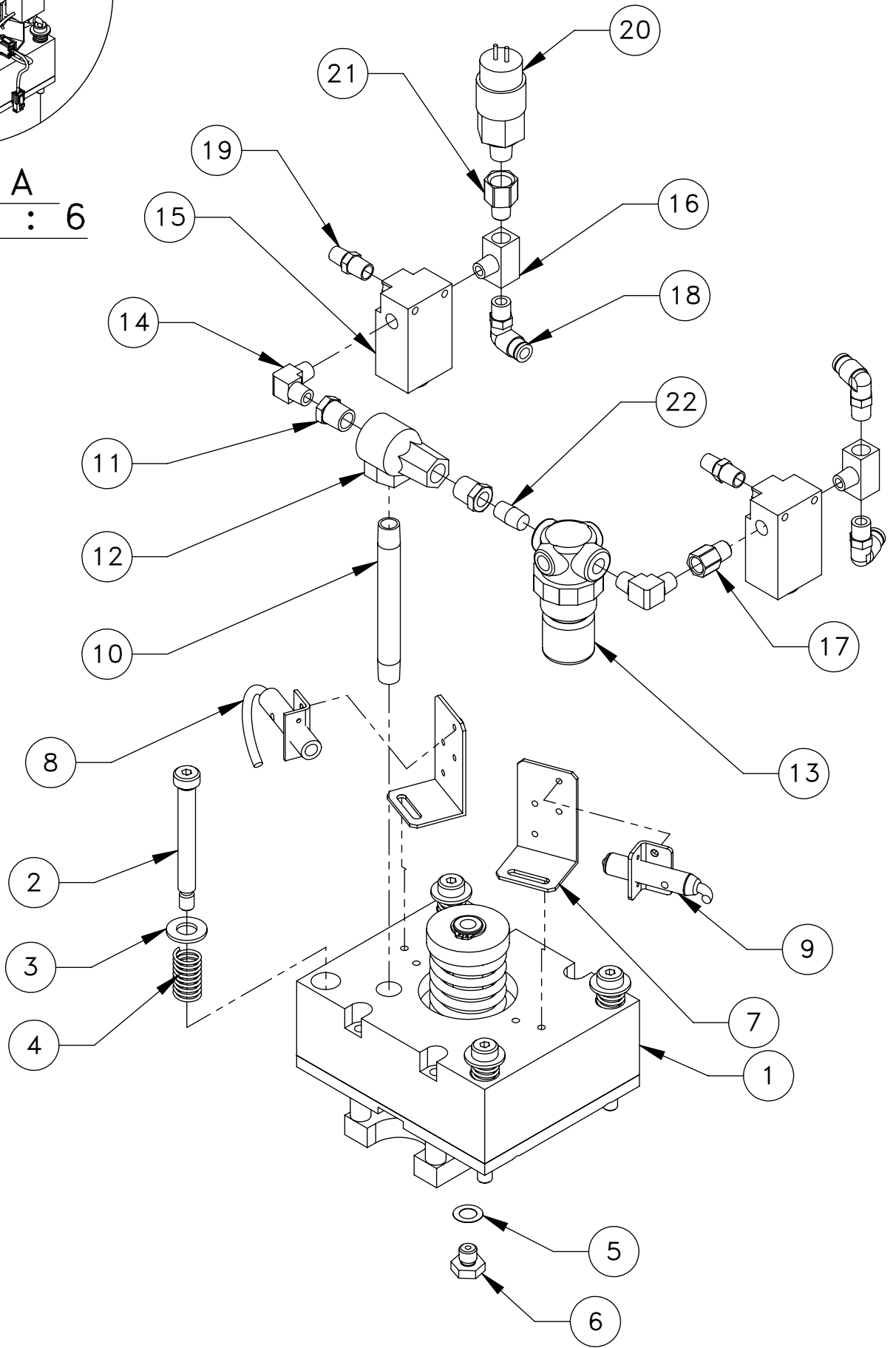
DESCRIPTION
OM-1 SPINDLE HEAD ASSEMBLY

EFFECTIVE DATE
 SEPT-2005

SAP DOC NO./VER: 1000007557/01



DETAIL A
SCALE 1 : 6



ITEM NO.	DESCRIPTION	QTY.
1	TRP CYLINDER 40K SPINDLE OM-1	1
2	SHLDR BOLT 3/8 X 2 3/4 OM-1	4
3	WASHER 3/8 HARD #275-15	4
4	SPRING COMPRESSION .60 OD OM-1	4
5	WASHER 3/8 STEEL .010THK X .6350	25
6	TOOL RELEASE BOLT 3/8LH	1
7	BRKT SWITCH MOUNT TRP OM-1 40K SPINDL	2
8	PROX L/S TOOL CLAMP	1
9	PROX L/S TOOL CLAMP	1
10	NIPPLE, 1/4 NPT M X 4.50" LG	1
11	FITG REDUCER NPT-1/4-M X NPT-1/8-F	2
12	QUICK EXHAUST 1/4 HUMPHREY	1
13	AIR REGULATOR 0-10PSI OUTPUT 1/8 NPT	1
14	FITG NPT-1/8-M X NPT-1/8-M 90 BR	2
15	SOLENOID ASSY	2
16	FITG NPT-1/8-F X NPT-1/8-F X NPT	2
17	FITG NPT-1/8-F X NPT-1/8-M	1
18	FITG LBO-1/4 X NPT-1/8-M X 90 AIR ONLY	3
19	AIR MUFFLER NPT-1/8-M EXTENDED BRONZE	2
20	PRESS SW 40PSI-1/4NPT-M OBS- USE 53-301	1
21	FITG NPT-1/8-M X NPT-1/4-F STR	1
22	NIPPLE 1/8 NPT CLOSE	1

SHEET 2 OF 2

DESCRIPTION
OM-1 SPINDLE HEAD ASSEMBLY

EFFECTIVE DATE
SEPT-2005

SAP DOC NO./VER: 1000007557/01