

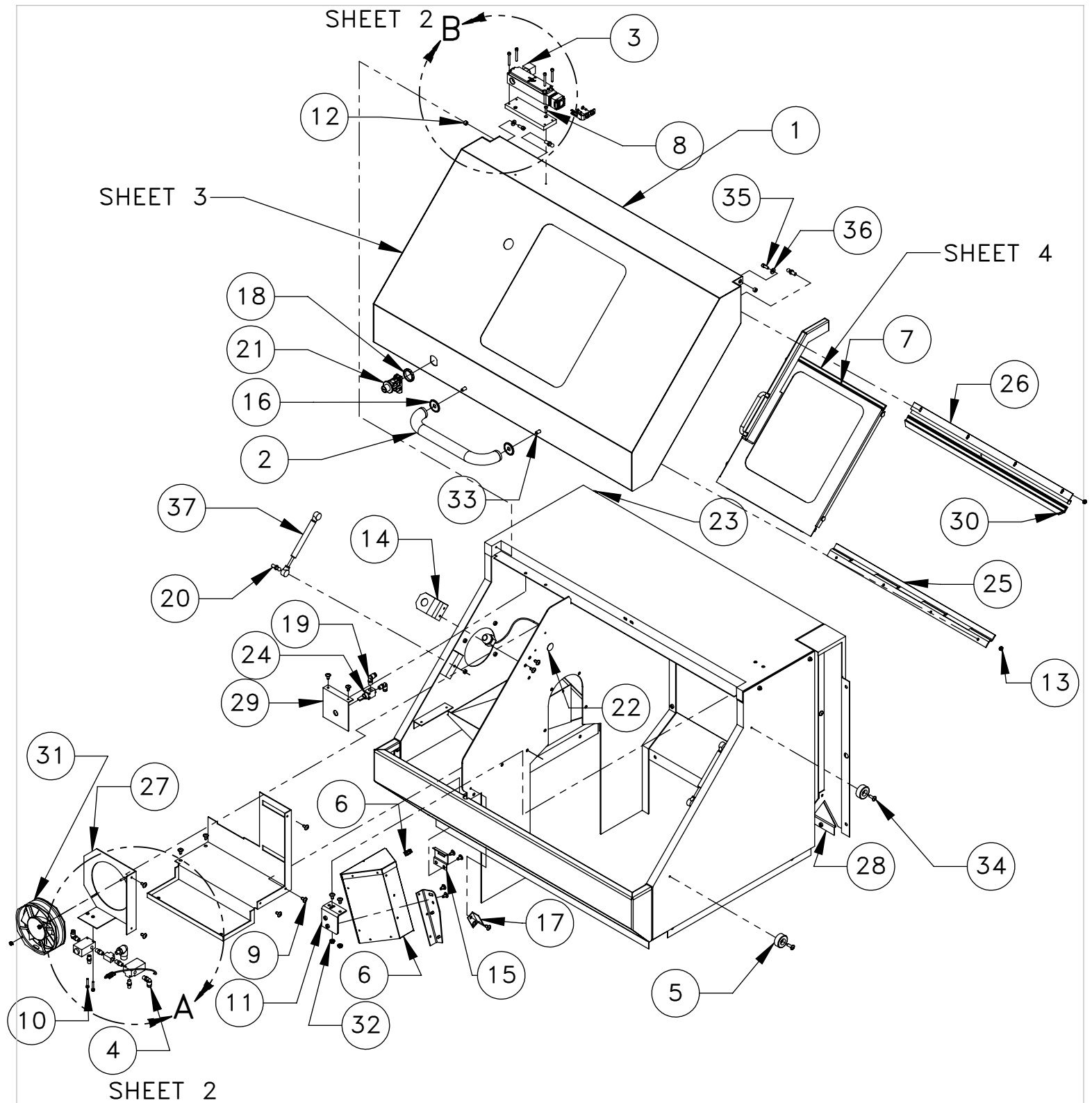
COLLAPSED VIEW

SHEET 1 OF 5

DESCRIPTION  
**OL ENCLOSURE**

EFFECTIVE DATE  
SEPT-2005

SAP DOC NO./VER: 1000007564/01



ITEM NO.	DESCRIPTION	QTY.
1	ENCLOSURE PANELS OL-1	1
2	HANDLE DOOR CHROME	1
3	DOOR INTERLOCK ASSY OL-1	1
4	SOLENOID ASSY OL-1 COLLET CLOSE	1
5	BUMPER RECESSED OM/OL	2
6	SINGLE BULB WRK LMP ASSY OM/OL	1
7	WINDOW DOOR ASSY OL	1
8	SHCS 10-32 X 5/8 W/LOC 2ATHREADS ZINC PL	2
9	FBHCS 1/4-20 X 1/2 SLF-TP W/LOCTITE PATCH	43
10	SHCS 10-32 X 1	2
11	BRACKET ADJUST WORKLIGHT100/BX&5K/PLT	1
12	EXTRACTOR BUSHING (WAS 20-9256)	2
13	NUT 10-32 HEX W/LCKWASHER	11
14	BRACKET CHUCK RELEASE OL-1	1
15	BRACKET CE DOOR LATCH OL-1HE/CE	1
16	FERRULE DOOR HANDLE	2
17	SHIELD COOLANT SPLASH OL-1	1
18	PANEL NUT NORGREN 2962-89	1
19	FITG LBO-1/4 X NPT-1/8-M X 90 AIR ONLY	2
20	BALL STUD, GAS SPRING, BS101-02HA GUD	4
21	SLAM LATCH LOCK, EBERHARD 685-PK-701	1
22	PLUG HOLE .750 DIA BLACK MAX .125	1
23	CABLE CLAMP 7/16 RICHCO SPN-7	3
24	Cust Properties	1
25	RAIL WINDOW OL-1	1
26	BRACKET WINDOW GUIDE OL-1	1
27	BRACKET SPINDLE FAN OL-1	1
28	COVER BACK HORZ CABLES OL-1	1
29	BRACKET DRAWBAR RELIEF SWOL-1	1
30	GUIDE WINDOW TOP OL-1	1
31	FAN 5.91X6.78 200CFM	1
32	NUT 1/4-20 FLANGE W/NYLON PATCH Z	2
33	SHCS 5/16-18 X 3/4 DOMESTIC ONLY	2
34	FBHCS 1/4-20 X 3/4 W/LOCTITE PTCH	2
35	SHCS 1/4-20 X 5/8 ZINC PLATED	2
36	WASHER 1/4 HARD	2
37	GAS SPRING 60 LBS	2

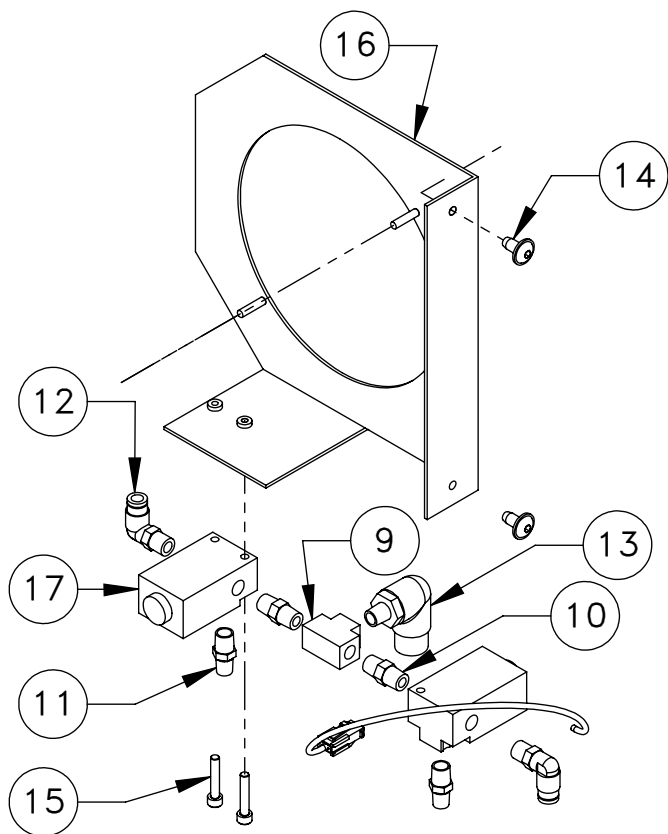
SHEET 2 OF 5

EFFECTIVE DATE

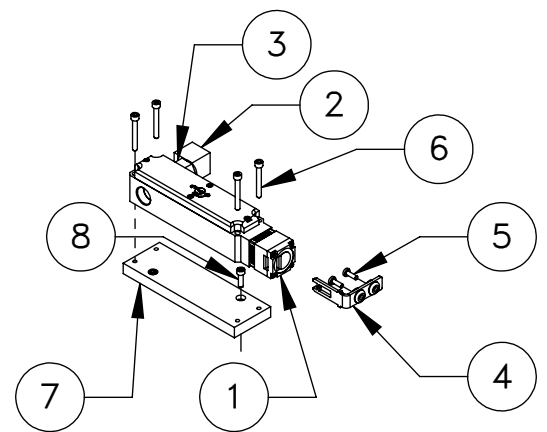
SEPT-2005

SAP DOC NO./VER: 1000007564/01

DESCRIPTION  
OL ENCLOSURE

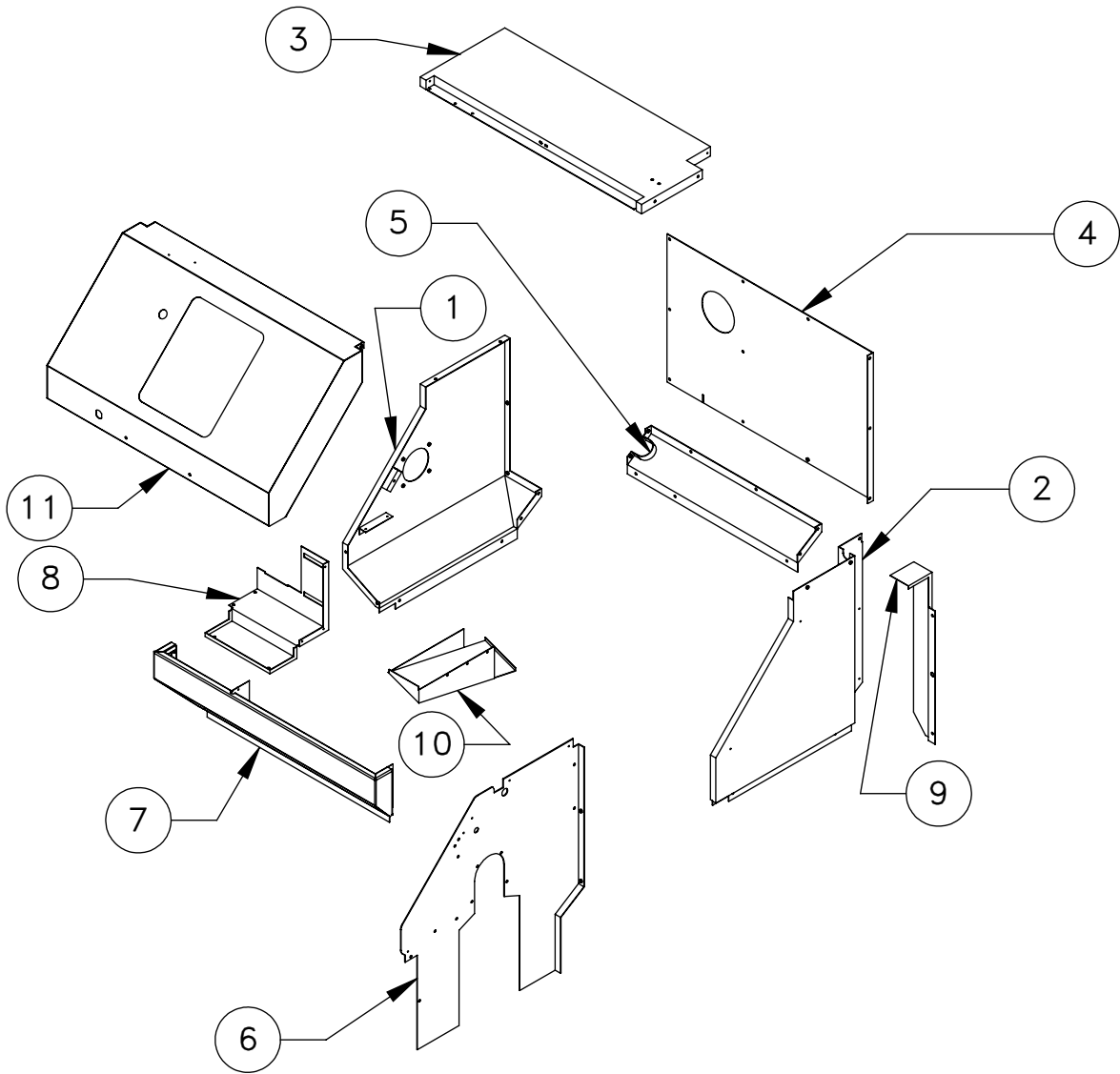


DETAIL N  
SCALE 1 : 4



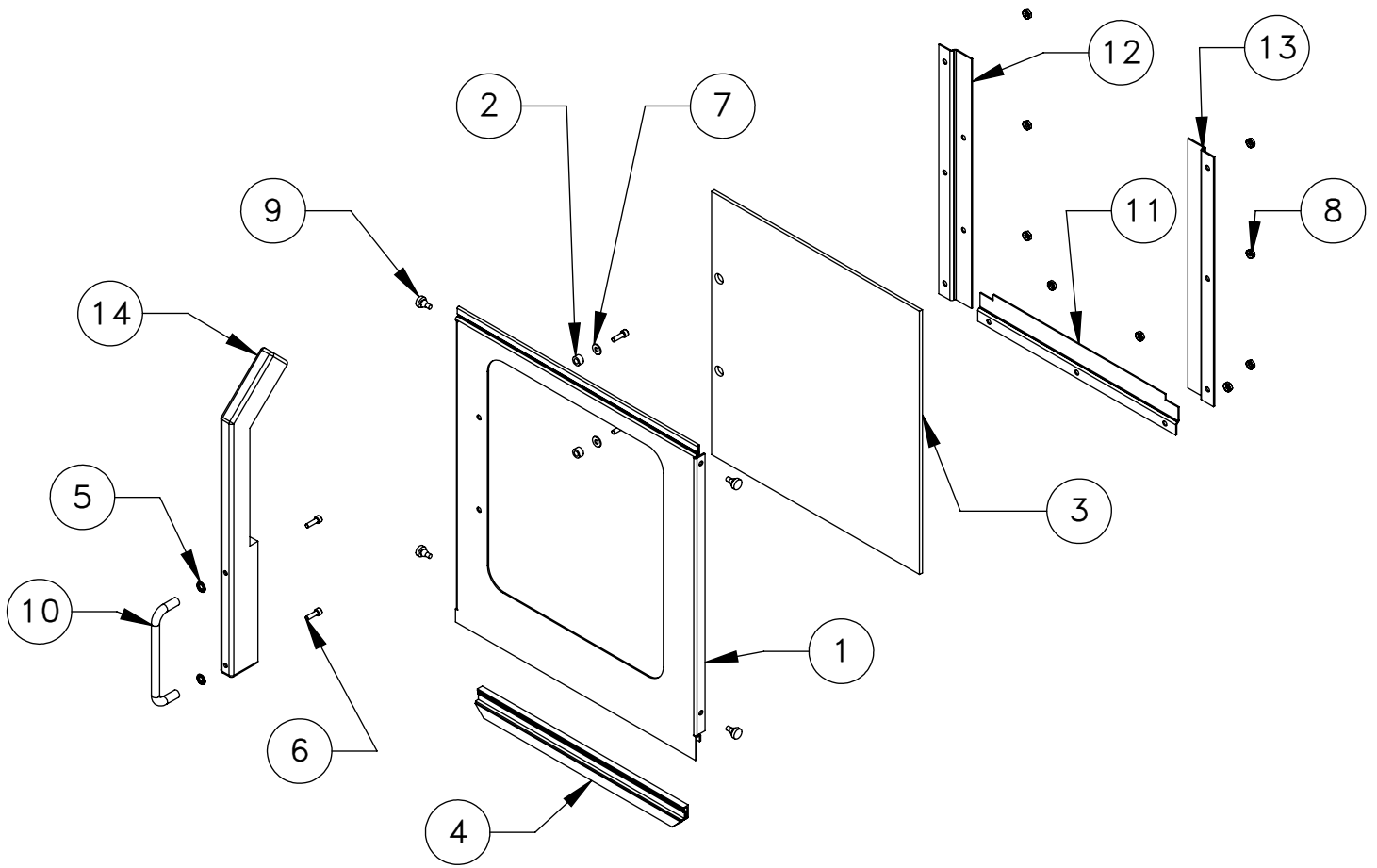
DETAIL R  
SCALE 2 : 15

ITEM NO.	DESCRIPTION	QTY.
1	CE INTERLOCK SWITCH W/SPACER A	1
2	CBL W/MALE M12 CONN STRT 5M LEN	1
3	STRN RLIEF 0.17-0.35" ID M20 THRD	1
4	CE INTERLOCK 90DEG KEY EUC NOT	1
5	PPHS 8-32 x 1/2	2
6	SHCS 10-32 X 1 1/2	4
7	ADAPTER PLATE INTRLOCK MNT OL	1
8	FHCS 6-32 X 3/8 ZINC F	1
9	58-3100 FITG NPT-1/8-F X NPT-1/8-M	1
10	NIPPLE 1/8 NPT HEX BRASS PARKER	2
11	AIR MUFFLER NPT-1/8-M EXTENDED	2
12	FITG LBO-1/4 X NPT-1/8-M X 90 A	2
13	FITG LBO-3/8 X NPT-1/8-M X 90	1
14	FBHCS 1/4-20 X 1/2 SLF-TP W/LOC	43
15	SHCS 10-32 X 1	2
16	BRACKET SPINDLE FAN OL-1	1
17	SOLENOID VALVE 120 VOLT MAC 111B-11	



## ENCLOSURE PANEL ASSEMBLY

ITEM NO.	DESCRIPTION	QTY.
1	PANEL LEFT OL-1	1
2	PANEL RIGHT OL-1	1
3	PANEL TOP OL-1, 6/PALLET	1
4	PANEL BACK OL-1	1
5	PANEL BACK BOTTOM OL-1	1
6	PARTITION SPINDLE OL-1, 6/PALLET	1
7	PANEL, FRONT BOTTOM	1
8	TRAY TOOL OL-1	1
9	COVER BACK VERT CABLES OL-1	1
10	SHIELD, SPINDLE CABLE OL-1 -13MTR	1
11	PANEL DOOR SET UP OL PRM/GRY	1



## WINDOW DOOR ASSEMBLY

ITEM NO.	PART NUMBER	DESCRIPTION	QTY.
1	25-7549A	PANEL OPERATOR DOOR OL PRM/GRY	1
2	22-9256	EXTRACTOR BUSHING (WAS 20-9256)	2
3	28-0173A	WINDOW OL-1	1
4	28-0175	GUIDE WINDOW BOTTOM OL-1	1
5	28-0233	FERRULE DOOR HANDLE 3/8	2
6	40-1645	SHCS 10-32 X 5/8 W/LOC 2ATHREADS ZINC PL	4
7	45-1737	WASHER #10 FLAT SAE PLT	2
8	46-1620	NUT 10-32 HEX W/LCKWASHER	9
9	59-0786	BUMPER, NITRILE .50 DIA. X .25	4
10	59-0901	HANDLE CHUCK GUARD 3/8 DIA X 5.0 C	1
11	25-6247B	FRAME WINDOW BOTTOM OL-1 PRM/GRY	1
12	25-6084B	FRAME WINDOW SIDE OM/OL PRM GRY	1
13	25-6108A	DOOR FRAME SIDES APC	1
14	25-9286A	BRACKET CE TRIP FLAG OL-1HE/CE	1