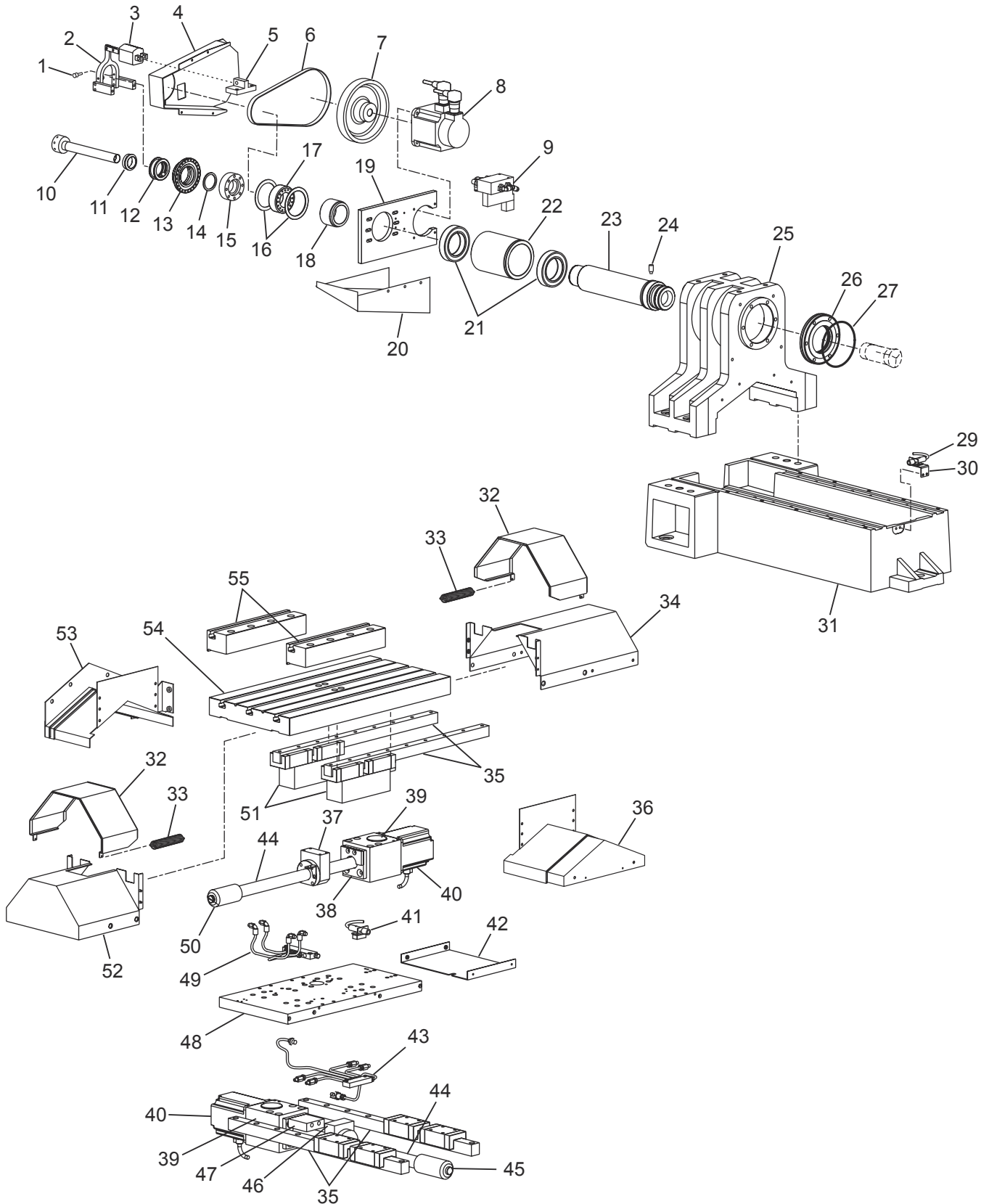




Office Lathe - Internal Enclosure



1. 2X Track Roller
2. Lever AAC
3. Air Cylinder AAC
4. Spindle Belt Cover
5. Cylinder Mount AAC
6. Spindle Drive Belt
7. Pulley 180T 3mm
8. Servo Motor
9. Solenoid Assembly
10. Draw Bar AAC
11. Locking Collar AAC
12. Collet Closer Cone
13. Detent Ring
Air Collet Closer
14. Fiber Washer
15. Draw Bar Bushing
16. 2X Pulley Flange 90T 3mm
17. Pulley 90T 3mm
18. Spindle Lock 60mm
19. Motor Mount Plate
20. Spindle Cable Shield
21. 2X Bearing
22. Spacer Set 60mm
23. Spindle Shaft
24. 5C Lock Screw
25. Spindle Head Machined
26. Spindle Cap
27. O-Ring
28. Not Used (Customer Supplied)
29. Proximity Switch
30. Switch Bracket
31. Bed Machined
32. 2X X-Axis Floater Waycover
33. 4X Spring - Ext - 3/8 x 2.50 lg x .035
34. X-Axis Waycover
35. 4X Linear Guide
36. Z-Axis Right Waycover
37. X-Axis Nut Housing
38. X-Axis Bumper
39. 2X Motor Mount
40. 2X Servo Motor
41. Proximity Switch
Switch Spacer
42. X-Axis Bottom Waycover
43. Y-Axis Lube Line Assy
44. 2X Ball Screw
45. Y-Axis Ball Screw Bumper
46. Y-Axis Nut Housing
47. Y-Axis Bumper
48. Saddle Machined
49. X-Axis Lube Line Assy
50. Ball Screw Bumper
51. 2X Saddle Spacer
52. X-Axis Short Waycover
53. Z-Axis Left Waycover
54. Table Machined
55. 2X Riser Rail