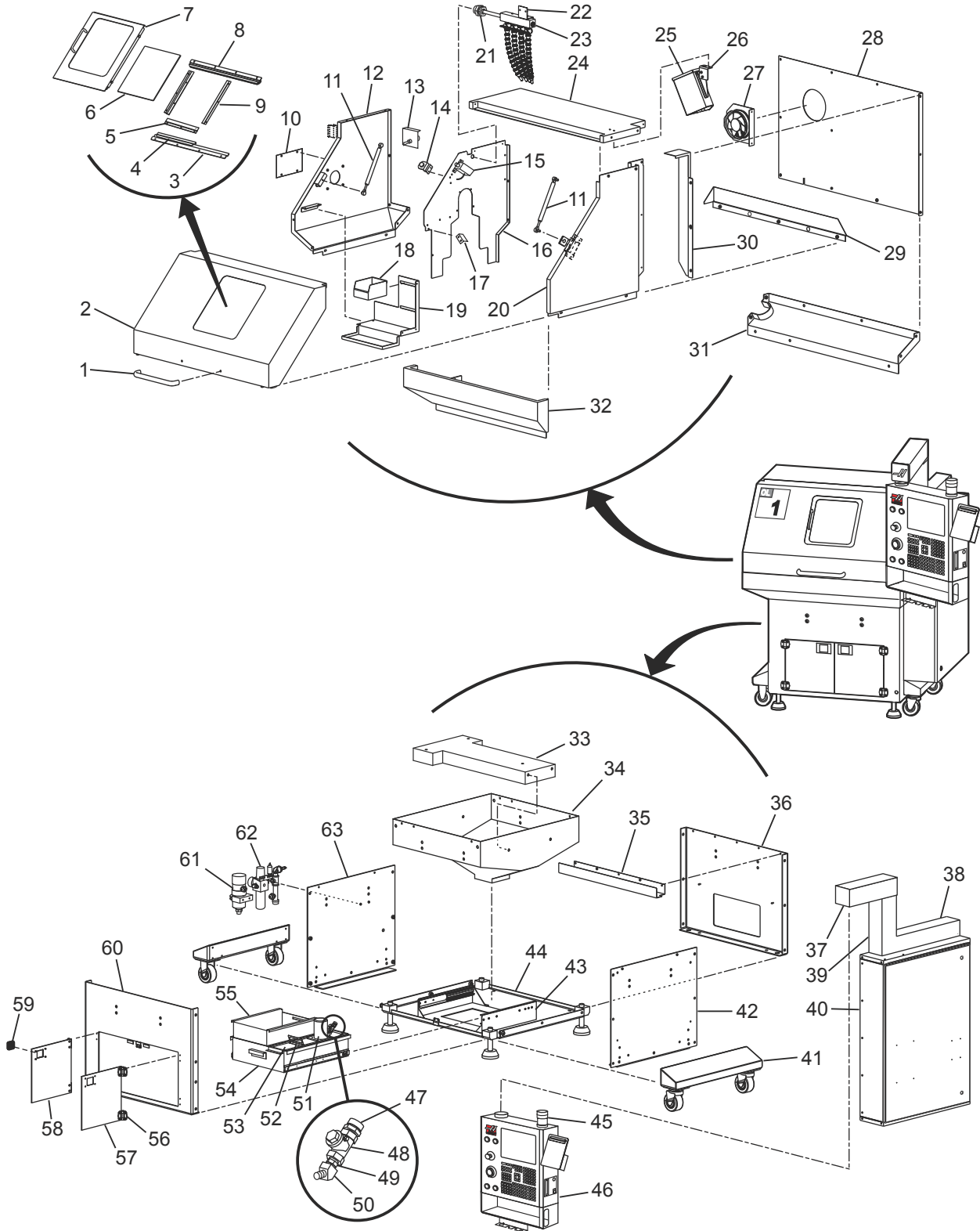




Office Lathe - External Enclosure



1. Chrome Handle
2. Set-Up Door Panel
3. Window Rail
4. Bottom Window Guide
5. Bottom Window Frame
6. Window
7. Operator Door Panel
Small Handle
8. Window Guide Bracket
Top Window Guide
9. Left Window Side Frame
Right Window Side Frame
10. Junction Box Cover
11. 2X Gas Spring
12. Left Panel
13. Reverse Acting TV-4DMP Model CS-1781
Drawbar Relief Bracket
14. Chuck Release Button
Chuck Release Bracket
15. Door Switch Bracket
Proximity Switch
16. Spindle Partition
17. Coolant Splash Shield
18. 3X AKROBIN AKRO-Mils 30-210 Red
19. Tool Tray
20. Right Panel
21. Bulkhead Fitting NPT-3/8 x 1.000 Dia.
22. Coolant Manifold Bracket
23. Spindle Head Manifold Assy
24. Top Panel
25. Work Light Housing
26. Work Light Adjust Bracket
27. Fan 5.91 x 6.78 in. 200 cfm
Fan Bracket
Fan Guard
28. Back Panel
29. Horizontal Cables Back Cover
30. Vertical Cables Back Cover
31. Bottom Back Panel
32. Bottom Front Panel
33. Long Machine Support
34. Base Basin
35. Back Cables Trough
36. Base Rear Panel
37. Pendant Arm
38. Pendant Arm Cover
39. Pendant Arm Support
40. Electrical Control Box Assy
41. Right Swiveling Caster
Left Swiveling Caster
42. Base Right Panel
43. Coolant Tank Support
44. Base Bottom
45. Top Beacon Light Assy
46. Front Pendant Enclosure
47. .375 Garden Hose Fitting
48. .375 Swing Valve Brass
49. .375 Hex Nipple
50. 45 Degree Elbow
51. Coolant Pump Kit
52. Coolant Tank Filter
53. Pump Assy Bracket
54. Coolant Tank
55. Chip Tray
56. 4X Door Hinge
57. Right Base Door
58. Left Base Door
59. 2X Push Close Latch
60. Base Front Panel
61. Auto Lube Pump
62. Air Regulator Assy
63. Base Left Panel