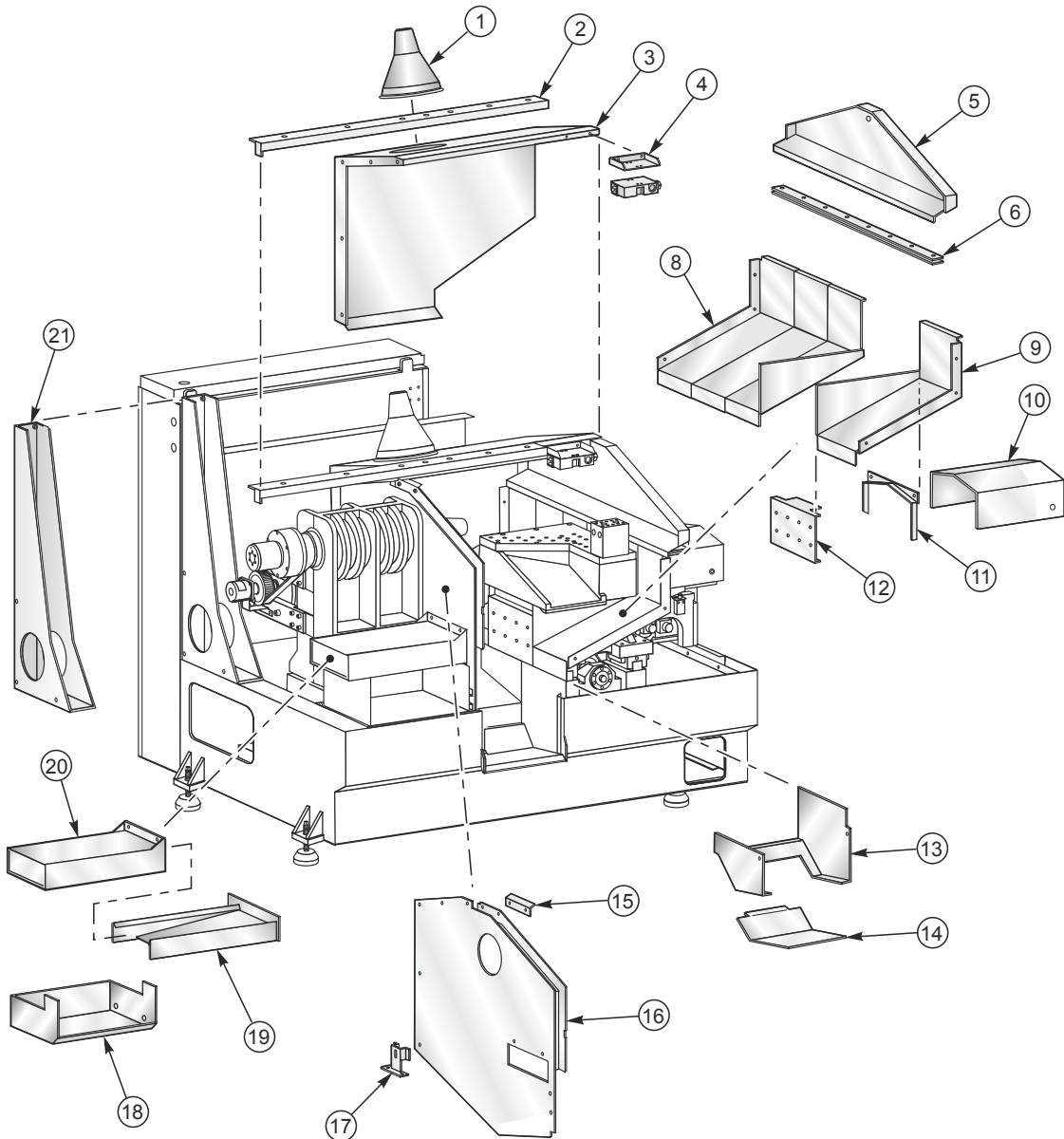




# Mini Lathe - Internal Enclosure



- |                            |                               |
|----------------------------|-------------------------------|
| 1. Work Light Assembly     | 12. Saddle Bra                |
| 2. Upper Roller Track      | 13. Chip Tray Body            |
| 3. Splash Liner            | 14. Chip Tray                 |
| 4. CE Hanger               | 15. Door Brass Wiper          |
| 5. Header                  | 16. Fixed Bulkhead            |
| 6. Guide Bar Assembly      | 17. Bulkhead Bracket          |
| 7. Not Used                | 18. Part Tray                 |
| 8. Rear Way Cover          | 19. Part Catcher Drawer       |
| 9. Front Way Cover         | 20. Part Catcher Drawer Frame |
| 10. Z-Axis Way Cover Wiper | 21. Stand                     |
| 11. Z-Axis Sliding Cover   |                               |