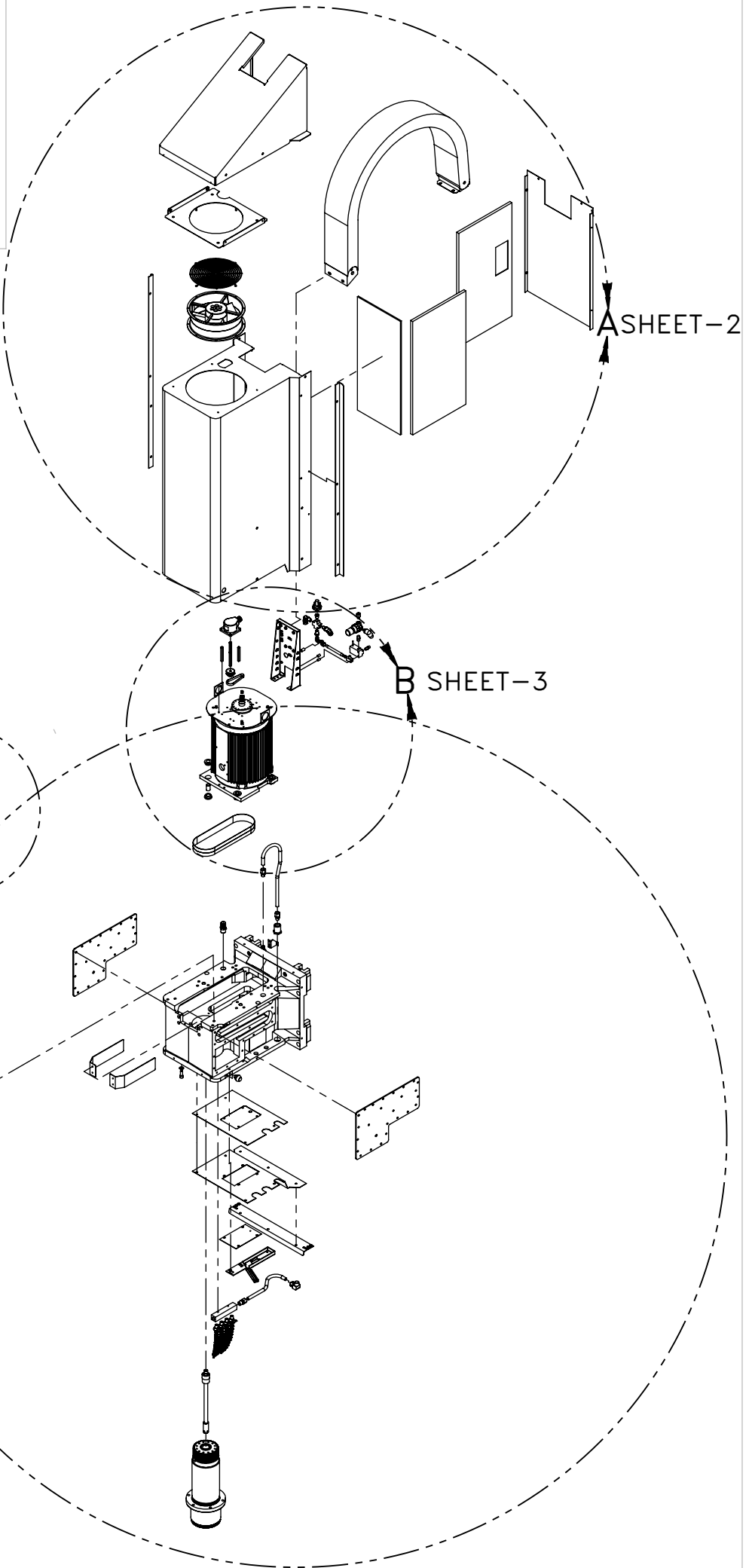
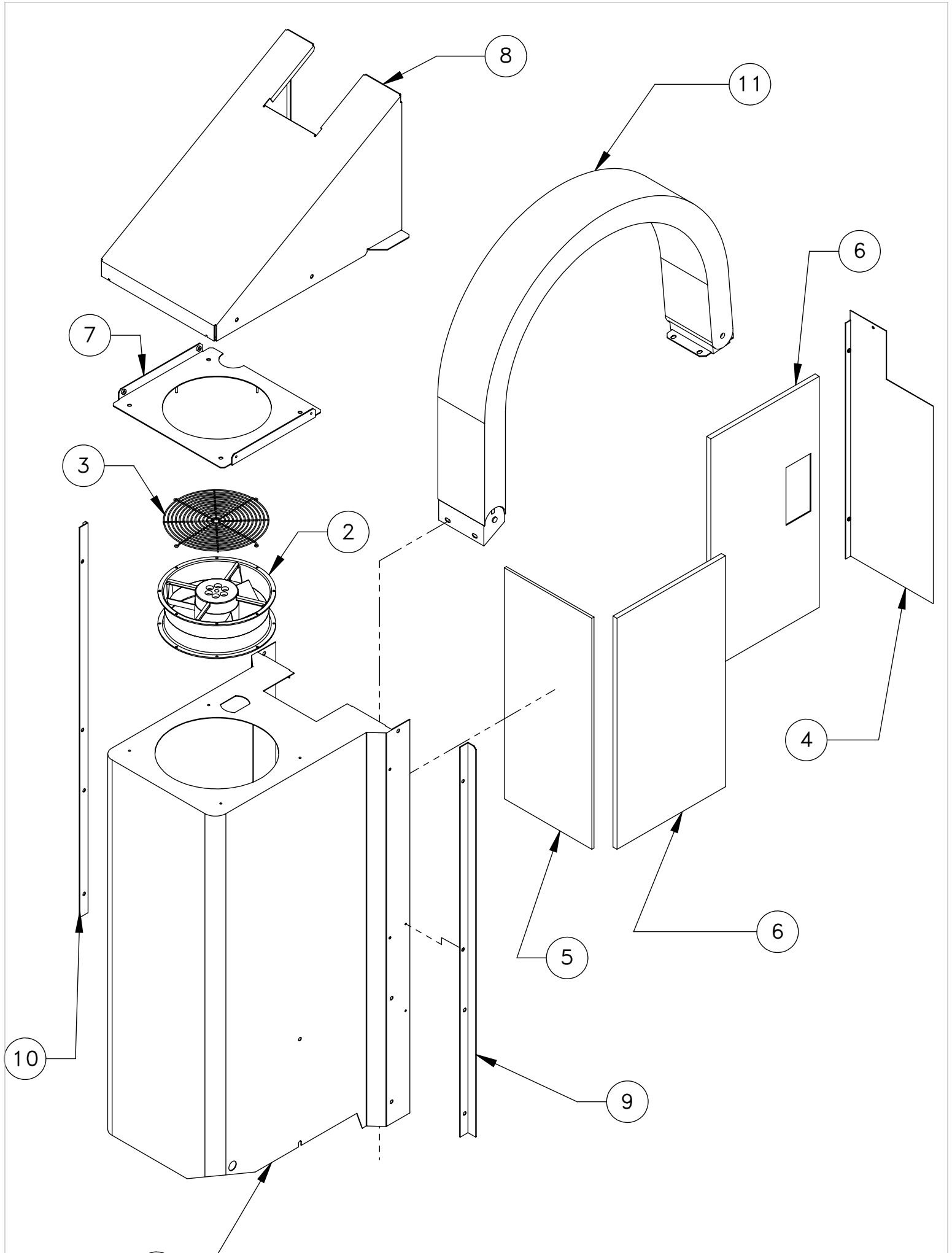


COLLAPSED VIEW



EXPLODED VIEW

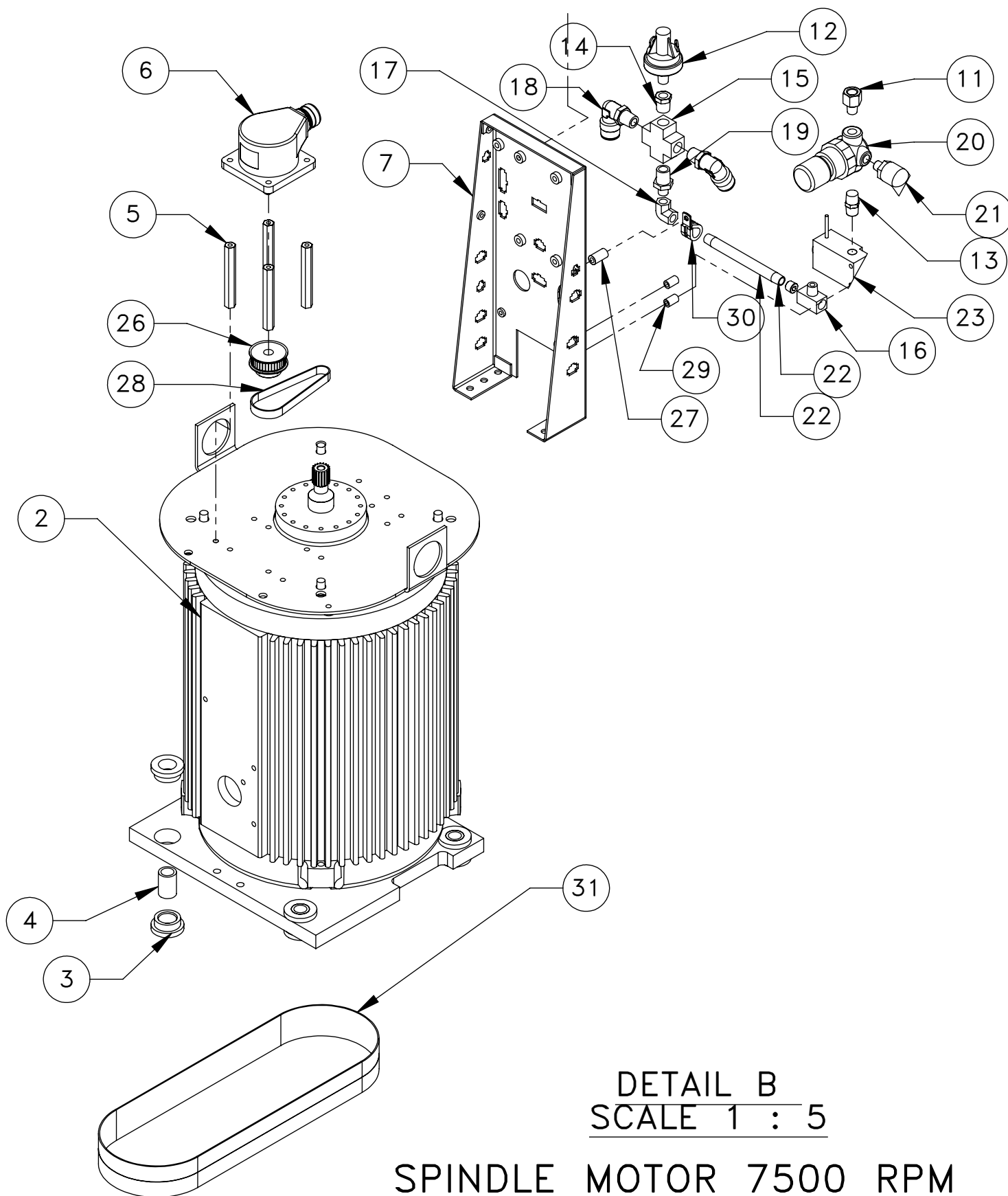


DETAIL A
SCALE 1 : 10

HEAD COVER ASSEMBLY

ITEM NO.	DESCRIPTION	QTY.
1	SPINDLE HEAD COVER VF-1/2	1
2	FAN ASSY SPINDLE	1
3	FAN GUARD SPNDL 8.75IN FOR COMAIR 10IN	1
4	COVER SPINDLE HEAD REAR VF-0/1/2	1
5	SOUNDFOAM FRNT HD CVR	1
6	SOUNDFOAM SIDE HD CVR	2
7	SP FAN MTG BRKT-MDC-500	1
8	CHIP CVR-TOPSP HD-MDC-500	1
9	CHIP SEAL-SP HD-RT MDC-500	1
10	CHIP SEAL-SP HD-LFT MDC-500	1
11	CBL CARRIER GORTRAC KLE2-10 26 LINK	1

DESCRIPTION	EFFECTIVE DATE
MDC-500 SPINDLE HEAD ASSY 10K 40 TAPER	NOV-2010
	SAP DOC NO./VER: /



DETAIL B
SCALE 1 : 5

SPINDLE MOTOR 7500 RPM

F	DESCRIPTION	QTY.
1	SPNDL MTR 7500 TBLK BALDOR	1
2	SPINDLE MTR 10HP BAL 10HP-8K-BD-6L-R	1
3	ISOLATOR TRANS	8
4	SPACER TRANS	4
5	ENCODER STANDOFF VF-1	4
6	ENCODER 2K LN SHFT M23	1
7	BRACKET SOLENOID MNTG	1
8	AIR SOLENOID ASSY	1
9	FITG NPT-1/8-M PLUG	1
10	AIR MUFFLER NPT-1/8-M EXTENDED BRONZE	1
11	ORIFICE 1/8NPT X .010 LOCTITE VIBRA S	1
12	PRESS SW 70PSI-1/8NPT-M	1
13	NIPPLE 1/8 NPT HEX BRASS PARKER 21	1
14	FITG REDUCER NPT-1/4-M X NPT-1/8-F	1
15	FITG NPT-1/4-F X NPT-1/4-F X NPT	1
16	FITG NPT-1/8-F X NPT-1/8-F X NPT	1
17	FITG NPT-1/8-F X NPT-1/8-F 90 BR	1
18	FITG CAM-1/2 X NPT-1/4-M 90 HI	2
19	FITG NPT-1/8-M X NPT-1/4-M	1
20	AIR REGULATOR 0-10PSI OUTPUT 1/8 NPT	1
21	FITG LBO-3/8 X NPT-1/8-M X 90	1
22	NIPPLE 1/8 NPT X 4 BRASS LOCTITE V	1
23	SOLENOID ASSY	1
24	SPROCKET 1 3/8	1
25	SPROCKET FLANGE	2
26	DRIVE SPROCKET 3/8 RTAP	1
27	TOOL #1 STANDOFF	1
28	DRV BELT HTD 3MX9 225-3M-09	1
29	STANDOFF .187ID X 0.5LG SEASTROM 5795-8	2
30	CABLE CLAMP 7/16 RICHCO SPN-7	1
31	DRV BELT PCGT 8MGT-800-18MS	1

SHEET 3 OF 5

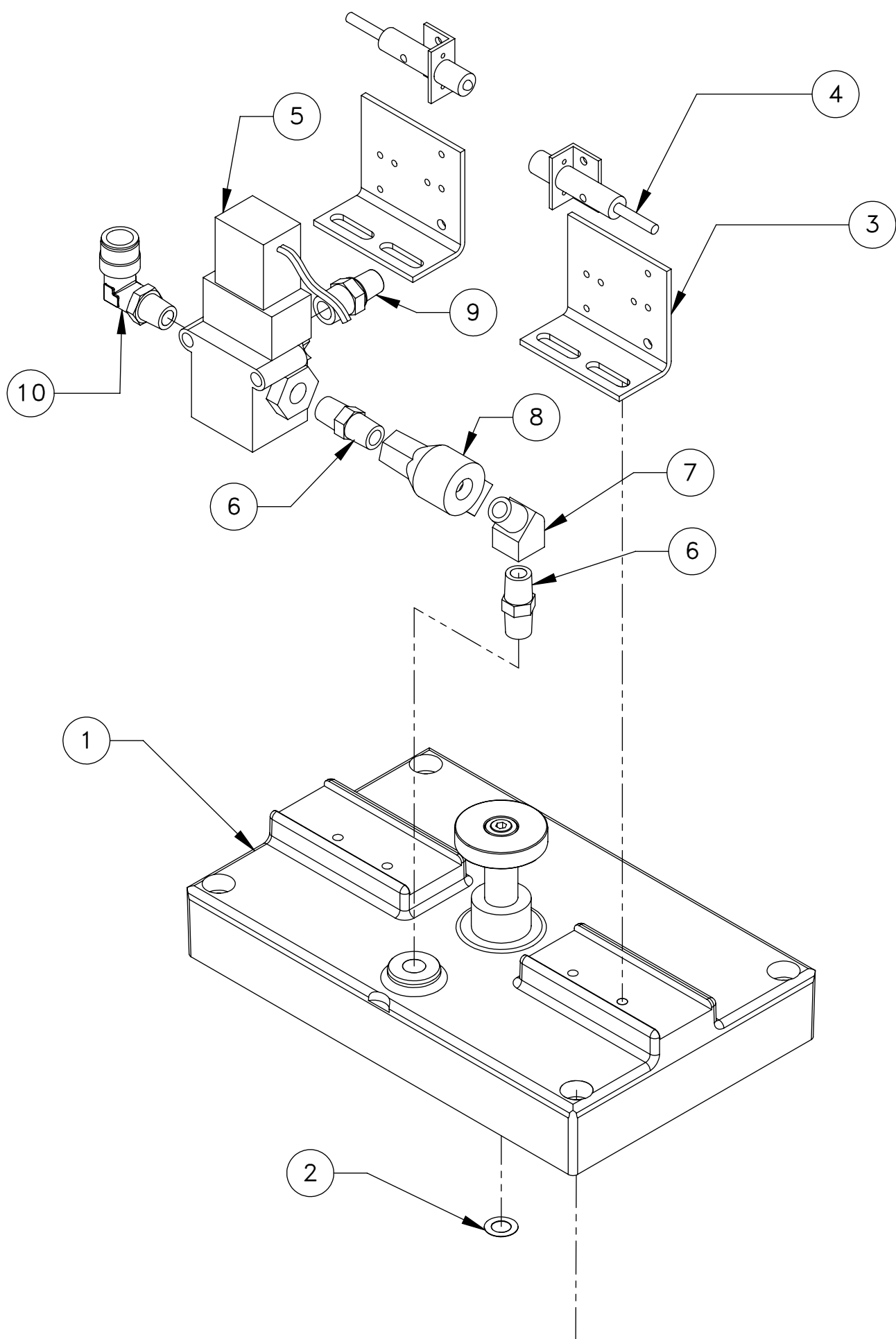
DESCRIPTION

EFFECTIVE DATE

MDC-500 SPINDLE HEAD ASSY 10K 40 TAPER

NOV-2010

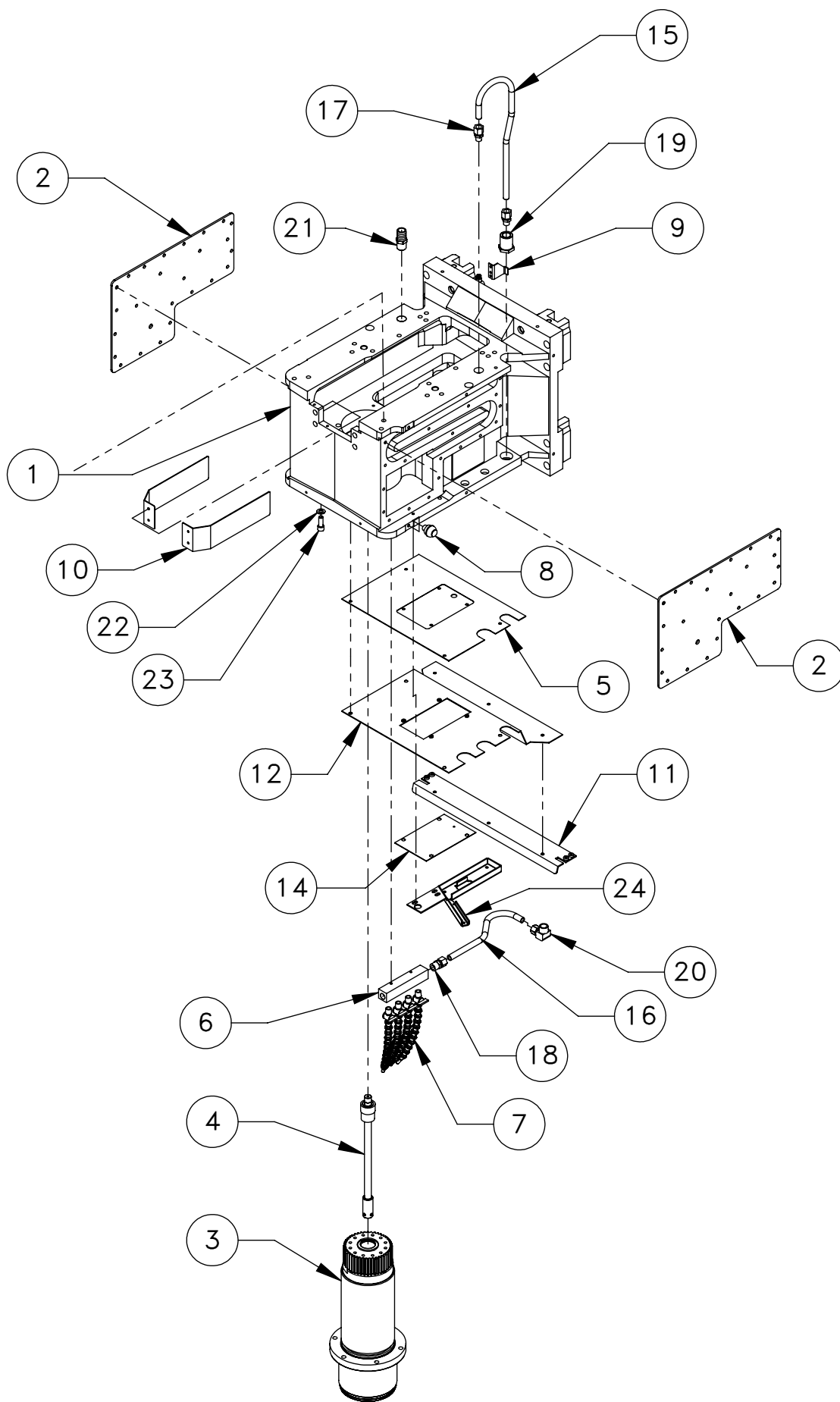
SAP DOC NO./VER: /



DETAIL C
SCALE 1 : 2.5

TRP ASSEMBLY

ITEM NO.	DESCRIPTION	QTY.
1	CYL HSNG MACHINED	1
2	WASHER 3/8 STEEL .010THK X .6350	3
3	SWITCH MOUNTING BRACKET 200/BOX 10,000	2
4	PROX SW NC 2WR 1.0M W/BRKT NONSH 4M	2
5	AIR BLAST SOLENOID	1
6	NIPPLE 1/4 NPT HEX PLTD BRASS	2
7	FITG NPT-1/4-F X NPT-1/4-M 45 BR	1
8	QUICK EXHAUST TRP SCHRDR/BELLOWS	1
9	AIR MUFFLER NPT-3/8-M EXTENDED BRONZE	1
10	FITG CAM-1/2 X NPT-1/4-M 90 HI	1



DETAIL D
SCALE 1 : 13
SPINDLE HEAD ASSEMBLY

f	DESCRIPTION	QTY.
1	SPNDL HEAD MACHINED VF-1 VF-1/2	1
2	COVER COOLANT JACKET WITH PORT	2
3	U/B SPINDLE 7.5K HC VF NON RUN-IN SPIN	1
4	DRAWBAR ASSY XHC	1
5	SOUNDFOAM BTTM HD CVR	1
6	MANIFOLD ASSY-CLNT NZLS	1
7	LOC-LINE, 1/4 SINGLE PIECE	4
8	SWITCH PSHBTN GRAY CABLE IP68	1
9	PRX SNSR TRIP FLAG VF Z-AXIS	1
10	BRACKET RETAINING THERMAL LINER 4	2
11	ADAPTOR PLATE-GORDILLO / SP HD-MDC-500	1
12	COVER SPINDLE HEAD BTTM	1
13	CBL CARRIER GORTRAC KLE2-10 26 LINK	1
14	INSPECTION COVER	1
15	TUBE COOLING JACKET	1
16	TUBE MANIFOLD CONNECTOR	1
17	FITG COMP-1/2 X NPT-1/2-M	2
18	FITG COMP-1/2 X NPT-3/8-M STR	1
19	FITG BKHD NPT-1/2 X 1.125 DIA PARKE	1
20	FITG NPT-1/2-M COMP-1/2 X 90 B	1
21	FITG HOSE BARB-3/4 X NPT-1/2-M	1
22	WASHER 3/8 SPLT LOCK PLT MED	1
23	SHCS 3/8-16 X 1	1
24	COVER, CABLE, PCOOL	1

SHEET 5 OF 5

EFFECTIVE DATE

MDC-500 SPINDLE HEAD ASSY 10K 40 TAPER

NOV-2010

SAP DOC NO./VER: /