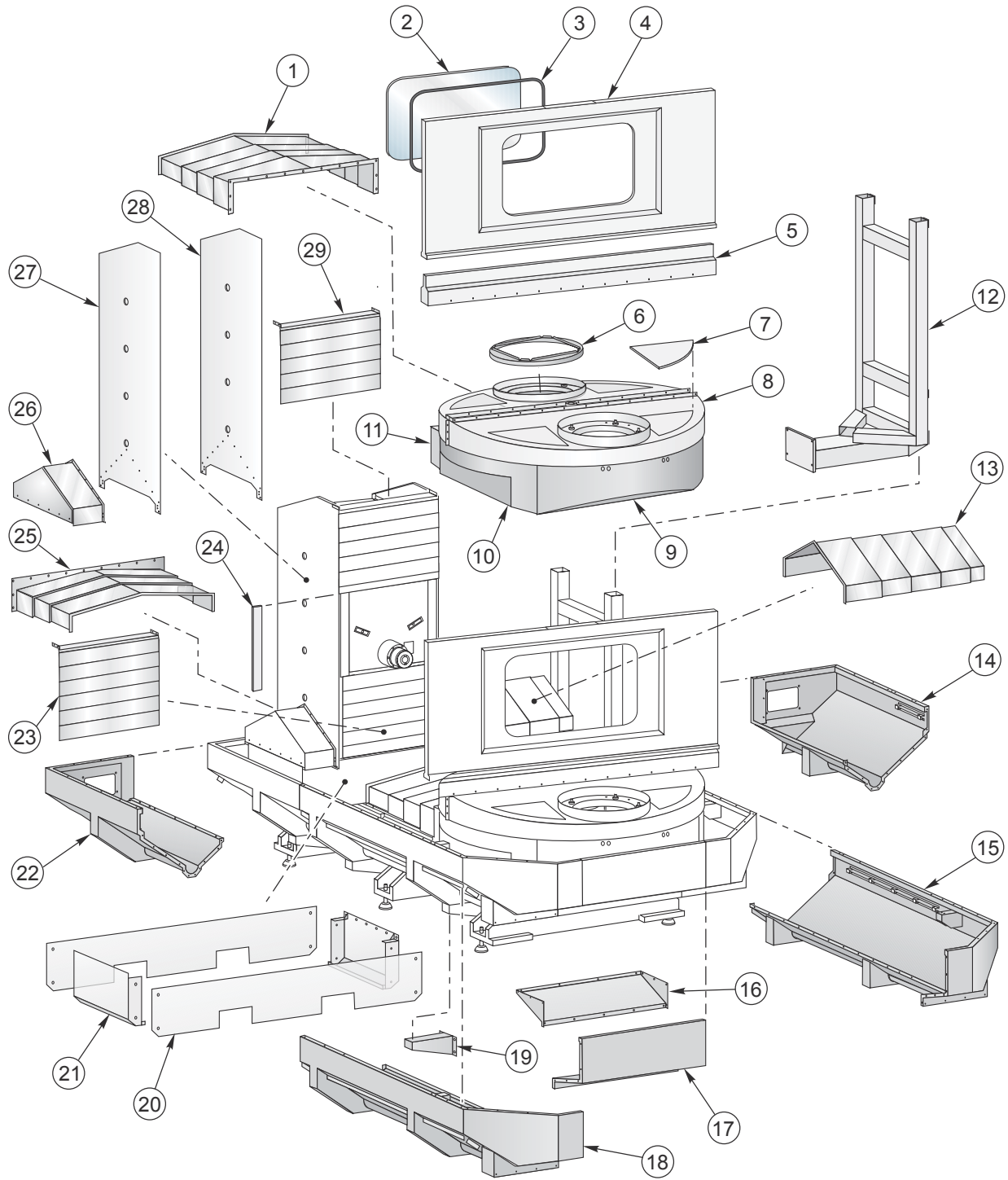




HS-2RP - Internal Enclosure



1. Z-Axis Front Waycover
2. Front Window
3. Window Weather Strip
4. Rotating Door
5. Rotating Door Guide
6. Pallet Shroud
7. Pallet Changer Access Cover (4)
8. Pallet Changer Top Cover
9. PC Section Front Bottom Cover
10. PC Section Side Bottom Cover (2)
11. PC Section Rear Bottom Cover
12. Control Box Support
13. X-Axis Waycover
14. Right Rear Side Pan
15. Right Front Side Pan
16. Intermediate Pan
17. Front Pan
18. Left Front Side Pan
19. Side Pan Brace (6)
20. Saddle Cover Side Panel (2)
21. Saddle Cover End Panel (2)
22. Left Rear Side Pan
23. Y-Axis Lower Bellow
24. Y-Axis Chip Guard (2)
25. Z-Axis Rear Waycover
26. X-Axis Waycover
27. Y-Axis Left Bellow Guide
28. Y-Axis Right Bellow Guide
29. Y-Axis Upper Bellow