

**POCKET ASSEMBLY
DETAIL A
SCALE 1 : 6**

ITEM NO.	DESCRIPTION	QTY.
1	30-8226 INSERT SLIDE ASSEMBLY	1
2	30-8103 CAROUSEL ASSEMBLY SMTC40/70	1
3	WASHER 1.0 OD X .630 ID +.005/- .000 X .	140
4	NUT 5/8-18 JAM PLT LOCKING	70
5	CAM FOLLOWER 1 DIA	70
6	MACHINING PIVOT SECTION SMTC40/70	5
7	DOWEL PIN 1/2 X 1 1/2	10
8	SHCS 3/8-16 X 1 1/4 W/BLOCK LOCTITE	40
9	SHCS 5/16-18 X 1/2	20
10	MACHINING MOUNT SMTC	1
11	SHAFT 60 PCKT CAROUSEL	1
12	NUMBER PLATE 1-14 CT STYLE SMTC40	1
13	NUMBER PLATE 15-28	1
14	NUMBER PLATE 29-42 CT STYLE SMTC40	1
15	NUMBER PLATE 43-56 SMTC40/70	1
16	NUMBER PLATE 57-70 SMTC40/70	1
17	40T TOOL POCKET MACHINING	1
18	SHAFT TOOL POCKET	1
19	PLUNGER TOOL POCKET	4
20	NUT 3/8-24 JAM	1
21	CAM FOLLOWER 3/4 HEX	1
22	SPRING TOOL POCKET SMTC-40T	1
23	SHCS 1/2-13 X 1 1/2 W/PTH	1
24	BHCS 1/4-20 X 1 TORX 27 TORX 27 DRIVE	70
25	WASHER, 1/2" ID X .125 THK X 1.125 OD, HARD, BLK OX #275-25	6
26	DOWEL PIN 1/2 X 2	2
27	BEARING DEEP GROOVE 6010ZZW/NON-METALLIC	2
28	PLUG HOLE 3.375 BLACK	1

SHEET 1 OF 6

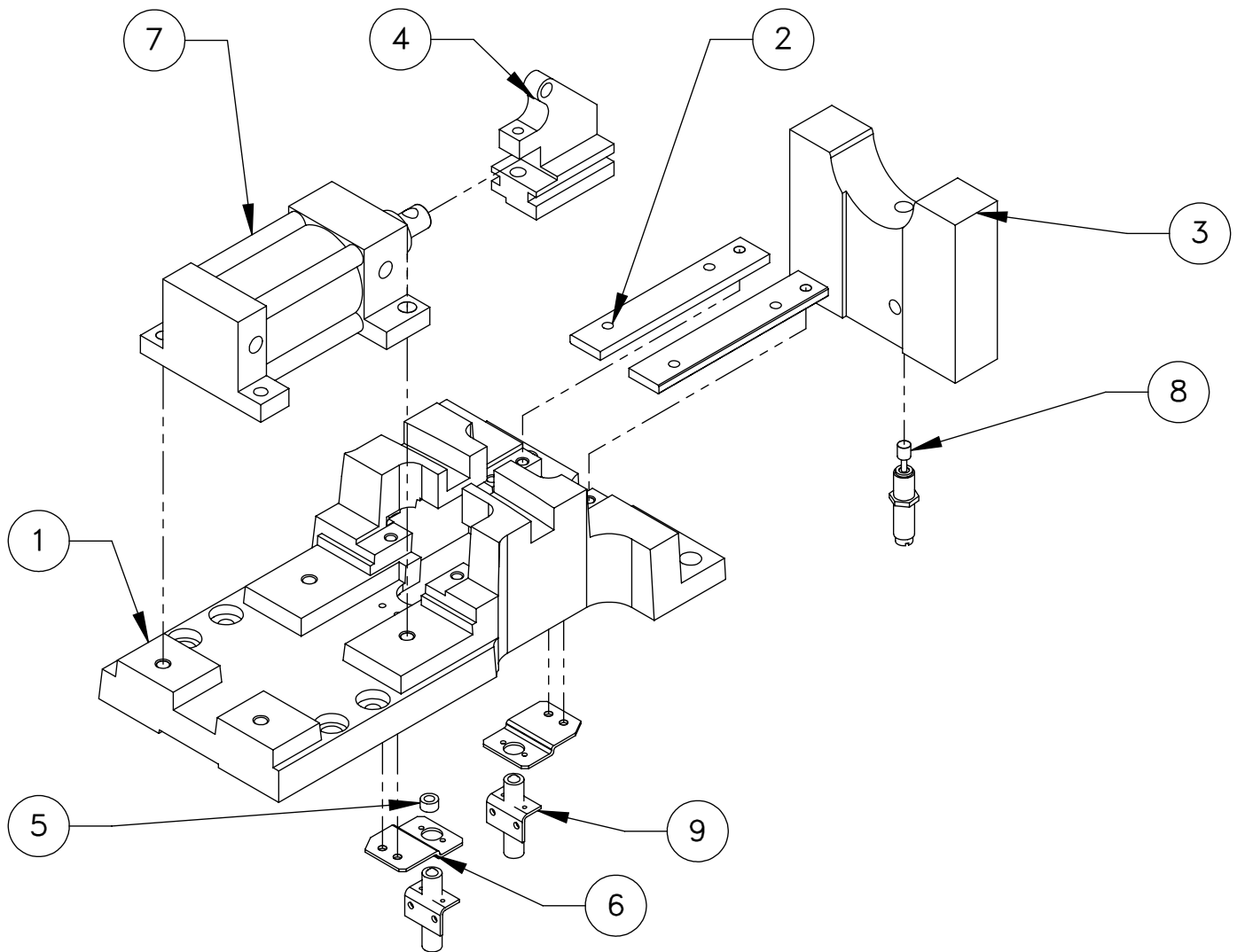
DESCRIPTION

EFFECTIVE DATE

EC 70 POCKET SMTC ASSEMBLY 40 TAPER

MAY-2005

SAP DOC NO./VER: /



POCKET AIR CYLINDER ASSEMBLY

ITEM NO.	PART DESCRIPTION	QTY.
1	MACHINING SLIDE INSERT SMTc40/70	1
2	RAIL POCKET SLIDE	2
3	STOP POCKET SMTc60 STARTED ON SECO	1
4	SLIDE POCKET SMTc40/70	1
5	BUSHING EXTRACTOR	1
6	MOUNTING BRACKET	2
7	AIR CYL 2.0 X 2.80	1
8	SHOCK ABSORBER SELF COMPENSATING ST	1
9	PROXY SWITCH BRACKET	2

SHEET 2 OF 6

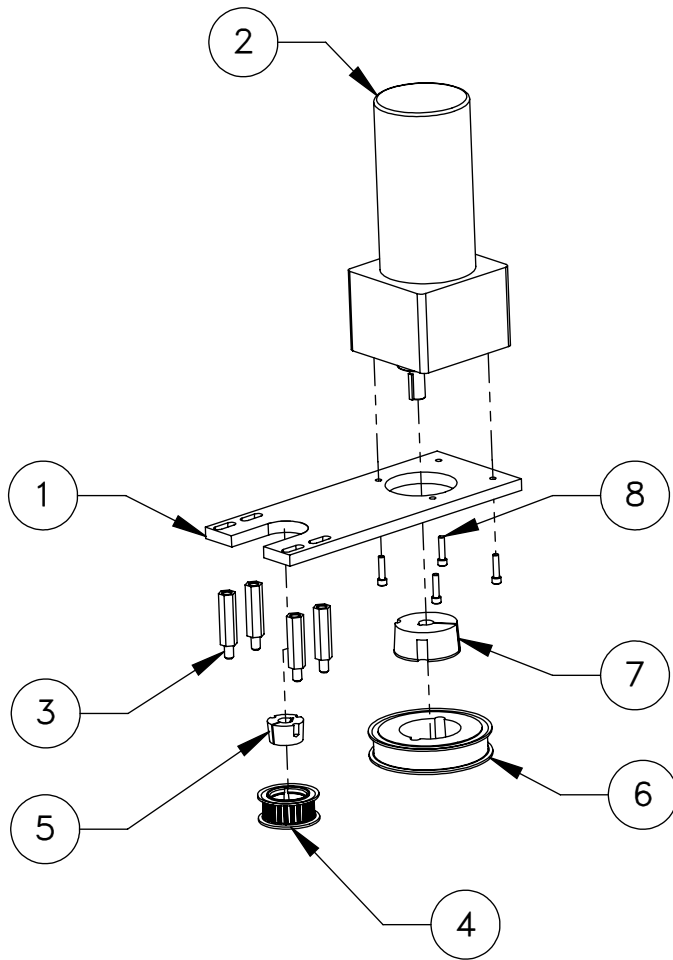
DESCRIPTION

EFFECTIVE DATE

EC 70 POCKET SMTc ASSEMBLY 40 TAPER

MAY-2005

SAP DOC NO./VER: /



CAROUSEL MOTOR ASSEMBLY

ITEM NO.	PART DESCRIPTION	QTY.
1	MOTOR MOUNT CAROUSEL SMTc40/70	1
2	SHUTTLE MTR 40T T/C	1
3	STANDOFF MOTOR PLATE	4
4	SPKT HTD P22-8M-20-1108	1
5	BUSHING TL 1108x5/8 WITH INTEGRAL K	1
6	SPKT HTD P48-8M-20-2012	1
7	BUSHING TAPER LOC 2012	1
8	SHCS 1/4-28 X 1	4

SHEET 3 OF 6

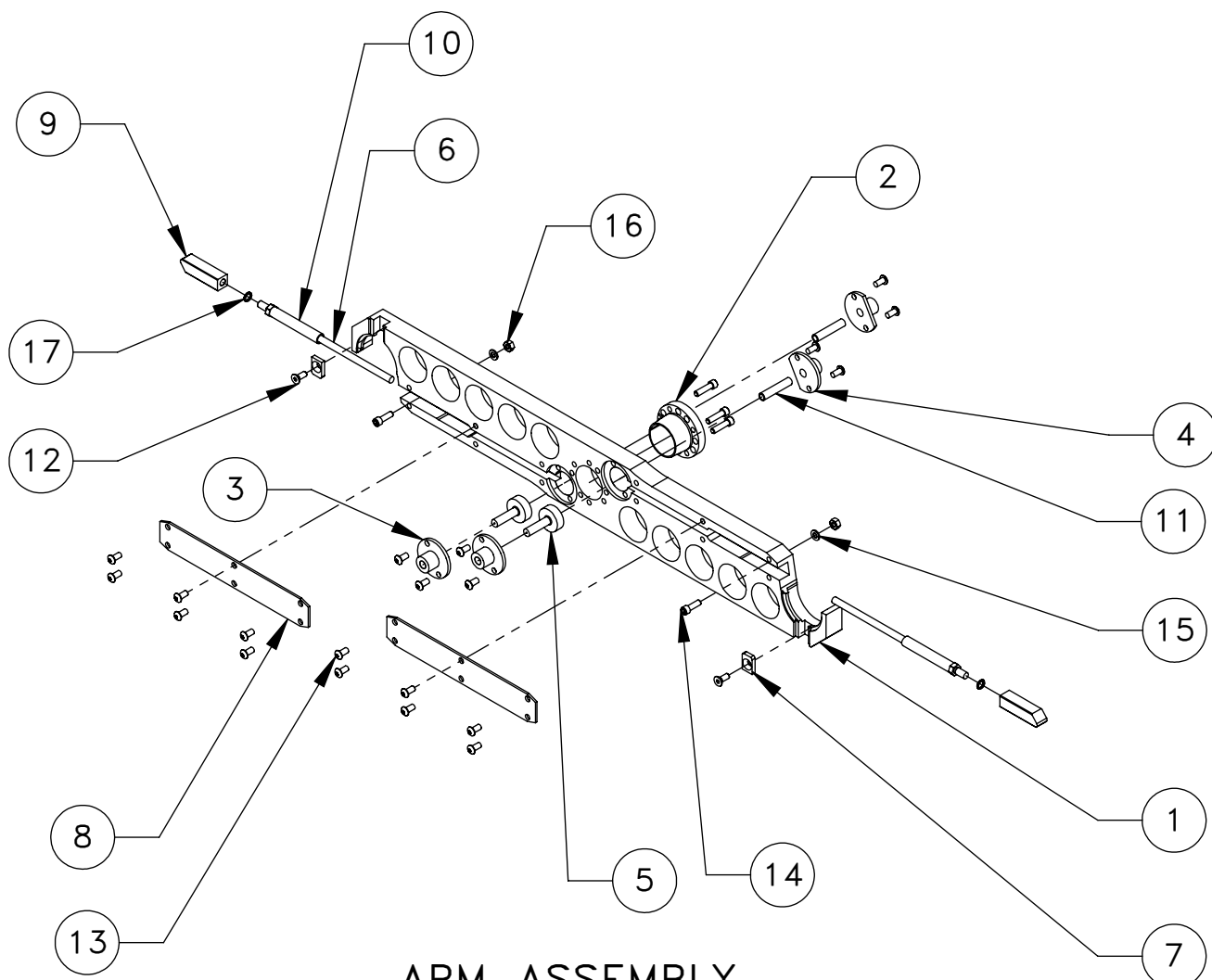
DESCRIPTION

EFFECTIVE DATE

EC 70 POCKET SMTc ASSEMBLY 40 TAPER

MAY-2005

SAP DOC NO./VER: /



ARM ASSEMBLY

ITEM NO.	PART DESCRIPTION	QTY.
1	DB ALARM CT40 13.5	1
2	HUB ARM	1
3	CAP PLUNGER ARM ATC	2
4	CAP SPRING ARM ATC	2
5	PLUNGER ARM ATC	2
6	ADJUSTER ARM 40-40SS	2
7	KEY ARM ATC	2
8	COVER DOUBLE ARM	2
9	SLIDE ARM CT-40	2
10	SPRING C0480-059-3000-M	2
11	SPRING C0360-0470-M	2
12	FHCS 1/4-20 X 5/8 NYLON PATCH	2
13	BHCS 1/4-20 X 1/2 ZINC PLATED	20
14	SHCS 1/4-20 X 3/4 LOCTITE BLACK OXIDE	2
15	WASHER 1/4 SPLT LOCK PLT MED	2
16	NUT 1/4-20 HEX BLK	2
17	WASHER 5/16 STEEL .010 THK X .4380	12

SHEET 4 OF 6

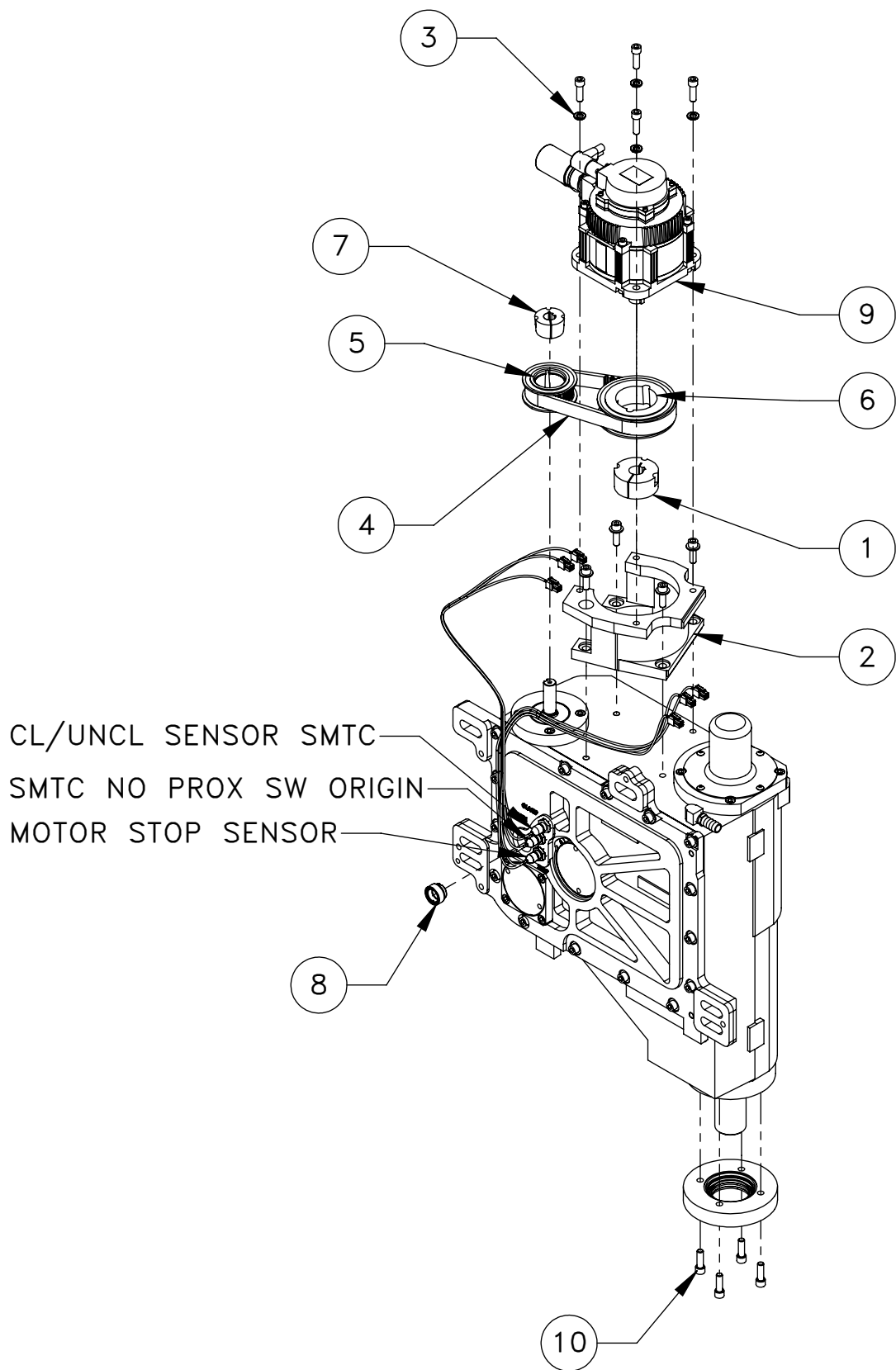
DESCRIPTION

EFFECTIVE DATE

EC 70 POCKET SMTc ASSEMBLY 40 TAPER

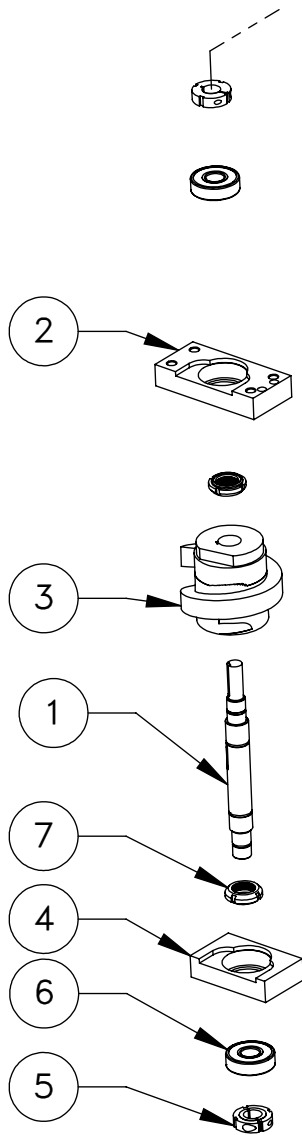
MAY-2005

SAP DOC NO./VER: /



**CAMBOX
 ASSEMBLY**

ITEM NO.	DESCRIPTION	QTY.
1	BUSHING TAPERLOCK MOD PER DWG	1
2	MOTOR MOUNT SERVO SMTC	1
3	WASHER 5/16 SPLT LOCK PLT	4
4	DRV BELT PGGT 8MX20 480-8M-20	1
5	SPKT HTD P24-8M-20-1108	1
6	SPKT HTD P36-8M-20-1610	1
7	BUSHING TL 1108X5/8 WITH INTEGRAL K	1
8	SIGHT GLASS LSP501-08RG	1
9	SRVOMTR YASK SIGMA-5 09 W/O BRAKE	1
10	SHCS 5/16-18 X 1	1



CAROUSEL CAM
ASSEMBLY
DETAIL B
SCALE 1 : 8

ITEM NO.	DESCRIPTION	QTY.
1	SHAFT CAROUSEL CAM	1
2	BLOCK BEARING SMTc60	1
3	CAROUSEL CAM SMTc40/70 USED ON SMTc 40	1
4	SUPPORT CAROCAM TOP	1
5	BEARING LOCKNUT TCN-04-F RULAND MFG ONLY	2
6	BEARING RADIAL 304PP	2
7	BEARING LOCKNUT BH-05	2

SHEET 6 OF 6

DESCRIPTION

EFFECTIVE DATE

EC 70 POCKET SMTc ASSEMBLY 40 TAPER

MAY-2005

SAP DOC NO./VER: /