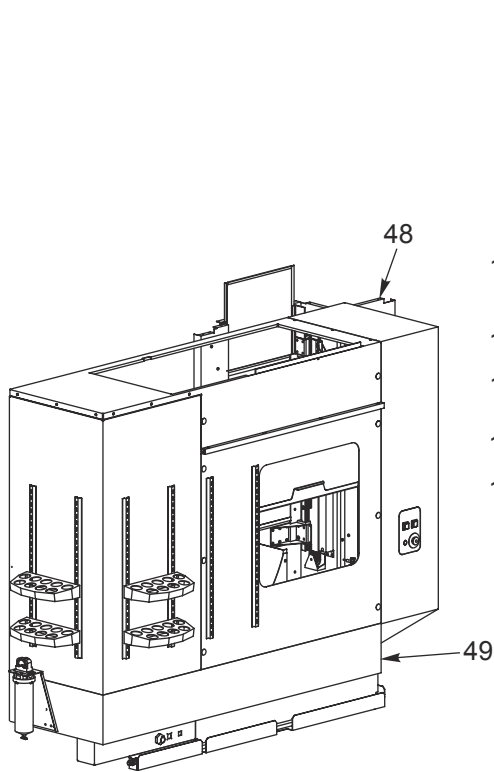
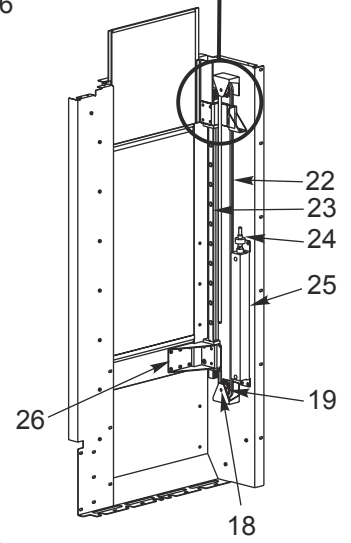
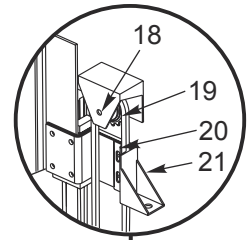
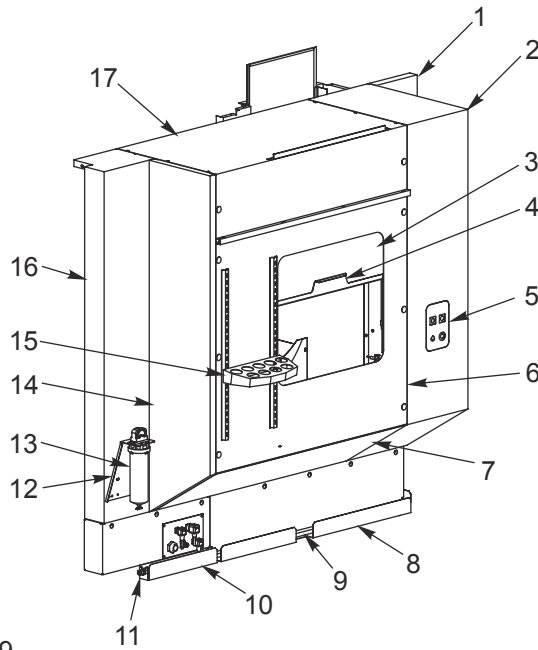




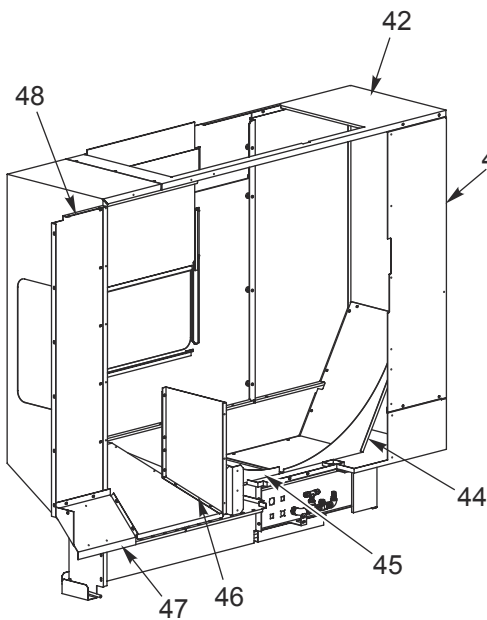
EC-400 - Tool Changer Panels - 60/70 Pocket



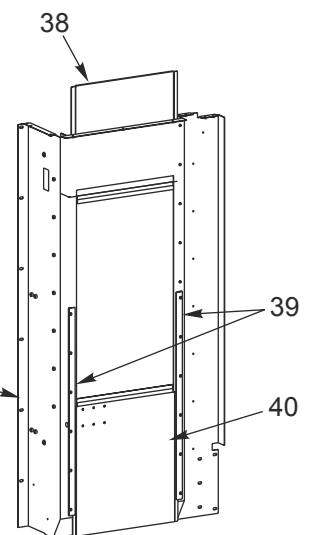
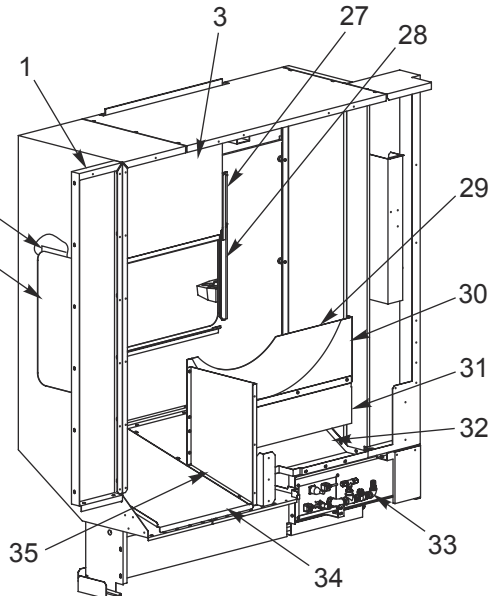
SMTC 60 Pocket Only



TC Door Assembly



SMTC 60 Pocket Only
(View Rotated 180°)



TC Door Assembly
(View Rotated 180°)

1. Left intermediate panel
2. Tool changer panel
3. TC access window
4. Plate window handle
5. SMTC switch box
SMTC side panel
6. SMTC side panel
7. TC pan
8. Left rear apron
9. Coolant drain tube
10. TC panel rear apron
11. Bulkhead fitting
LBO fitting (2)
12. TSC filter
13. TSC filter bracket
14. TC rear panel
15. Tool tray
16. Left rear panel
17. TC panel header
18. Spacer (2)
19. Idler assembly
20. Chain Retainer
21. TC door top connect bracket
22. Chain
23. Linear guide
24. Cylinder rod aligner
25. Air cylinder
26. TC door bottom connect bracket
27. Opposite window rest (2)
28. TC window extrusion (2)
29. TC left chip shield 24TL
30. TC left chip shield 40TL
31. TC coolant drip pan
32. TC pan
33. Coolant fitting assembly
34. TC panel lower chip shield
35. TC front chip shield
36. window TC panel operator door
37. TC operator door window Z-frame
38. Top door
39. Door guide
Door guide spacer
40. Bottom door
41. TC internal panel
42. SMTC60 top panel
43. SMTC70 rear panel
44. SMTC70 rear chip shield
45. SMTC60 front chip shield
46. TC front chip shield
47. Left lower panel chip shield
48. Left upper panel chip shield
49. SMTC70 bottom pan