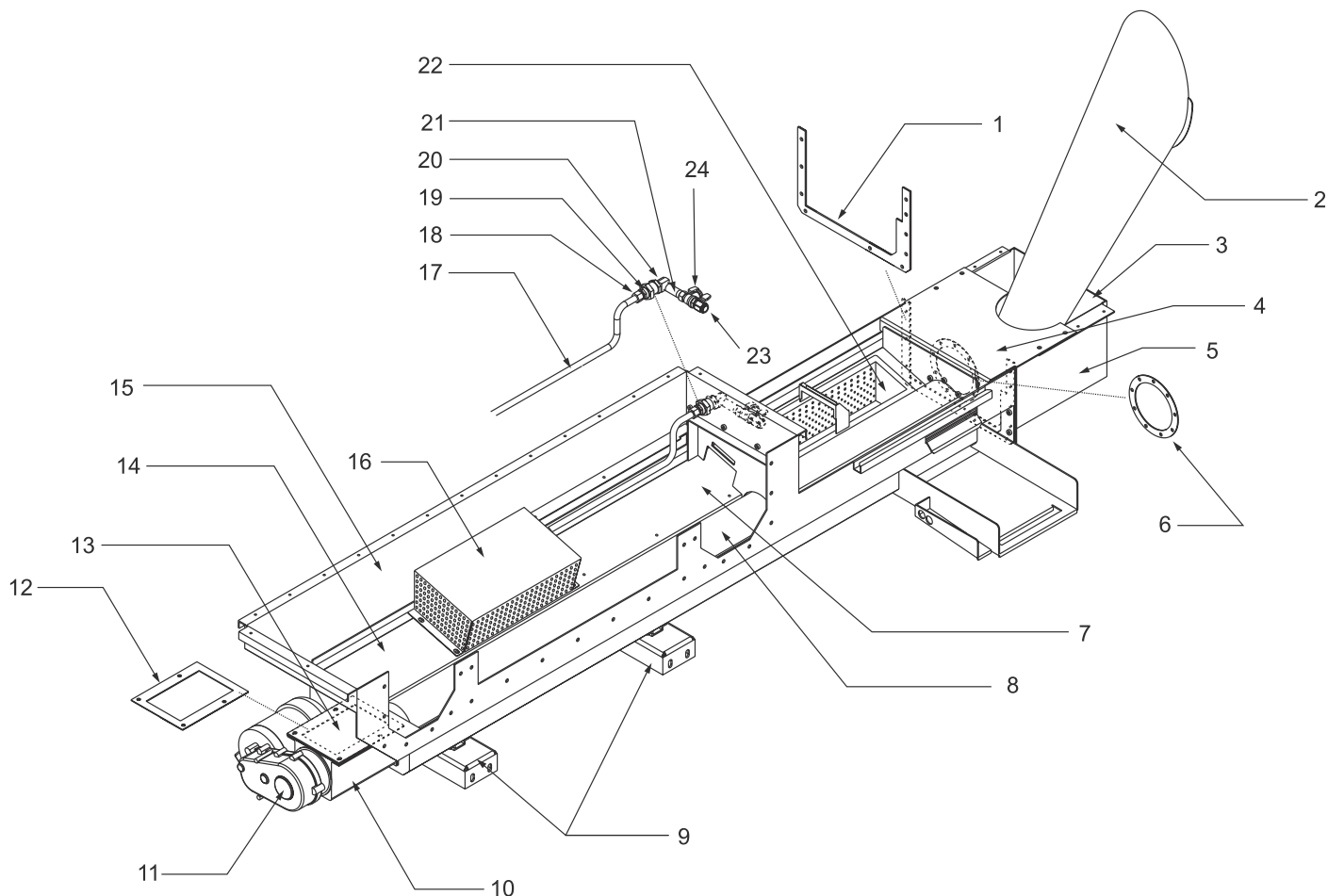




EC-400 - Front Trough - Auger System



- 1. Gasket Coolant Trough
- 2. Chute Discharge
- 3. End Chute Cover
- 4. Coolant Trough Extension COver
- 5. Extension Box Front Trough
- 6. Gasket Discharge
- 7. Coolant Channel
- 8. Auger Front
- 9. (2X) Brace Auger Trough
- 10. Extension Box Auger Motor
- 11. Motor 115V 1/4HP 15 RPM
- 12. Gasket Extension Box Top
- 13. Extension Box Top
- 14. Front Auger Trough
- 15. Coolant Trough
- 16. Auger Trough Screen
- 17. Nozzle Assembly Screen Washdown
- 18. Fitting Comp 1/2 x NPT 1/2M
- 19. Fitting BKHD NPT 3/8 x 1 Dia
- 20. Fitting NPT 3/8F x NPT 3/8M 90 Brass
- 21. Nipple 3/8 NPT x 2 1/2 Brass
- 22. Chip Basket
- 23. Fitting LBO 1/2 NPT 3/8M STR
- 24. Fitting LBO 1/2 NPT 3/8M STR