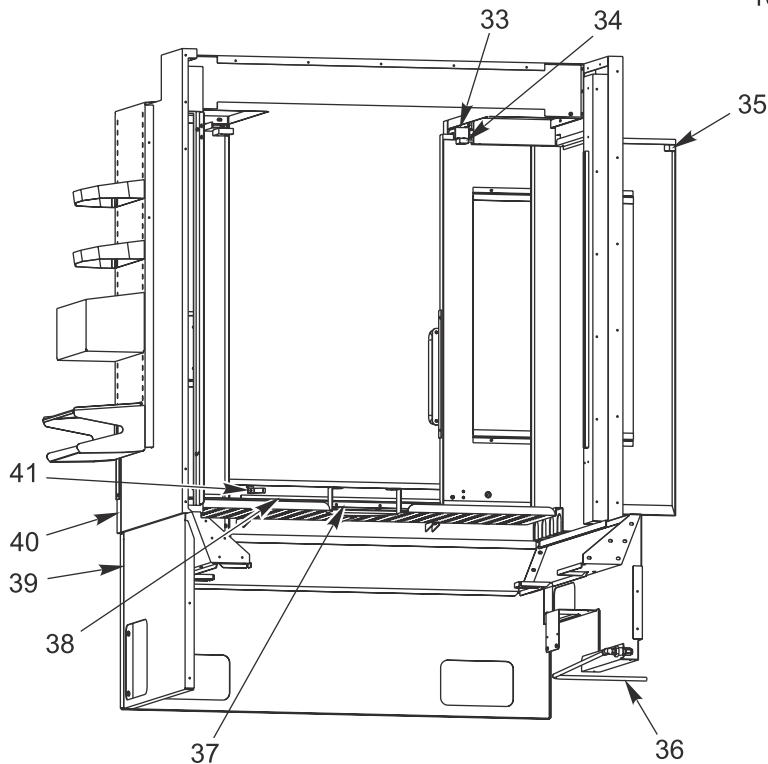
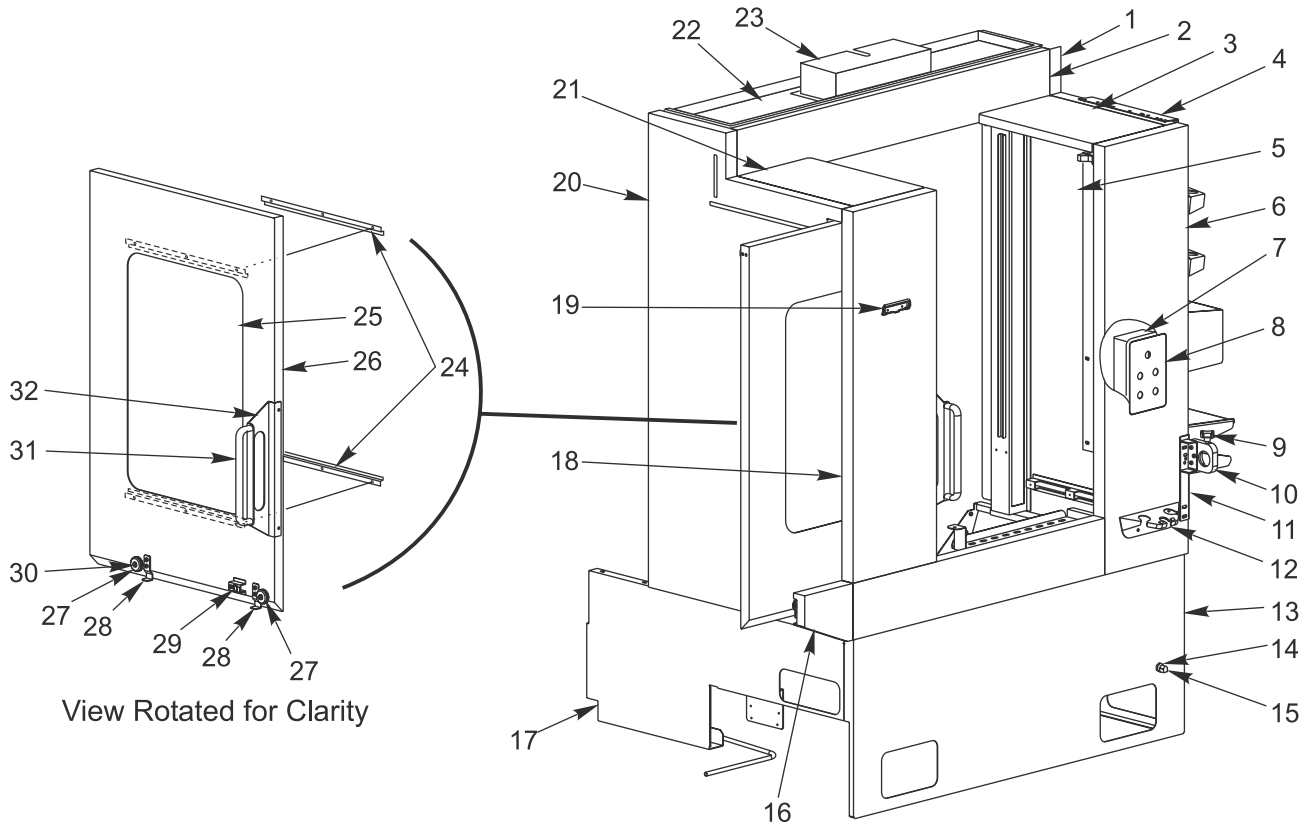




EC-400 - Front Enclosure Panels



Back View (Looking Up)

1. Panel Side Top Right
2. Header Enclosure
3. Stiffener Bracket
4. Rack Tool Tray
5. Panel Side Top Right
6. Panel Front Right
7. Cover Switch Box
8. Panel Front Switch Box
9. Knob and Screw
10. Tool Hodler Block
11. Bracket Tool Holder
12. Nozzle Holder Backet
13. Panel Front Right
14. Fitg bkhd NPT 1/4 x .750 dia
15. Fitg NPT 1/4F x NPT 1/4M 90 Brass
16. Pan Front Upper
17. Apron Left Front
18. Panel Front Left
19. Wire Clip
20. Panel Side Left Top
21. Stiffner brkt panel left
22. Top Cover Front
23. J-Box Top Cover
24. Z-Frame Front Door Window
25. Window Door Front
26. Door Front
27. Guide Wheel
28. Door Hook
29. Latch Spring
30. (4X) Bottom Door Spacer
31. Handle Door
32. Mount Door Handle
33. Door Guide Bracket
34. Front Door Clse Switch
35. Door Switch Dog
36. Coolant Drain Tube
37. Rail Spacer
38. V-Track Door
39. Apron Right Front
40. Panel Side Right Top
41. Latch Spring