

ITEM NO.	DESCRIPTION	QTY.
1	MOUNT, SIDE AUGER	1
2	GASKET CONVEYOR MTR	1
3	HIGH LEAD AUGER VF-3	1
4	CHIP AUGER MOTOR BODINE	1
5	MOTOR COUPLING CONVEYOR	1
6	CHIP CONVEYOR SPACER	1
7	GASKET MOUNT COVER EC400 CAST TOOLCHANGE	1
8	COVER AUGER MOUNT	1
9	GASKET, SIDE AUGER MOUNT	1
10	COVER AUGER MOUNT TOP	1
11	GASKET AUGER COVER TOP	1
12	EXTENSION AUGER CPLNG 3.5	1
13	5/16 SPLIT WASHER	2
14	5/16-18 HEX NUT, STEEL, ZINC	2
15	SHCS 5/16-18 X 2 1/2	2
16	SSS 1/4-20 X 3/8 CUP PT WITH NYLOCK PEL	2
17	WASHER 5/8 STEEL .048THK X 1 1/4	1
18	WASHER 5/8 WAVE BLK	1

SHEET 1 OF 2

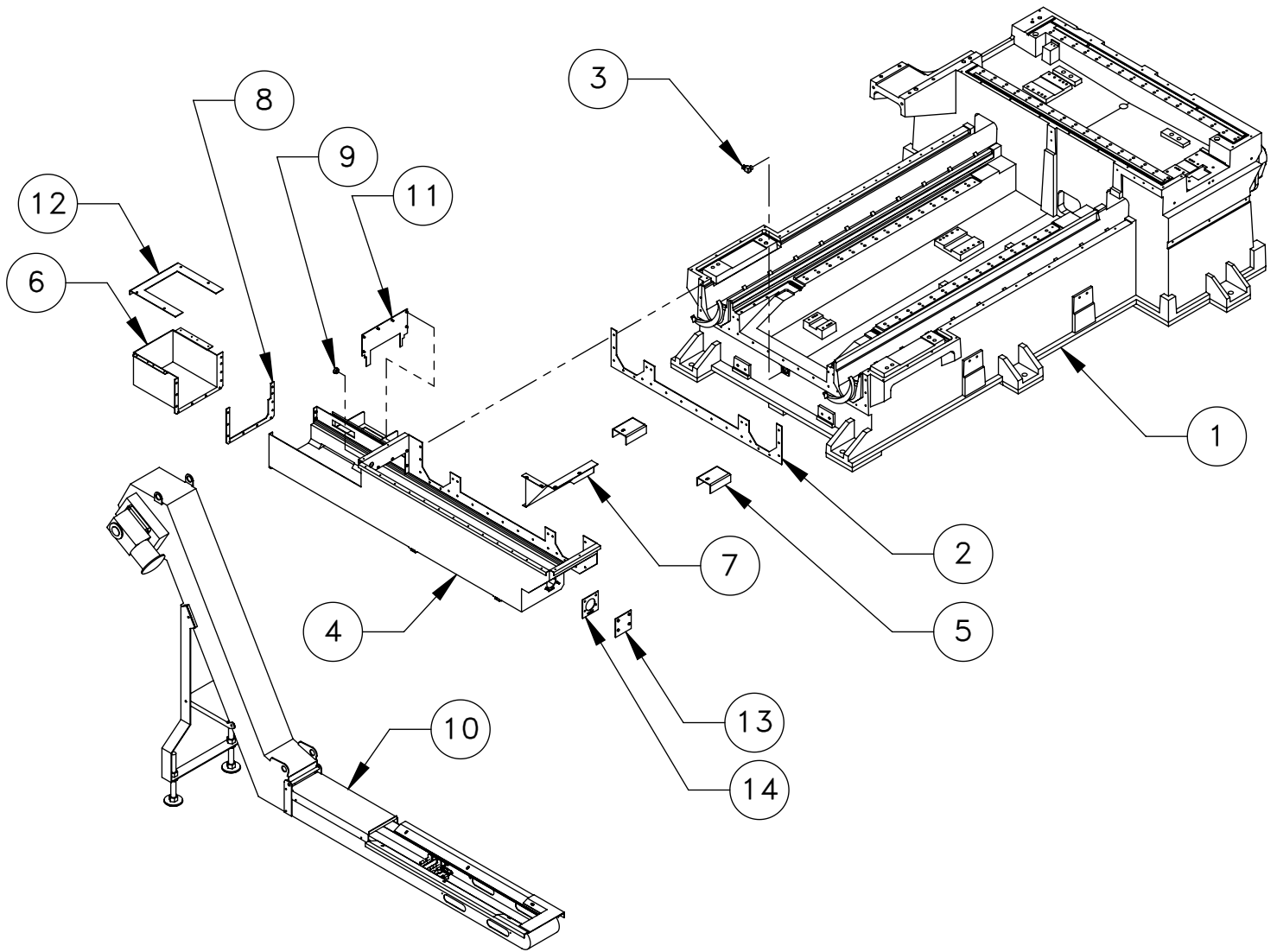
DESCRIPTION

EFFECTIVE DATE

EC-400 CHIP CONVEYOR SYSTEM

AUG-2003

SAP DOC NO./VER: /



ITEM NO.	DESCRIPTION	QTY.
1	BASE MACHINED CASTING EC-400	1
2	GASKET FRONT TROUGH EC400	1
3	FITG NPT-1/2-M COMP-1/2 X 90 B	1
4	COOLANT TROUGH	1
5	BRACE AUGER TROUGH EC400	2
6	COOLANT TROUGH EXT	1
7	CHIP SHIELD FRONT TROUGH	1
8	GASKET COOLANT TROUGH EXTEC400	1
9	1 IN DIA HOLE PLUG HEYCO 2713	1
10	CHIP CONVEYOR EC-400	1
11	CONVEYOR CHIP SHIELD TROUGH EC-400/C	1
12	EXT. COVER CHIP CONVEYOR	1
13	MOTOR ACCESS COVER	1
14	GASKET EXTENSION BOX FRNTEC400	1

SHEET 2 OF 2

DESCRIPTION	EFFECTIVE DATE
EC-400 CHIP CONVEYOR SYSTEM	AUG-2003
	SAP DOC NO./VER: /