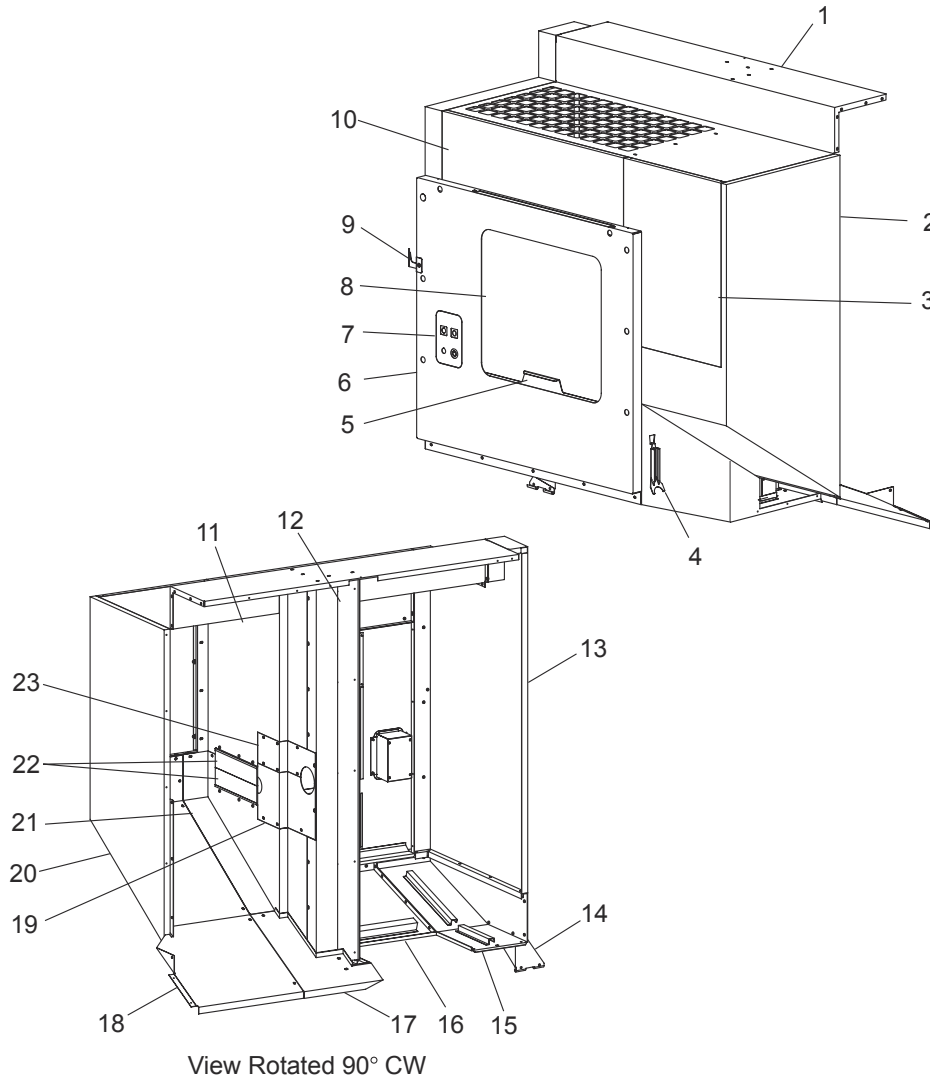




# EC-300 - Tool Changer Panels



- |                                |                                   |
|--------------------------------|-----------------------------------|
| 1. Tool Changer Top Cover      | 13. T.C. Rear Panel               |
| 2. T.C. Front Panel            | 14. Separator Return Line Bracket |
| 3. T.C. Side Panel             | 15. T.C. Rear Pan                 |
| 4. Removal Tool 40T Holder     | 16. T.C. Front Pan                |
| 5. Plate Window Handle         | 17. T.C. Top Chip Shield          |
| 6. T.C. Access Panel           | 18. T.C. Front Chip Shield        |
| 7. Remote Switch Box           | 19. T.C. Access Bottom Bulkhead   |
| 8. T.C. Access Window          | 20. T.C. Front Panel              |
| 9. Wash Handle Holding Bracket | 21. Lower Bulkhead                |
| 10. T.C. Header Panel          | 22. Nylon Strip Brush (2x)        |
| 11. Top Bulkhead               | 23. T.C. Access Top Bulkhead      |
| 12. Mounting Bulkhead          |                                   |