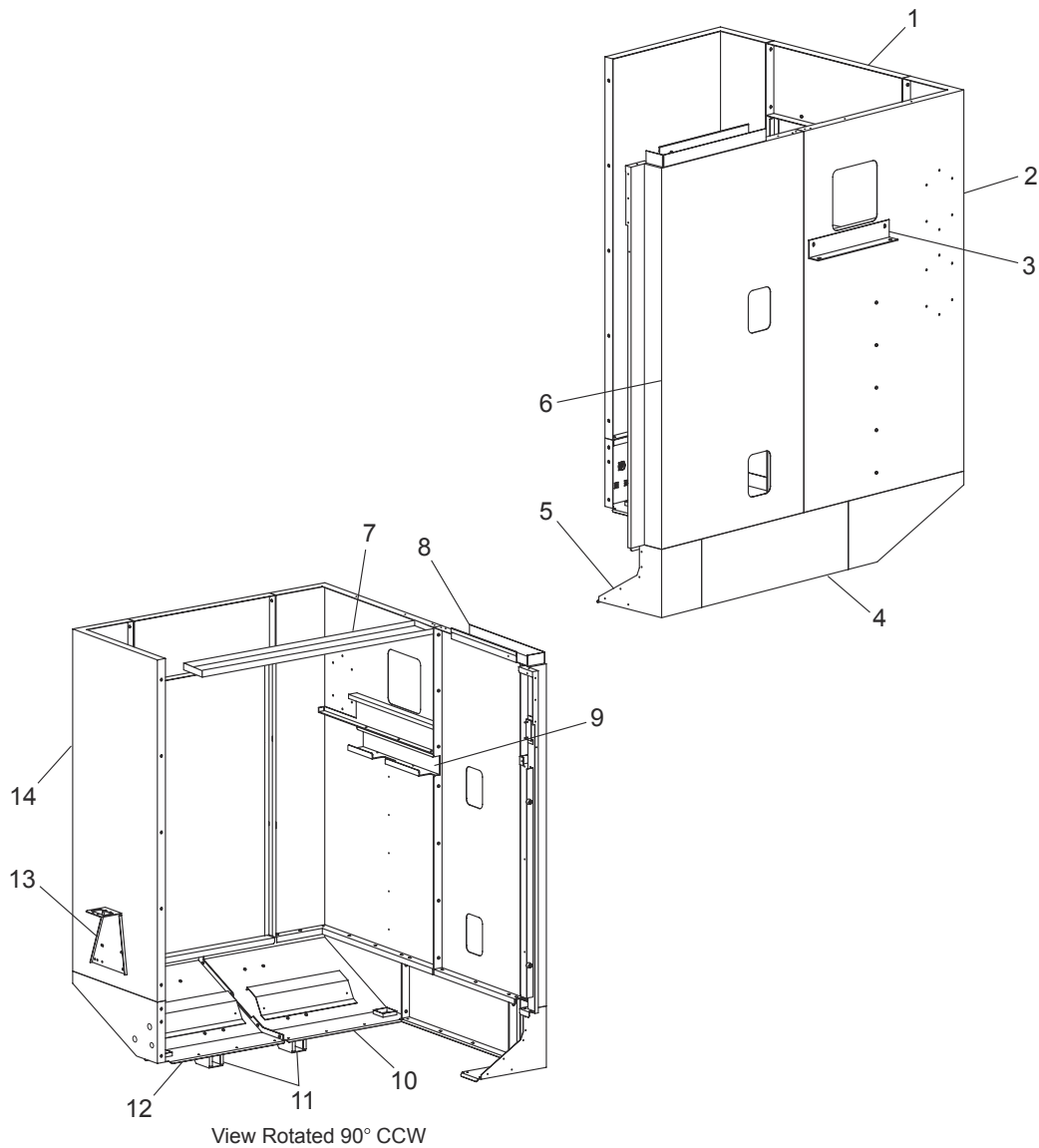




## EC-300 - Rear Enclosure



1. Rear Header
2. Rear Control Box Panel
3. Control Support Mounting Bracket
4. Control Intermediate Pan
5. Front Control Pan
6. Front Control Box Panel
7. Top Panel Support Brace
8. Control Top Panel Tray
9. Control Box Panel Tray
10. Rear Control Pan
11. Rear Panel support Bracket (2x)
12. Rear Left Pan
13. TSC Filter Bracket
14. Rear Left Panel