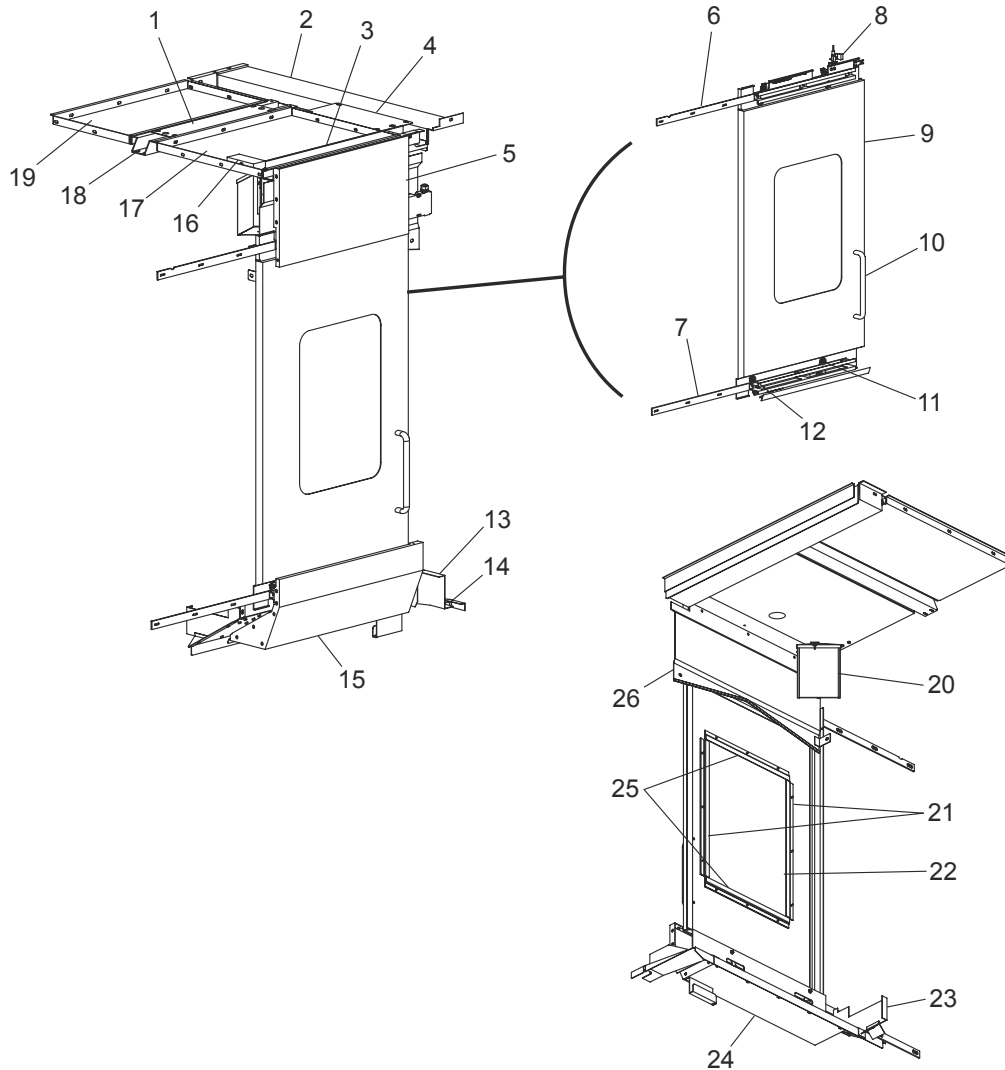




EC-300 - Operator Door



View Rotated 180° (Looking Up)

- 1. Center Channel Cover Plate
- 2. Cable Channel Cross Top
- 3. Top Operator Side Cables Tray
- 4. Cable Channel Cover Plate
- 5. Right Intermediate Top Panel
- 6. Operator Door Upper Door Rail
- 7. Operator Door Lower Door Rail
- 8. Operator Door Trip Bracket
- 9. Operator Door
- 10. Red Door Handle
- 11. Operator Door Right Roller Assembly (2x)
- 12. Operator Door Left Roller Assembly (2x)
- 13. Left End Hinge Assembly
- 14. Auger Motor Cable Tray
- 15. Right Intermediate Pan
- 16. Cover Lamp Connector
- 17. Operator Side Top Cover
- 18. Top Center Channel
- 19. Tool Changer Side Top Cover
- 20. Mylar Reflector Lamp Assembly
Adjust Work light Bracket
- 21. Operator Door Side Z-Frame
- 22. Operator Door Side Window
- 23. Right Chip Shield PC Wing
- 24. Operator Side Lower Chip Shield
- 25. Door Window Z-Frame (2x)
- 26. Operator Side Top Chip Shield