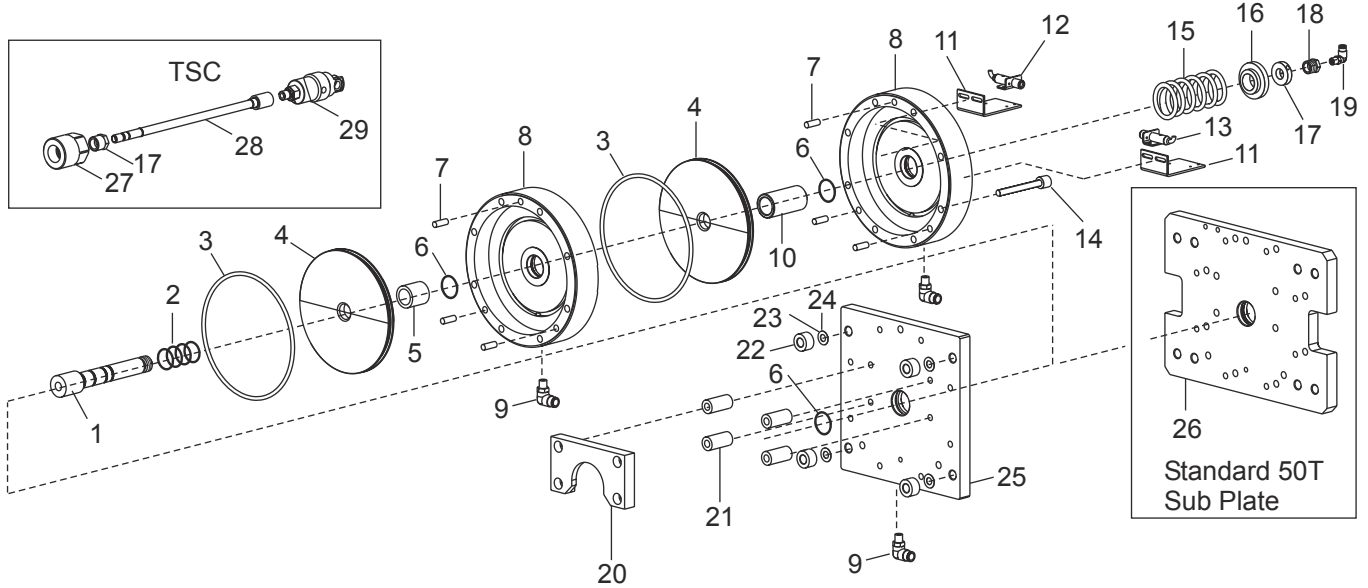




# EC-1600 - Tool Release Piston



- |                           |                              |
|---------------------------|------------------------------|
| 1. Air Cyl. Shaft         | 16. Spring Retainer          |
| 2. O Ring 2-121 (4X)      | 17. Shaft Clamp              |
| 3. O Ring 2-448 (2X)      | 18. Reducer                  |
| 4. Air Cyl. Piston (2X)   | 19. 90 Elbow                 |
| 5. Lower Air Cyl. Spacer  | 20. Spindle Fork Lift        |
| 6. O Ring 2-327 (3X)      | 21. Spindle Fork Spacer (4X) |
| 7. Dowel Pin (6X)         | 22. (22-0014) Spacer (4X)    |
| 8. Air Cyl. Housing       | 23. Washer .010              |
| 9. 90 Degree Elbow (3X)   | 24. Washer .018              |
| 10. Upper Air Cyl. Spacer | 25. Sub Plate (EC-1600)      |
| 11. Switch Bracket (2X)   | 26. Sub Plate                |
| 12. Clamp Prox Switch     | 27. Bearing Holder           |
| 13. Unclamp Prox Switch   | 28. Extension Tube           |
| 14. SHCS ½-13x5 (8X)      | 29. Rotating Union           |
| 15. Compression Spring    |                              |