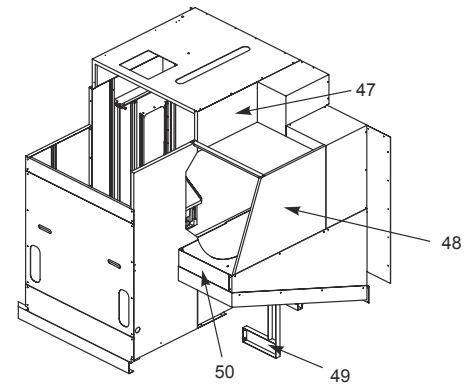
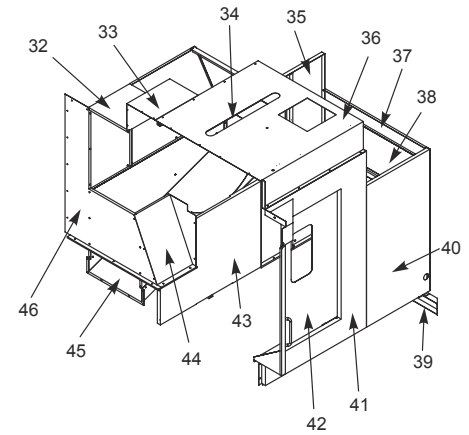
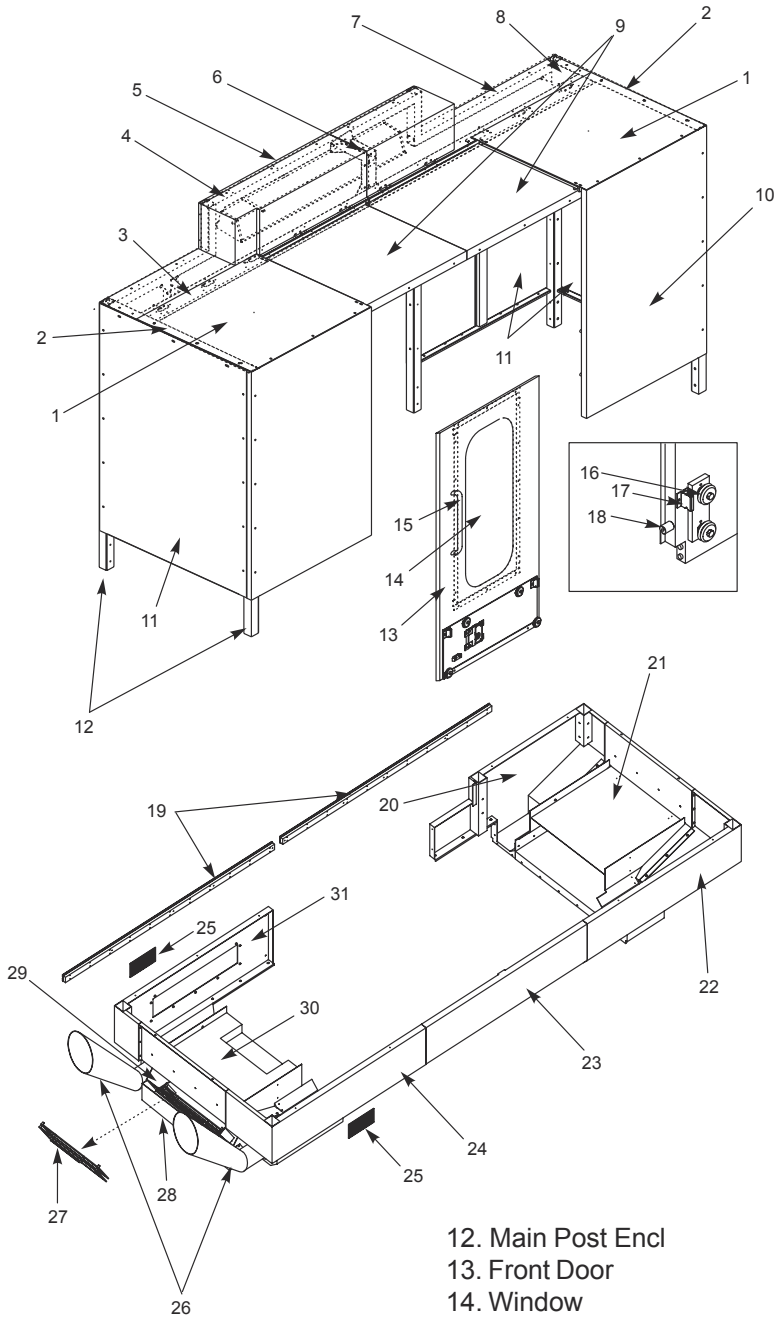




EC-1600 - Enclosure Panels



- 1. Panel Encl Top
- 2. Post Encl Top Cross
- 3. Track Encl Door Roll
- 4. Post Encl LT Top
- 5. Cover Encl Top LT
- 6. Cover Encl Top RT
- 7. Post Encl RT Top
- 8. Header Support
- 9. Panel Encl Top Door
- 10. Panel Encl Top
- 11. Panel Encl Side

- 12. Main Post Encl
- 13. Front Door
- 14. Window
- 15. Door Handle
- 16. Guide Wheel
- 17. Retainer
- 18. Stand-off Bumper
- 19. Track, Front Door
- 20. Saddle Back RT
- 21. Saddle End Cover
- 22. Saddle Front RT
- 23. Saddle Front Mid
- 24. Saddle Front LT
- 25. Silt Plate
- 26. Trough Drain

- 27. Discharge Chute
- 28. Screen, Chip Tray
- 29. Plenum Drain
- 30. Saddle End Cover LT
- 31. Saddle Back LT
- 32. Panel Encl
- 33. Panel Encl
- 34. Dip Pan T/C
- 35. Panel Encl L R
- 36. Panel Encl Top
- 37. Panel Encl R Upper
- 38. Panel Encl Rear Mid
- 39. Panel Cbl Encl
- 40. Panel Encl RT Rear
- 41. Panel Encl RT Side
- 42. Door, Operator
- 43. Panel Encl Left Side
- 44. Panel Encl LT Side F
- 45. Drip Pan T/C Bottom
- 46. Panel Encl R L
- 47. Panel Encl T/C Fillet
- 48. Panel T/C Back
- 49. Support, T/C D Pan
- 50. Retainer