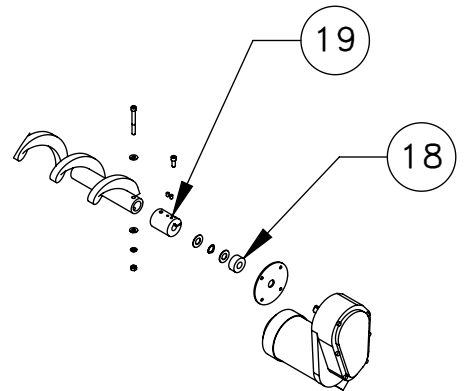
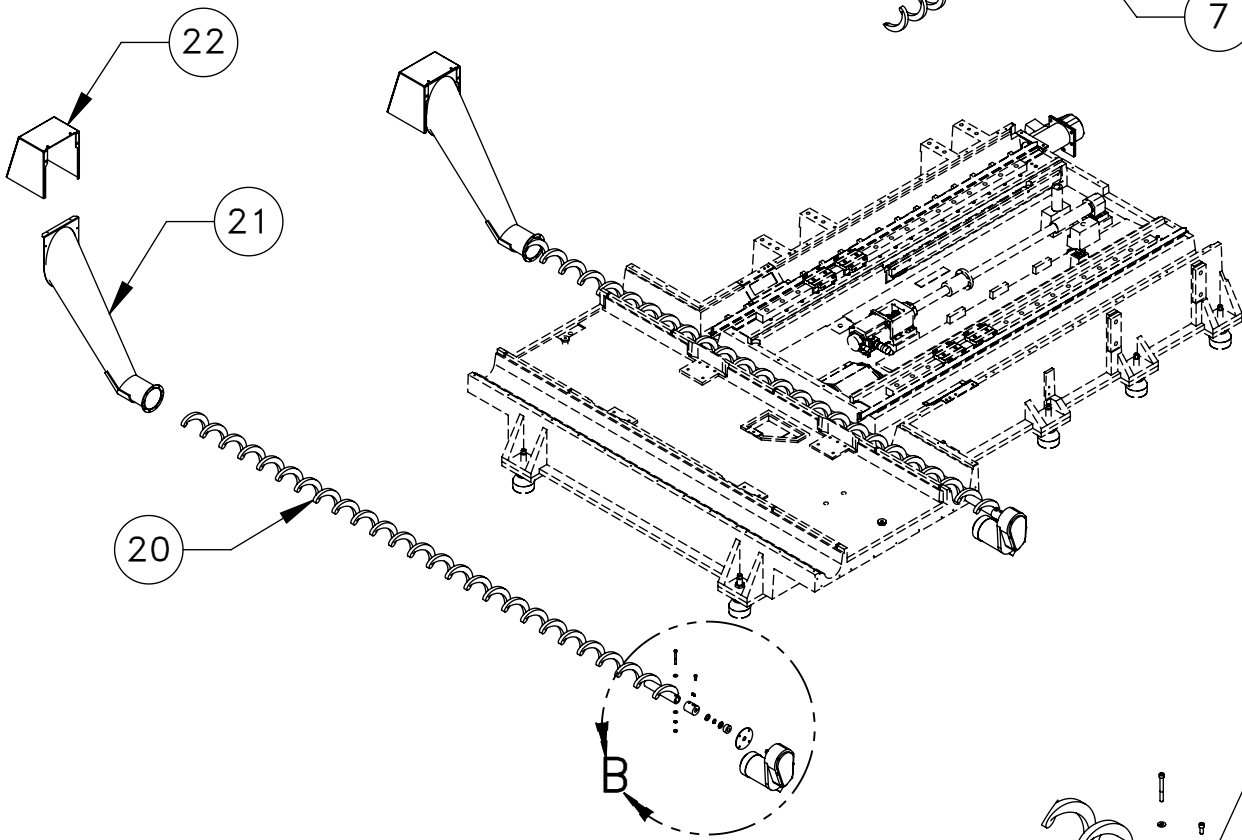
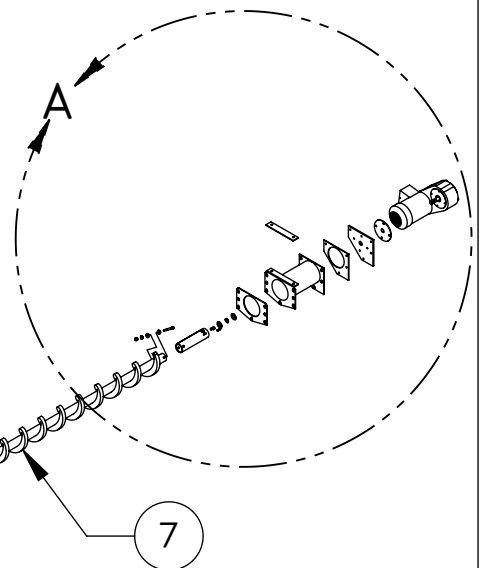


2X DETAIL A  
SCALE 1 : 18



2X DETAIL B  
SCALE 1 : 18

ITEM NO.	DESCRIPTION	QTY.
1	CC AUGER MTR MOUNT Z-AX EC-1600/YZT	2
2	AUGER MTR MNT PLATE EC-1600 Z-AX CC	2
3	COUPLING CONVEYOR MOTOR MINIMILL	2
4	GASKET MTR MOUNT Z-AX CC EC-1600	2
5	GASKET CONVEYOR MTR	4
6	GEARMTR 230V 50/60HZ 1PH 15RPM 960 INLB	4
7	AUGER 3.75 X 86	2
8	GASKET TUBE TO MTG PLT EC-1600ZT	2
9	GASKET TOP FLANGE OF 25-9551	2
10	WASHER 5/8 STEEL .048THK X 1 1/4	8
11	WASHER 5/8 WAVE BLK MCMASER 90134A	4
12	SSS 1/4-20 X 3/8 CUP PT WITH NYLOCK PEL	8
13	SHCS 5/16-18 X 3/4 DOMESTIC ONLY	4
14	SHCS 5/16-18 X 2 3/4	4
15	WASHER 1/4 FLAT USS PLT	8
16	WASHER 5/16 SPLT LOCK PLT	4
17	NUT 5/16-18 HEX	4
18	CHIP CONVEYOR SPACER	2
19	MOTOR COUPLING CONVEYOR	2
20	AUGER, CHIP EC-1600/HS-3 3.75 X 130.75	2
21	CHUTE DISCHARGE ALL CNC	2
22	CHIP CHUTE OUTLET COVER	2