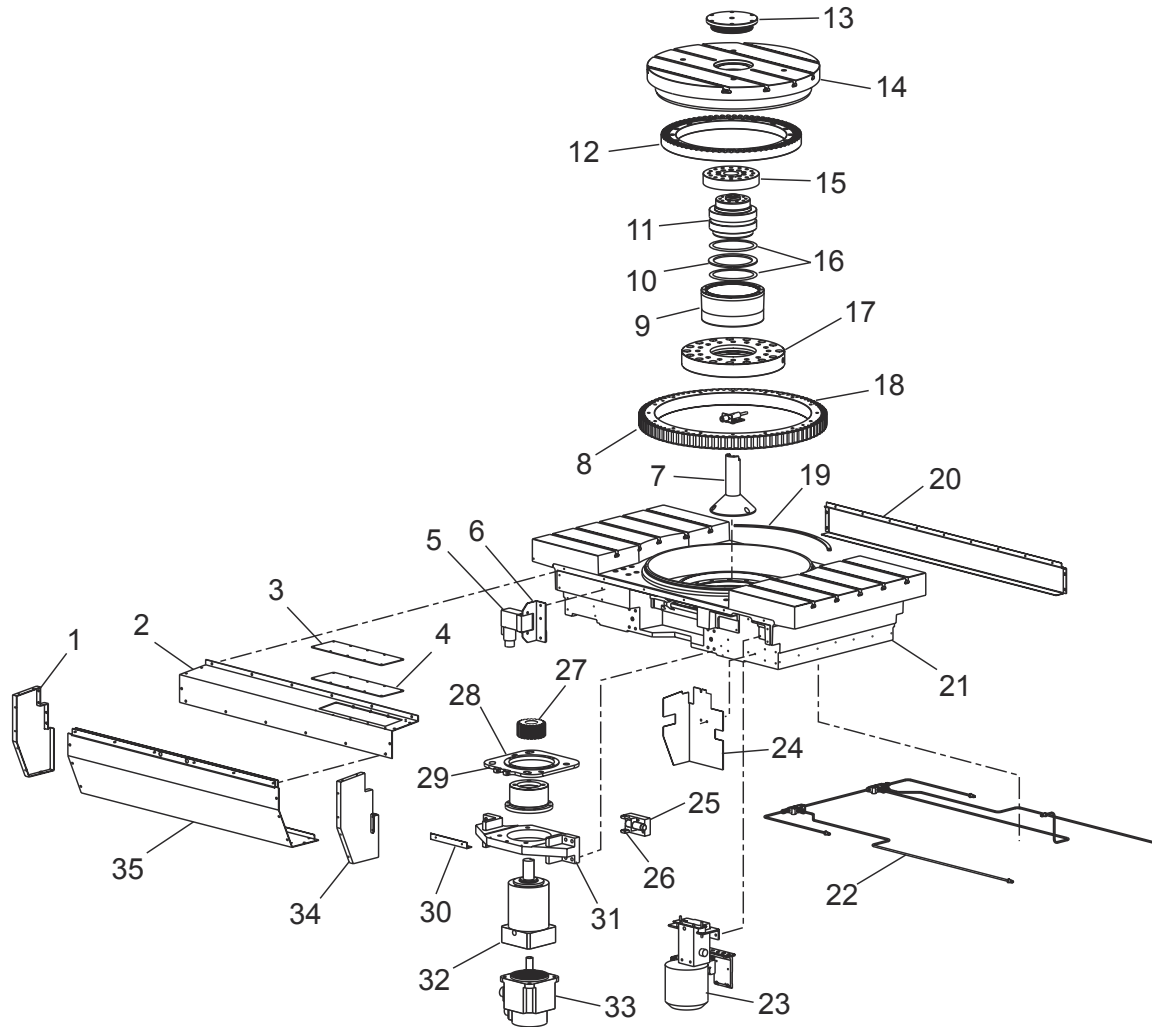




EC-1600 - 5 Degree Indexer Table



- | | |
|-------------------------------------|---------------------------|
| 1. Left Shroud | 18. Prox Sensor |
| 2. Top Shroud | 19. Retainer Platter Seal |
| 3. Pump Cover Access | 20. X-Axis Chip Guard |
| 4. Pump Cover Gasket | 21. Table |
| 5. Hydraulic Solenoid | 22. Saddle Oil Line |
| 6. Hydraulic Valve Bracket | 23. Haskel Pump |
| 7. Zero Ref. Sensor Mount | 24. Pump Sound Wall |
| 8. Ring Gear | 25. Prox Sensor |
| 9. Hydraulic Clamp Cylinder Housing | 26. Sensor Bracket |
| 10. 160mm Thrust Bearing | 27. Pinion 22T Indexer |
| 11. Hydraulic Clamp Piston | 28. Backlash Plate |
| 12. Face Gear | 29. Indexer Mount |
| 13. Table Cover Center | 30. Shroud Support |
| 14. Indexing Platter | 31. Platter Drive Mount |
| 15. Piston Adapter | 32. Alpha Ip 120 |
| 16. Thrust Washer 160200 (2) | 33. Servo Motor |
| 17. Hydraulic Clamp Cylinder Cap | 34. Right Shroud |
| | 35. Bottom Shroud |