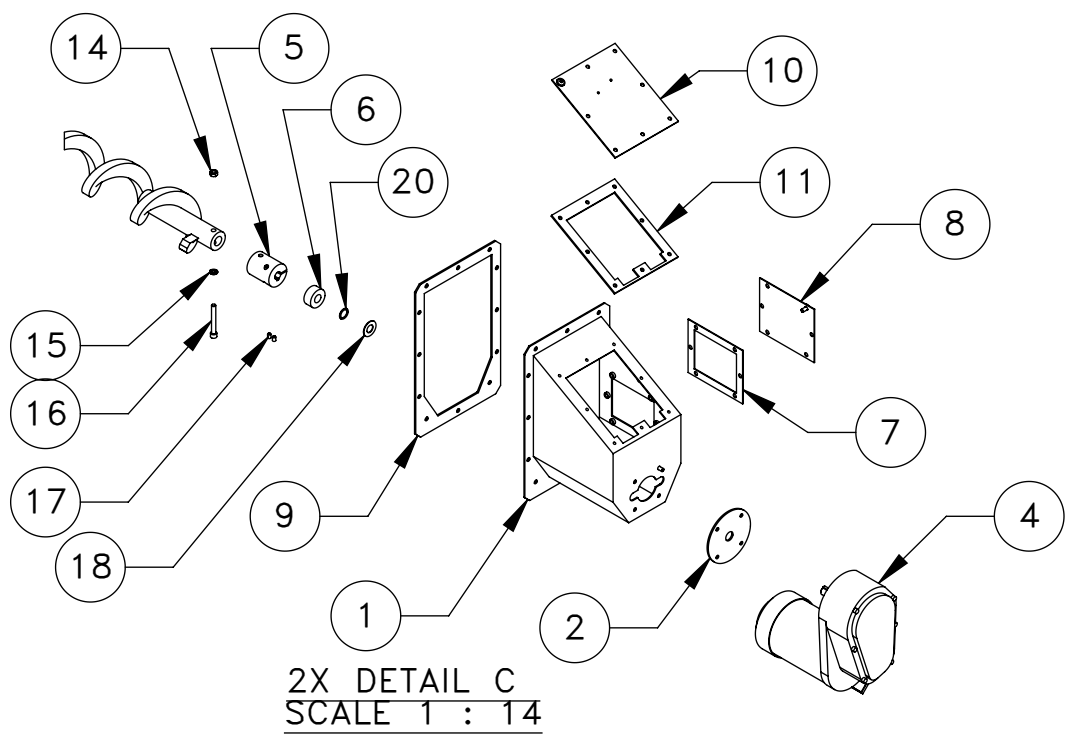


DETAIL A
SCALE 1 : 12

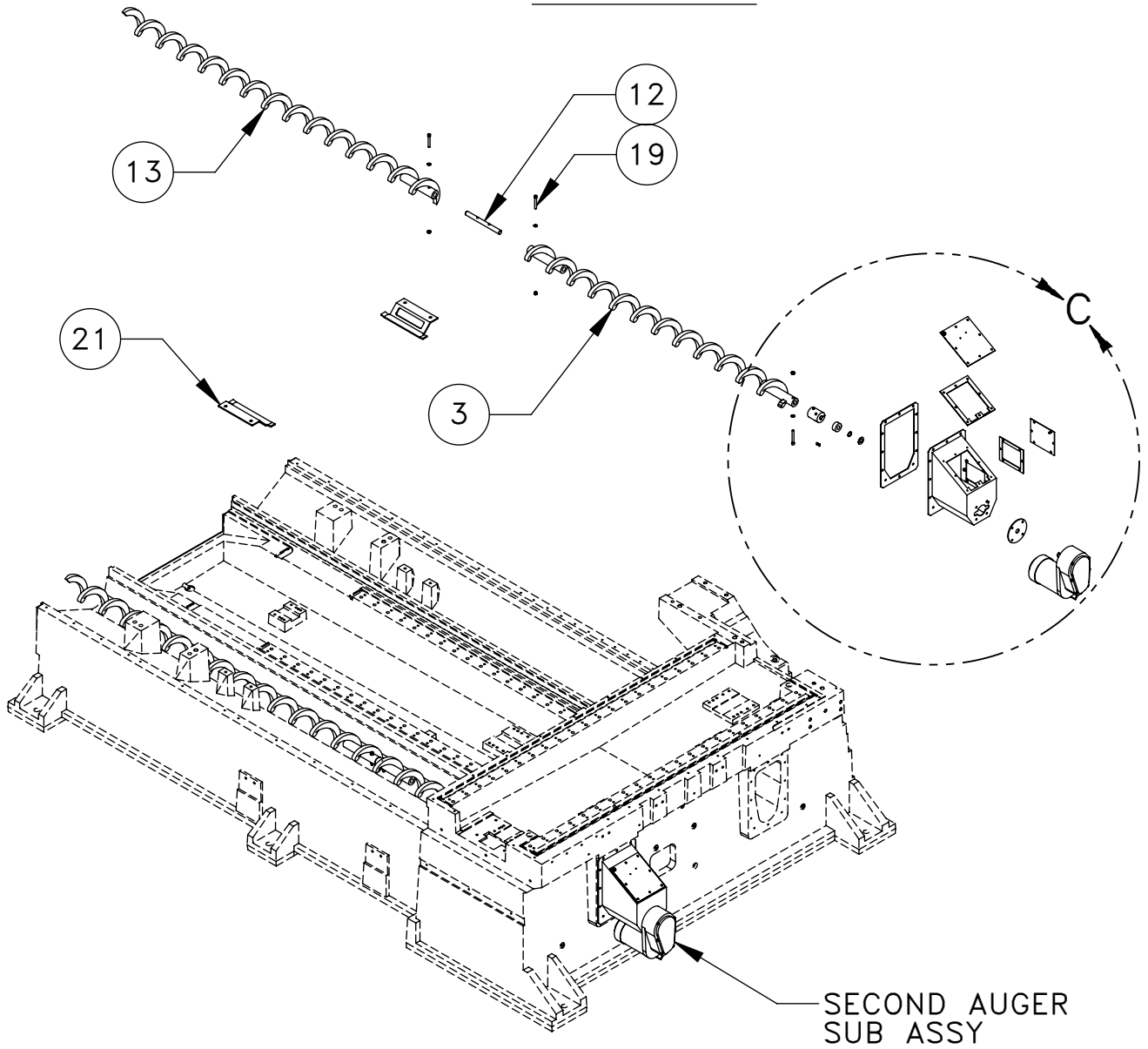
DETAIL B
SCALE 1 : 12

ITEM NO.	DESCRIPTION	QTY.
1	MACHINED BASE CASTING EC-500	1
2	COOLANT TROUGH	1
3	GASKET COOLANT TROUGH EXTEC400	1
4	COOLANT TROUGH EXT	1
5	FITG BKHD NPT-3/8 X 1.000 DIA	1
6	FITG COMP-5/8 X NPT-3/8-M STR	1
7	BRACE AUGER TROUGH EC400	2
8	GASKET EXTENSION BOX FRNTEC400	1
9	FRONT AUGER TROUGH	1
10	EXTENSION BOX AUGER MTR	1
11	GASKET EXTENSION BOX TOP EC400	1
12	EXTENSION BOX TOP EC400	1
13	GASKET CONVEYOR MTR	1
14	GEARMTR 230V 50/60HZ 1PH 15RPM 960 INLB	1
15	MOTOR COUPLING CONVEYOR	1
16	EXTENSION AUGER COUPLER EC400	1
17	CHIP CONVEYOR SPACER	1
18	AUGER 3.75 X 86	1
19	GASKET DISCHARGE VF-6	1
20	CHUTE DISCHARGE ALL CNC	1
21	CHIP BASKET	1
22	COOLANT CHANNEL	1
23	AUGER TROUGH SCREEN	1
24	CHIP CHUTE OUTLET COVER	1
25	SHCS 5/16-18 X 2 1/2	2
26	5/16 SPLIT WASHER	2
27	5/16-18 HEX NUT, STEEL, ZINC	2
28	SHCS 1/4-20 X 1	1
29	SSS 1/4-20 X 3/8 CUP PT WITH NYLOCK PEL	2
30	END CHUTE COVER	1
31	COOLANT TROUGH EXT COVER EC400	1
32	FITG NPT-3/8-F X NPT-3/8-M 90 BR	1
33	PUSH FITG 1/20D TUBE X NPT-3/8-M X STR	1
34	NIPPLE 3/8 NPT X 2 1/2 BRASS	1
35	3/8 NPTF FULL FLOW BALL VALVE	1
36	NOZZLE ASSY SCREEN WASH DOWN EC400	1
37	PIPE PLUG 3/8 BRASS HEX SOCKET	1
38	SEAL CHIP TROUGH REAR	1
39	FITG LBO-1/2 X NPT-1/4-M X STR	1
40	FITG NPT-1/4-F X NPT-1/4-F X STR BRASS	1
41	GASKET FRONT TROUGH EC500	1
42	FITG NPT-1/2-M COMP-1/2 X 90 B	1
43	ANTISTATIC TOTE BOX 26 3/4 X 19 1/4	1

DESCRIPTION	EFFECTIVE DATE
EC-500 AUGER ASSY	MAY-2005
	SAP DOC NO./VER: /



2X DETAIL C
SCALE 1 : 14



SECOND AUGER
SUB ASSY

ITEM NO.	DESCRIPTION	QTY.
1	MOUNT, SIDE AUGER	1
2	GASKET CONVEYOR MTR	1
3	AUGER MOTOR SECTION 3.75 X 62.0	1
4	CHIP AUGER MOTOR BODINE	1
5	MOTOR COUPLING CONVEYOR	1
6	CHIP CONVEYOR SPACER	1
7	GASKET MOUNT COVER EC400 CAST TOOLCHANGE	1
8	COVER AUGER MOUNT	1
9	GASKET, SIDE AUGER MOUNT	1
10	COVER AUGER MOUNT TOP	1
11	GASKET AUGER COVER TOP	1
12	CONNECTING PIN AUGER	1
13	AUGER SECTION END 3.75 X 73.00	1
14	5/16-18 HEX NUT, STEEL, ZINC	3
15	5/16 SPLIT WASHER	3
16	SHCS 5/16-18 X 2 1/2	1
17	SSS 1/4-20 X 3/8 CUP PT WITH NYLOCK PEL	2
18	WASHER 5/8 STEEL .048THK X 1 1/4	1
19	SHCS 5/16-18 X 2 1/4	2
20	WASHER 5/8 WAVE BLK	1
21	BRKT AUGER KEEPER EC-500	2

SHEET 2 OF 2

DESCRIPTION	EFFECTIVE DATE
EC-500 AUGER ASSY	MAY-2005
	SAP DOC NO./VER: /