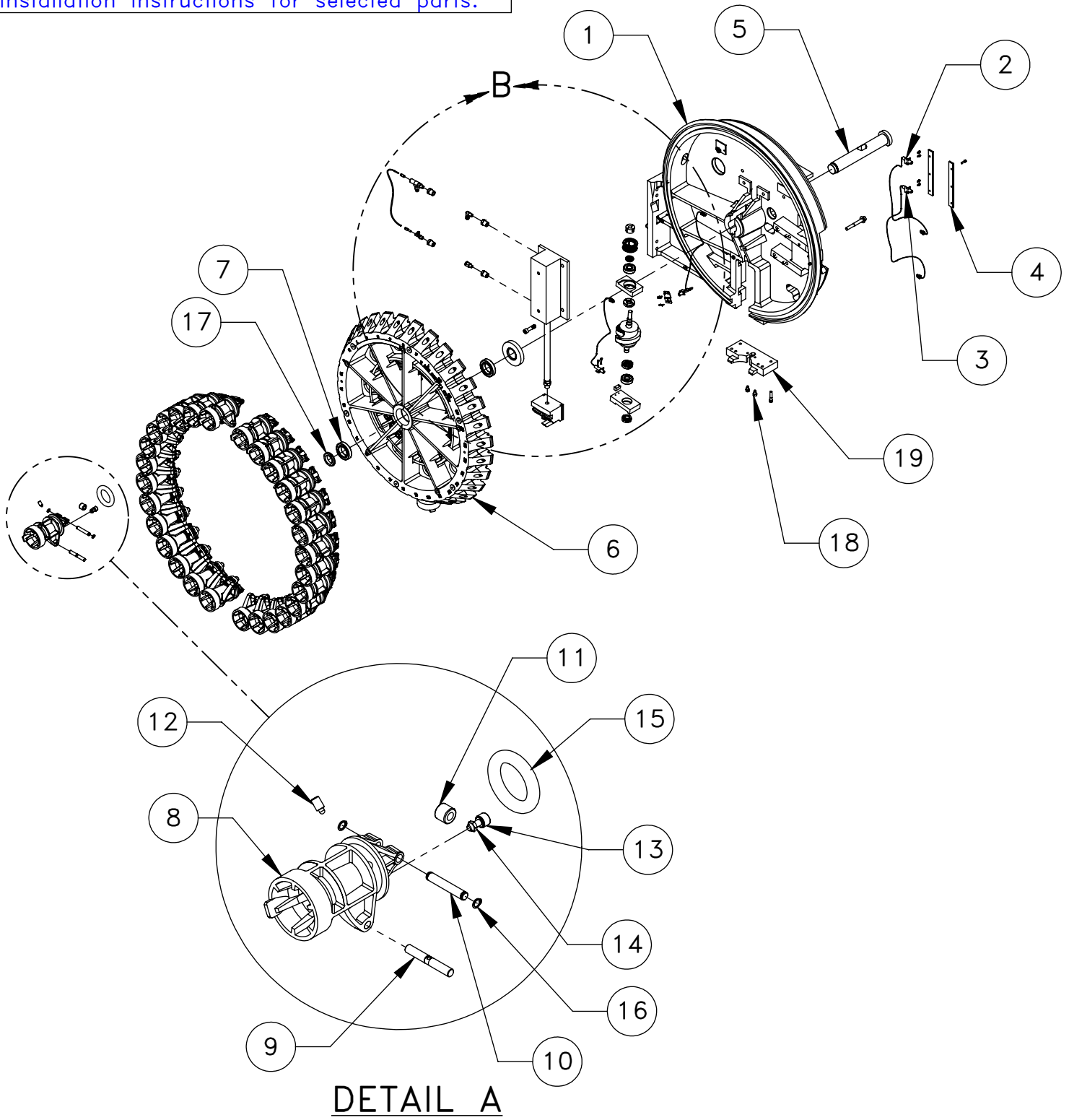


Go to [parts.haascnc.com](http://parts.haascnc.com) to get pricing and installation instructions for selected parts.



ITEM NO.	PART NUMBER	PART DESCRIPTION	QTY.
1	20-0621	ATC HOUSING (MACHINED), 50T	1
2	32-2252	PROX NO PKT UP	1
3	32-2251	PROX NO PKT DOWN	1
4	20-0391	RAIL SLIDE	2
5	20-0387	SHAFT CAROUSEL	1
6	20-0438A	CAROUSEL MACHINED 50T SMTC50	1
7	51-0020	BEARING DEEP GROOVE 6010ZZ	2
8	20-0490A	MACHINE TOOL PCKT 50T 67 DIE CAST MACHIN	1
9	20-0386	SHAFT POCKET SMTC50	1
10	20-0385	SHAFT ROLLER POCKET	1
11	20-0383	ROLLER POCKET SMTC50	1
12	20-0382A	PLUNGER, POCKET, SMTC50, THRU-HARD	4
13	51-0051	CAM FOLLOWER 3/4 HEX	1
14	46-1810	NUT 3/8-24 JAM	1
15	59-0114	SPRING CENTURY 5595	1
16	56-0020	RTNG RING .500 SH TRU-ARC 5100-50	2
17	51-2043	BEARING LOCKNUT BH-09 WHITTET-HIGGINS	1
18	46-1730	NUT 3/8-16 HEX	2
19	20-0393B	POCKET STOP SMTC50	1

Disclaimer: Not all parts are available for individual sale; Some are part of an assembly. Assembly configuration is subject to change without notice.

SHEET 1 OF 2

DESCRIPTION

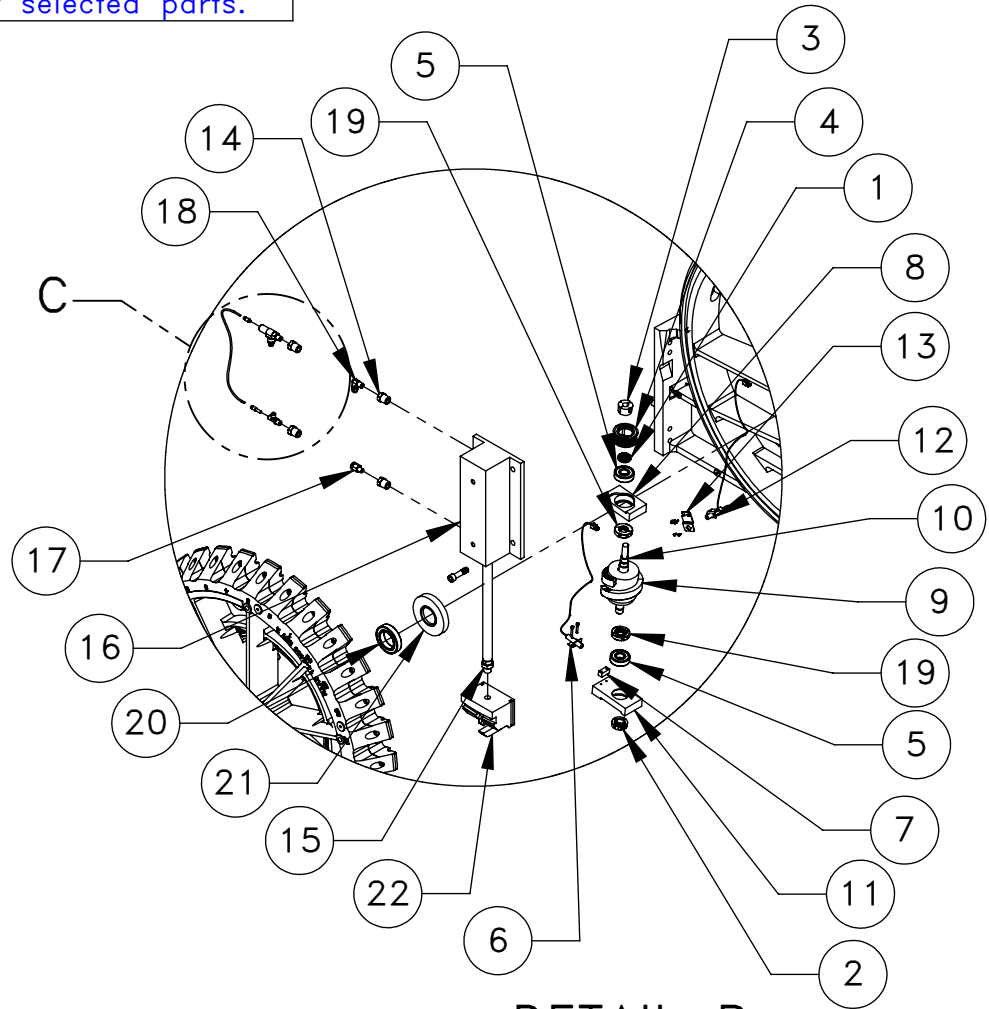
EFFECTIVE DATE

VMC 30 POCKET SMTC CAROUSEL 50 TAPER

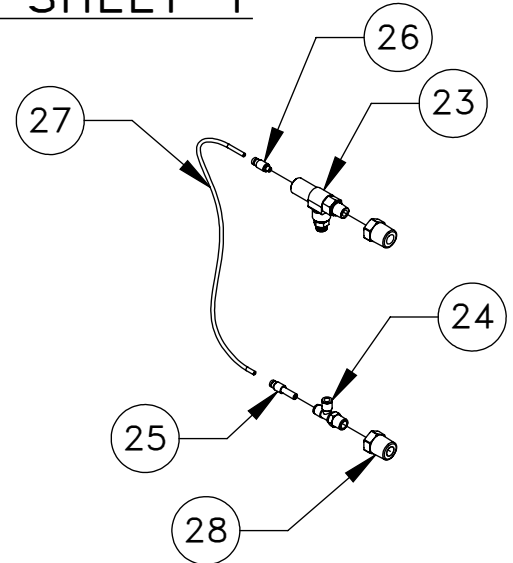
OCT-2015

SAP DOC NO./VER: 1000003716/02

Go to [parts.haascnc.com](http://parts.haascnc.com) to get pricing and installation instructions for selected parts.



**DETAIL B**  
**SEE SHEET 1**



**DETAIL C**  
**MACHINES MADE BEFORE**  
**MAY 2015**

ITEM NO.	PART NUMBER	PART DESCRIPTION	QTY.
1	51-2042	BEARING LOCKNUT BH-04	1
2	51-2012	BEARING LOCKNUT N-04-F	1
3	54-0215	BUSHING TL 1108X5/8 WITH INTEGRAL K	1
4	54-0044	SPKT HTD P22-8M-20-1108	1
5	51-2025	BEARING DP GROOVE 6304 20ID X 52OD X 15	2
6	32-2295	PROX NC CAROUSEL MARK	1
7	22-7263	BLOCK SWITCH MTG	1
8	20-7239	SUPPORT CAROCAM TOP	1
9	20-0439	CAROUSEL CAM SMT50	1
10	20-0231	SHAFT CAROUSEL CAM	1
11	20-0268	SUPPORT CAROCAM BOTTOM	1
12	32-2253	PROX NO TOOL ONE	1
13	25-2548	PROX SENSOR MNT BRKT 1/4	1
14	58-16751	FITG REDUCER NPT-1/2-M X NPT-1/4-F	2
15	46-1663	NUT 3/4-16 JAM	1
16	59-0116A	AIR CYL 3.25 X 6.125	1
17	58-0567	FITG LBO-3/8 X NPT-1/4M STR GREASE & OIL	1
18	58-0914	FITGPOLY-3/8X NPT1/4-M 90USE WITH POLYUR	1
19	51-0065	BEARING NUT RULAND TCN-05F	2
20	51-0020	BEARING DEEP GROOVE 6010ZZ	2
21	20-0392	CAROUSEL WASHER	1
22	20-0390A	POCKET SLIDE SMT50	1
23	58-7243	VALVE CHECK LBO-1/4 X NPT-1/4-M PILOT	1
24	58-7244	FITG LBO-1/4 X 1/4-NPT-M X 1/4-LBO	1
25	58-7245	FITG LBO-5/32 X LBO-1/4-M REDUC	1
26	58-3681	FITG LBO-5/32 UNF-10/32-M STR	1
27	58-2010	HOSE 5/32 OD NYLON CLEAR	1
28	58-16751	FITG REDUCER NPT-1/2-M X NPT-1/4-F	2

Disclaimer: Not all parts are available for individual sale; Some are part of an assembly.  
Assembly configuration is subject to change without notice.

**SHEET 2 OF 2**

DESCRIPTION

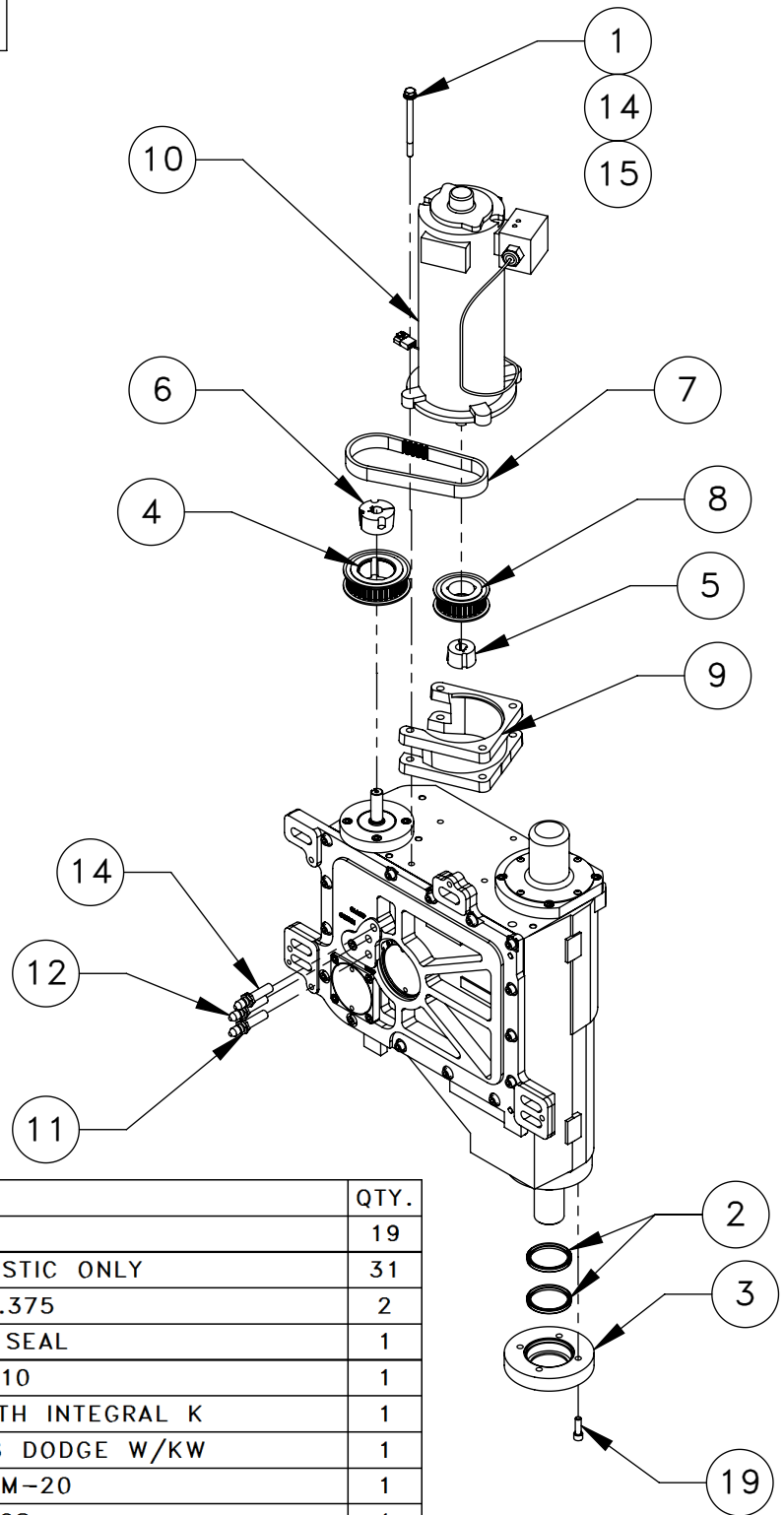
EFFECTIVE DATE

**VMC 30 POCKET SMTC CAROUSEL 50 TAPER**

**OCT-2015**

SAP DOC NO./VER: 1000003716/02

Go to [parts.haascnc.com](http://parts.haascnc.com) to get pricing and installation instructions for selected parts.



ITEM NO.	PART NUMBER	PART DESCRIPTION	QTY.
1	45-1739	WASHER 5/16 FLAT A325	19
2	40-1500	SHCS 5/16-18 X 1 DOMESTIC ONLY	31
3	57-0059	S SEAL 2.000 CR19737 2.375	2
4	20-0238C	BEARING CAP SMTC DUAL SEAL	1
5	54-0043	SPKT HTD P32-8M-20-1210	1
6	54-0215	BUSHING TL 1108X5/8 WITH INTEGRAL K	1
7	54-0017	S BUSHING TL 1210- 5/8 DODGE W/KW	1
8	54-0036	BELT, PGGT 8MX20 480-8M-20	1
9	54-0037	SPKT HTD P26-8M-20-1108	1
10	20-0772	MOTOR MOUNT MACHINED	1
11	32-1880B	SMTC/H4 DBL ARM MTR SERVICE USE 93-	1
12	32-0056	MOTOR STOP SENSOR SMTC	1
13	32-0055	SMTC NO PROX SW ORIGN 24	1
14	32-0057	CL/UNCL SENSOR SMTC	1
15	43-7011	HHB 5/16-18 X 4 GRADE 5 PLAIN	4
16	45-1600	WASHER 5/16 SPLT LOCK PLTMED	4

Disclaimer: Not all parts are available for individual sale; Some are part of an assembly. Assembly configuration is subject to change without notice.

**SHEET 1 OF 1**

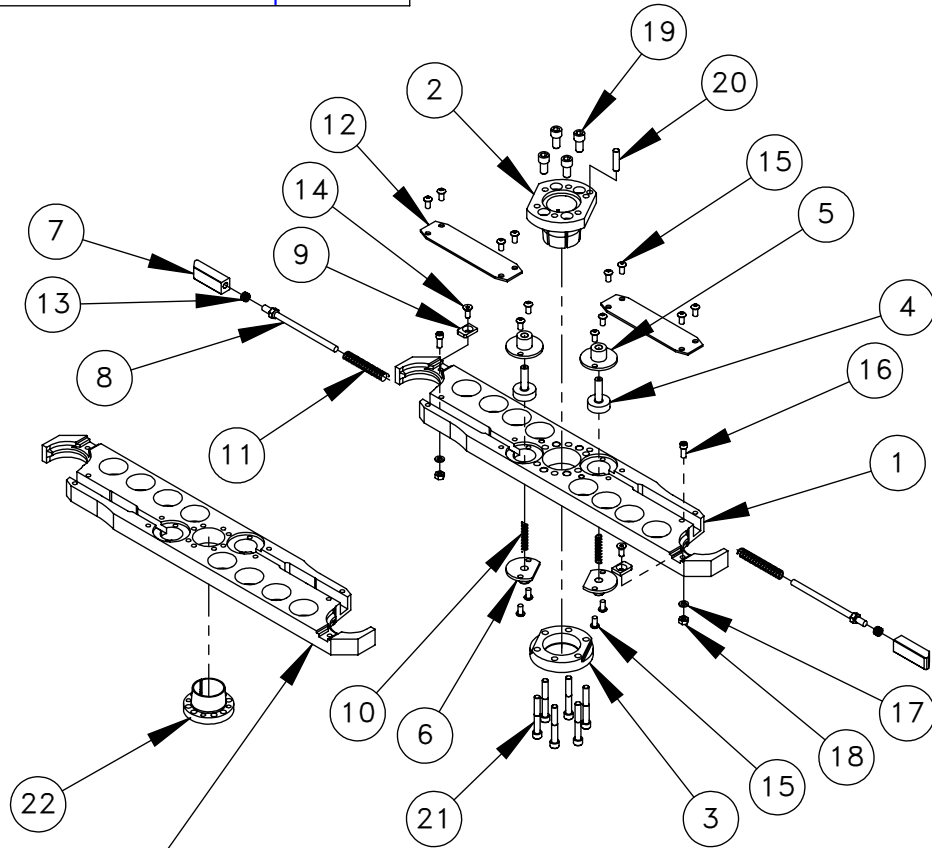
**EFFECTIVE DATE**

**MAY-2016**

SAP DOC NO./VER: 1000003712/02

**DESCRIPTION**  
**SMTC CAMBOX 50 TAPER**

Go to [parts.haascnc.com](http://parts.haascnc.com) to get pricing and installation instructions for selected parts.



THIS ARM DESIGN NO LONGER AVAILABLE  
SEE SHEET 2 FOR REPLACEMENT ARM ASSEMBLY

ITEM NO.	PART NUMBER	PART DESCRIPTION	QTY.
1	SEE SHEET 2	DBLARM BT40 10.438 INCH	1
2	20-4659A	HUB DOUBLE ARM SMTC	1
3	20-4660A	CLAMP DOUBLE ARM SMTC	1
4	20-0242A	PLUNGER ARM ATC	2
5	20-0245A	CAP PLUNGER ARM SMTC	2
6	20-0246A	CAP SPRING ARM ATC	2
7	SEE SHEET 2	SLIDE ARM BT-40	2
8	SEE SHEET 2	ADJUSTER ARM VF2-SS	2
9	SEE SHEET 2	KEY ARM ATC	2
10	59-0077	SPRING C0360-047-1750-M	2
11	SEE SHEET 2	SPRING C0480-059-3000-M	2
12	SEE SHEET 2	COVER ARM SMTC 100/BOX	2
13	45-0075	WASHER 5/16 STEEL .010THK X .4380	12
14	40-1920A	FHCS 1/4-20 X 5/8 NYLON PATCH	2
15	40-1980	BHCS 1/4-20 X 1/2 ZINC PLATED	16
16	40-2000	SHCS 1/4-20 X 5/8 ZINC PLATED	2
17	45-1800	WASHER 1/4 SPLT LOCK PLT MED	2
18	46-1625	NUT 1/4-20 HEX BLK	2
19	40-2030	SHCS 3/8-16 X 3/4 ZINC PLATED	4
20	48-1661	DOWEL PIN 5/16 X 1 1/4	1
21	40-1675A	SHCS 5/16-18 X 2 1/4 DOMESTIC ONLY	6
22	20-0240	HUB ARM	1

Disclaimer: Not all parts are available for individual sale; Some are part of an assembly.  
Assembly configuration is subject to change without notice.

**SHEET 1 OF 2**

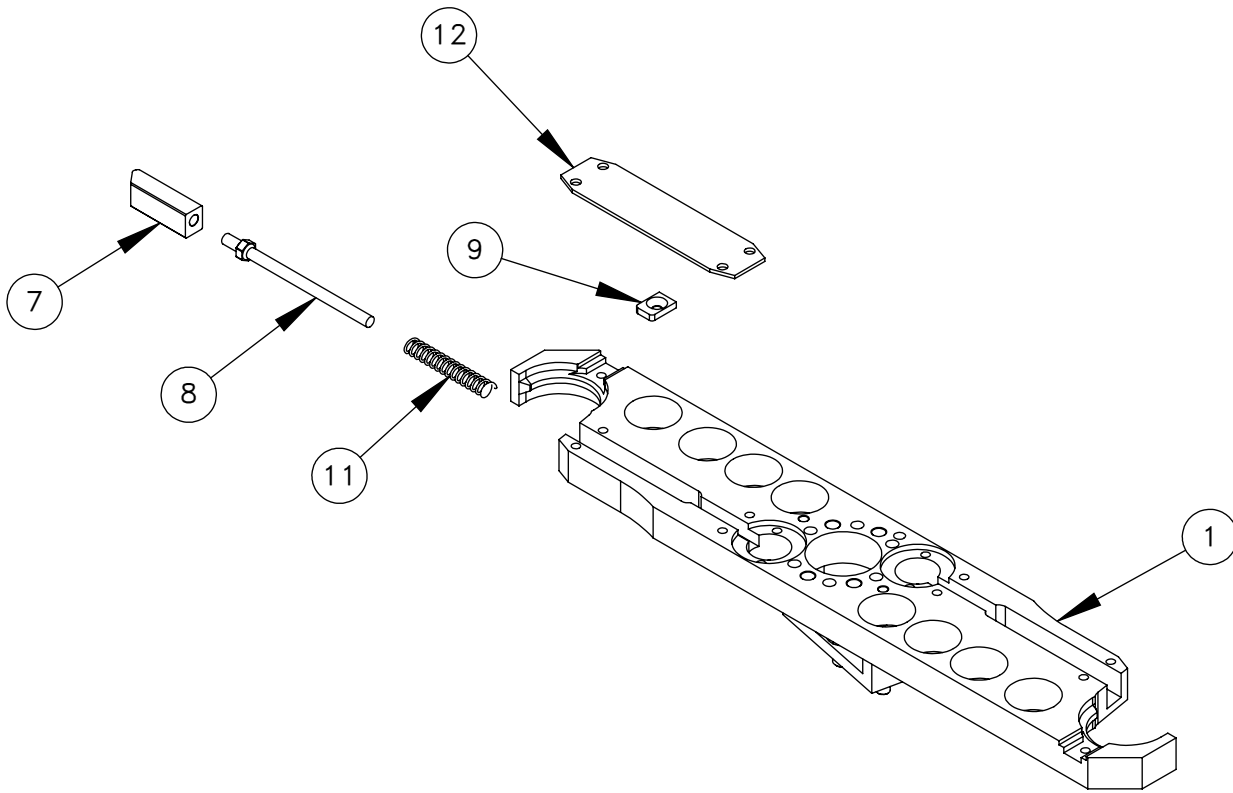
DESCRIPTION

EFFECTIVE DATE

**SMTC ARM ASSEMBLY-30/40/50-TAPER**

SAP DOC NO./VER: 1000003710/03

Go to [parts.haascnc.com](http://parts.haascnc.com) to get pricing and installation instructions for selected parts.



ARM ASSEMBLY	ITEM 1	ITEM 7	ITEM 8	ITEM 9	ITEM 11	ITEM 12	TAPER	POCKETS	WHERE-USED
93-30-3352A	20-0318B	20-1366A	20-0244	20-1365	59-0573	25-0153A	30 TAPER BT	24	VF-1/2/3/4/5
93-0786	20-0318B	20-0320A	20-1681	20-0241	59-0076	25-0153A	40 TAPER BT	24	VF-1/2/3/4/5, SMINIMILL
93-0945	20-0239B	20-0243A	20-1681	20-0241	59-0076	25-0153A	40 TAPER CT	24	VF-1/2/3/4/5, SMINIMILL
93-0487A	20-0319A	20-0320A	20-2294	20-0983A	59-0076	25-6570	40 TAPER BT	40	VF-3/4
93-0394A	20-6751A	20-0243A	20-2294	20-0983A	59-0076	25-6570	40 TAPER CT	40	VF-3/4
93-0487A	20-0319A	20-0320A	20-2294	20-0241	59-0076	25-6570	40 TAPER BT	24	VF-6/7/8/9/10/11/12
93-0394A	20-6751A	20-0243A	20-2294	20-0241	59-0076	25-6570	40 TAPER CT	24	VF-6/7/8/9/10/11/12
93-0488A	20-0992A	20-0320A	20-2419	20-0241	59-0076	25-0820A	40 TAPER BT	40	VF-2YT/3YT/5/6/7/8/9/10/11/12, UMC
93-0393A	20-0810A	20-0243A	20-2419	20-0241	59-0076	25-0820A	40 TAPER CT	40	VF-2YT/3YT/5/6/7/8/9/10/11/12, UMC
93-1127	20-0389B	20-0479	20-6754	20-0384	59-0115	25-6570	40 TAPER BT	30	VF-3YT/5/6/7/8/9/10/11/12, VS-3
93-1154	20-0388B	20-0243A	20-6754	20-0384	59-0115	25-6570	40 TAPER CT	30	VF-3YT/5/6/7/8/9/10/11/12, VS-3
93-30-4448	20-4648	20-4648	20-4661	20-0241	59-0573	25-1838	30 TAPER BT	8	DT-1/2
30-11623	20-6196	20-6368	20-4661	20-0241	59-0076	25-10869	40 TAPER BT	8	DM-1/2
30-11622	20-6195	20-6229	20-4661	20-0241	59-0076	25-10869	40 TAPER CT	8	DM-1/2
93-1405	20-0318B	20-0320A	20-1681	20-2736	59-0076	25-0153A	40 TAPER BT	24	MDC500
93-30-7337	20-0239B	20-0243A	20-1681	20-2736	59-0076	25-0153A	40 TAPER CT	24	MDC500
93-1197	20-2692A	20-0320A	20-2693	20-0241	59-0076	25-5805	40 TAPER BT	24/40	EC-300
93-0614	20-2691A	20-0243A	20-2693	20-0241	59-0076	25-5805	40 TAPER CT	24/40	EC-300
93-0947	20-2397A	20-0320A	20-2419	20-0241	59-0076	25-0820A	40 TAPER BT	24/40/72	EC400/500
93-0948	20-2121A	20-0243A	20-2419	20-0241	59-0076	25-0820A	40 TAPER CT	24/40/72	EC400/500
30-11625	20-0389B	20-0479	20-6754	20-0384	59-0885	25-6570	50 TAPER BT	30/50	EC-1600 NEW
30-11624	20-0388B	20-0243A	20-6754	20-0384	59-0885	25-6570	50 TAPER CT	30/50	EC-1600 NEW
93-1152	20-2968A	20-0479	20-2363	20-0384	59-0885	25-9112	50 TAPER BT	30/50	EC-1600 OLD
93-1153	20-2362A	20-0243A	20-2363	20-0384	59-0885	25-9112	50 TAPER CT	30/50	EC-1600 OLD

Disclaimer: Not all parts are available for individual sale; Some are part of an assembly. Assembly configuration is subject to change without notice.

**SHEET 2 OF 2**

DESCRIPTION

EFFECTIVE DATE

**SMTC ARM ASSEMBLY-30/40/50-TAPER**