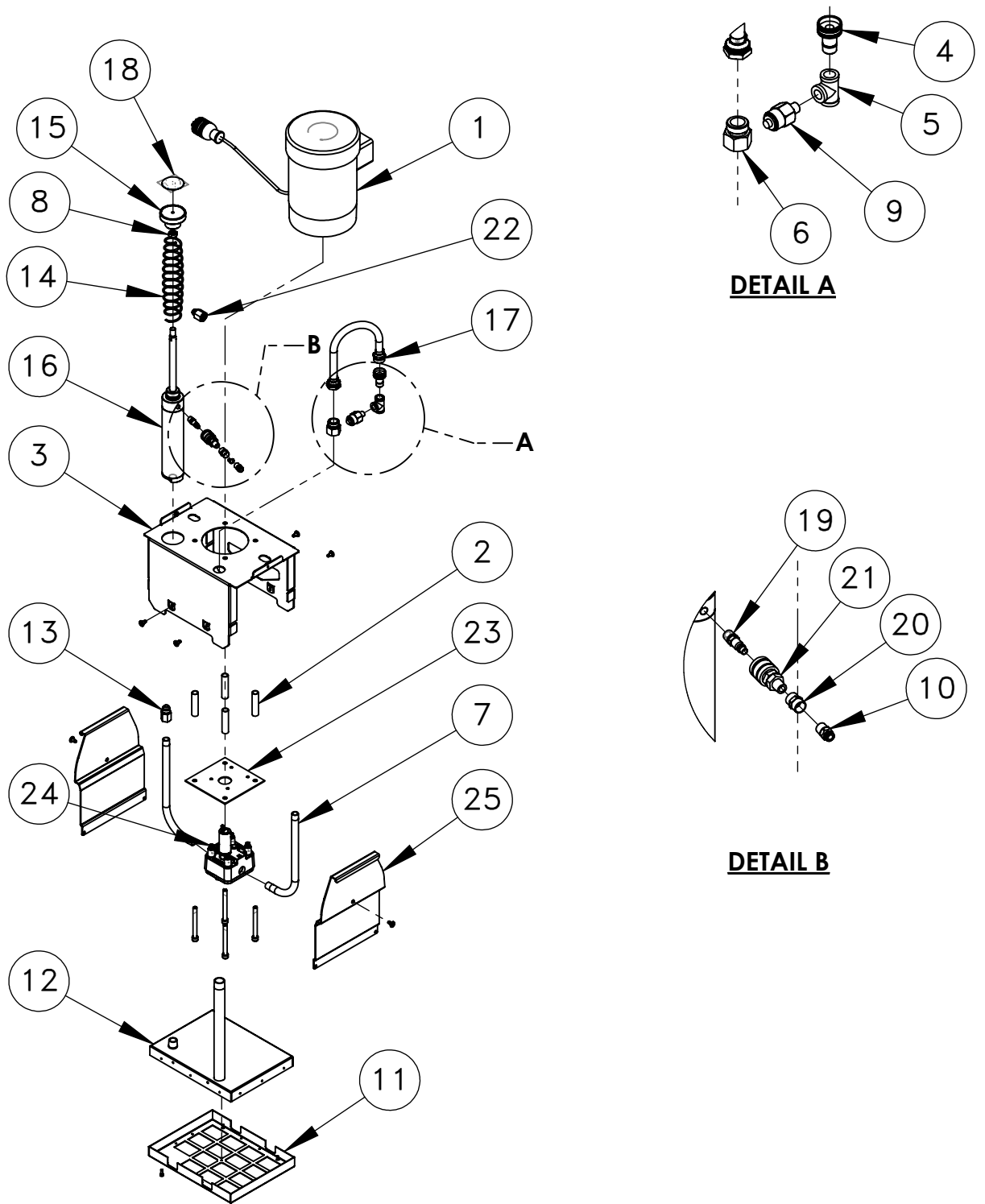


Go to parts.haascnc.com to get pricing and installation instructions for selected parts.



ITEM NO.	PART NUMBER	PART DESCRIPTION	QTY.
1	32-10020B	MOTOR ASSY HAAS TSC	1
2	20-6335	PUMP STAND-OFF TSC300	4
3	25-12077	TSC PUMP STAND	1
4	58-3663	FITG GARDEN-3/4-F X NPT-3/8-M ANDER	1
5	58-3084	FITG NPT-3/8-F X NPT-3/8-F X NPT	1
6	58-1598	FITG 3/4 NPTF X 3/4 GARDEN	1
7	58-1776	TUBE, OUTPUT, TSC300 3/8MNPT X 3/8MNPT	2
8	46-1805	NUT 1/2-20 JAM	1
9	53-0018	VACUUM SWITCH W/ M12	1
10	58-1349	FITG LBO-1/4-M X 1/4NPT-M STR AIR/GREASE	1
11	25-10922	INTAKE FILTER ASSY TSC300	1
12	25-10976	STANDPIPE TRAY TSC300 SELF-CLEAN	1
13	58-1784	FITG JIC-8-M X NPT-3/8-F STEEL	1
14	59-1453	SPRING, COMP, RETURN TSC300 SLF-CLN	1
15	20-6354	KNOB, MANUAL OPERATE TSC300	1
16	59-1452	CYLINDER, AIR, TSC300 SELF-CLEAN	1
17	58-1808	TSC INTAKE TUBE ASSEMBLY	1
18	29-0977	DECAL TSC300 AUTOCLEAN PUSH TO CLEAN	1
19	58-3710	FITG QUIK CONN-1/4-M X NPT-1/4-M STR	1
20	58-2065	FITG NPT-1/4-F X NPT-1/4-F X STR BRASS	1
21	58-1690	FITG QUIK CONN-1/4-F X NPT-1/4-F FOSTE	1
22	58-1862	FITG JIC6M X 3/8NPTF STRAIGHT BRASS	1
23	25-12141	TSC PUMP MOUNT	1
24	30-11974	TSC/HPC PUMP SUB ASSY 300 PSI	1
25	25-12076	HANDLE FOR CLNT PUMP STANDS	2

Disclaimer: Not all parts are available for individual sale; some are part of an assembly. Assembly configuration is subject to change without notice.

SHEET 1 OF 1

EFFECTIVE DATE

CLNT PUMP 300 PSI 3 PH W/SELF CLN

JAN-2015

SAP DOC NO./VER: 1000074181/01