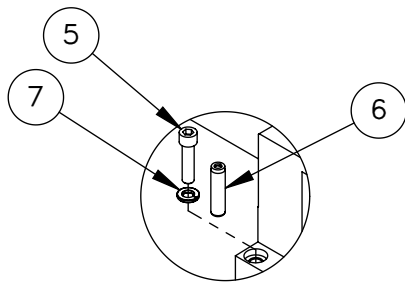
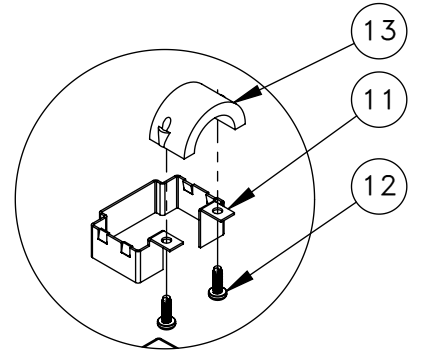


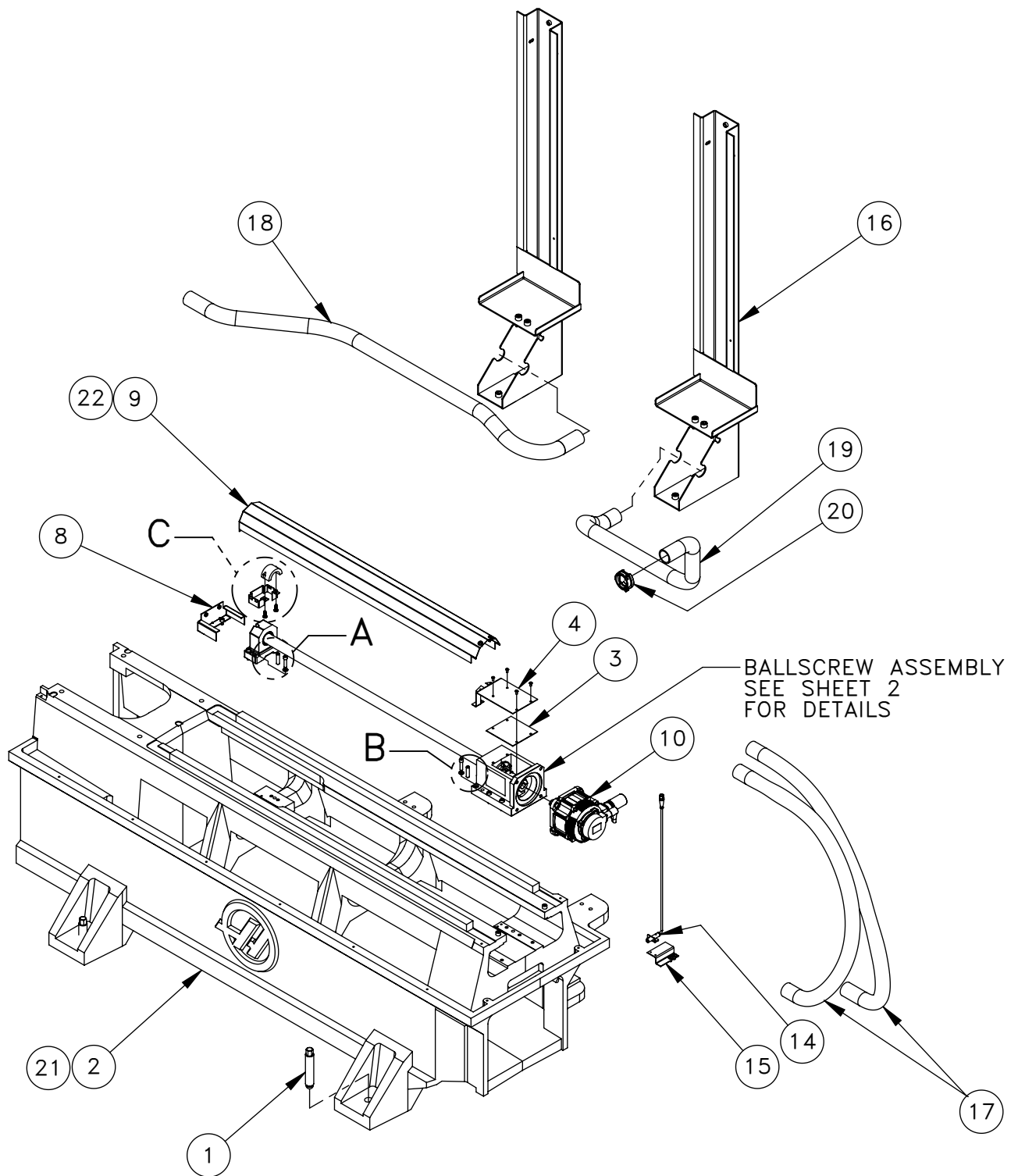
DETAIL A
SCALE 1 : 5



DETAIL B
SCALE 1 : 5



DETAIL C
SCALE 1 : 5



| ITEM NO. | DESCRIPTION | QTY. |
|----------|---|------|
| 1 | SSS 1-14 X 5 ROUND PT | 4 |
| 2 | BASE MACHINED TL-1 | 1 |
| 3 | SLDPRT GASKET DEFLECTOR SHIELD | 1 |
| 4 | DS WAYCOVER REAR MOUNT | 1 |
| 5 | SHCS 5/16-18 X 1 1/4 DOMESTIC ONLY | 10 |
| 6 | DOWEL PIN 3/8 X 1 1/2 PULL | 4 |
| 7 | WASHER 5/16 SPLT LOCK PLT | 14 |
| 8 | DS WCVR FRONT SUPT | 1 |
| 9 | COVER Z BALLSCREW TL-1 | 1 |
| 10 | SRVOMTR YASK SIGMA-5 09 W/O BRAKE | 1 |
| 11 | BRACKET BUMPER | 1 |
| 12 | FHHB 1/4-20 X 3/4 TYPE T23 THREAD | 2 |
| 13 | BUMPER X-AXIS VF-2 SL-30/40 WEDGE | 1 |
| 14 | PROX SW NC 3 WIRE 1.5' W/CONN | 1 |
| 15 | PROX MOUNT OS 1.75 X .95 | 1 |
| 16 | CNC CONTROL SUPPORT | 2 |
| 17 | DOUBLE SLIT CORR TUBING 1-1/2 BLK 44.0" | 1 |
| 18 | DOUBLE SLIT CORR TUBING 1-1/2 BLK 58.0" | 1 |
| 19 | DOUBLE SLIT CORR TUBING 1-1/2 BLK 44.0" | 1 |
| 20 | SPLIT CONDUIT PANEL CONNECTOR P36 | 1 |
| 21 | BASE MACHINED TL-2 | 1 |
| 22 | COVER Z BALLSCREW TL-2 | 1 |

SHEET 1 OF 2

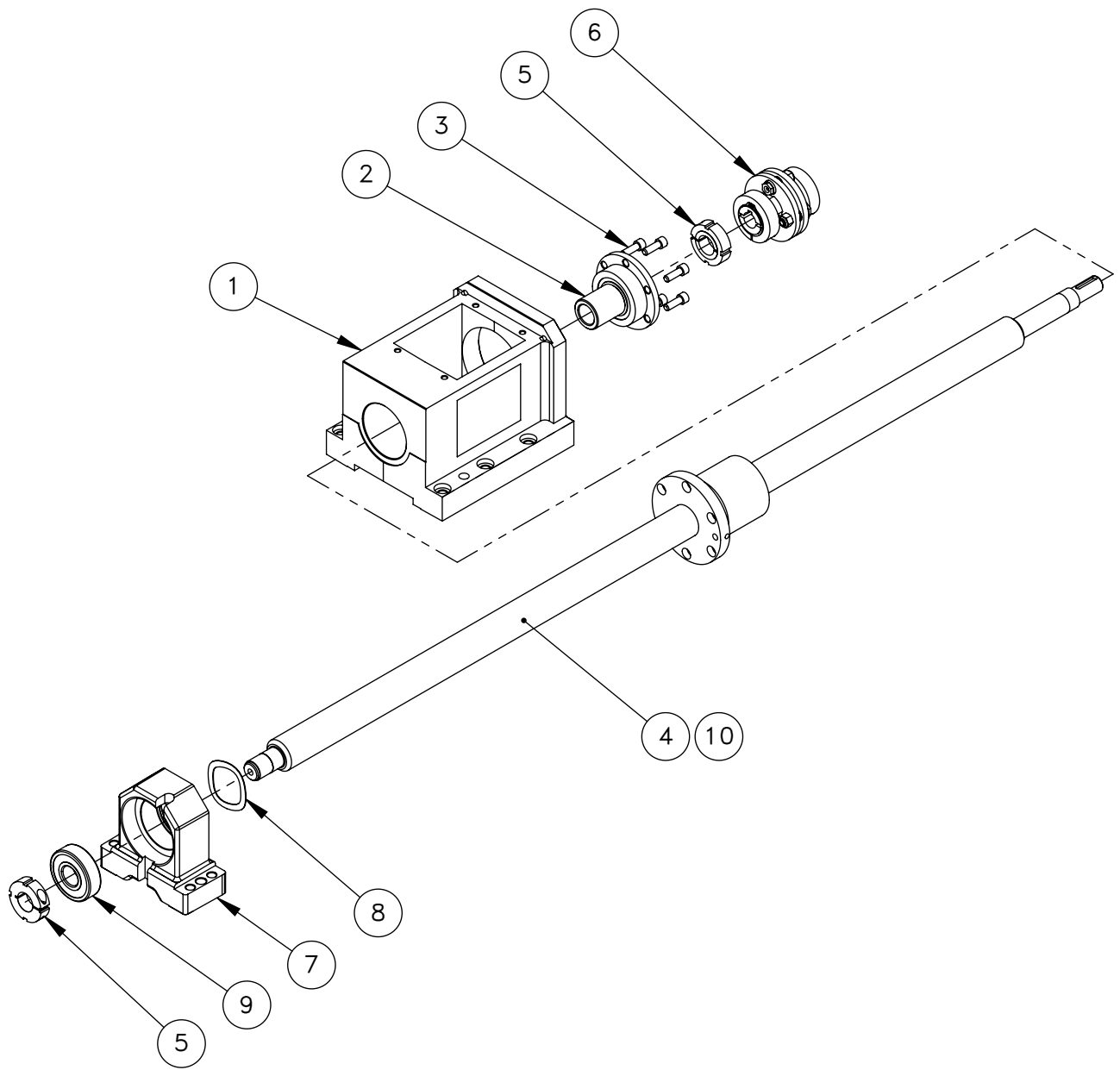
DESCRIPTION

TL-1/TL-2 CASTING/BALLSCREW ASSEMBLY

EFFECTIVE DATE

MAY-2014

SAP DOC NO./VER: 1000026743/01



TL-1 & TL-2 BALLSCREW ASSEMBLY

| ITEM NO. | DESCRIPTION | QTY. |
|----------|--|------|
| 1 | MACHINING MOTOR MOUNT, 32 MM BALL SCREW | 1 |
| 2 | THRUST BEARING CARTRIDGE 32MM BSCREW | 1 |
| 3 | SHCS 1/4-20 X 3/4 W/PATCHZINC PLATED | 6 |
| 4 | BSCREW 32-10-1103-0.625 TL-1 | 1 |
| 5 | BEARING LOCKNUT TCN-04-F RULAND MFG ONLY | 2 |
| 6 | COUPLING ASSY BL | 1 |
| 7 | IDLER BEARING HOUSING 32MM BSCREW | 1 |
| 8 | WAVE SPRING WASHER, 32MM BSCREW | 1 |
| 9 | BEARING DP GROOVE 6304 20ID X 52OD X 15 | 1 |
| 10 | BSCREW 32-10-1534.6 RH Z AXIS TL-2 | 1 |

SHEET 2 OF 2

DESCRIPTION

EFFECTIVE DATE

TL-1/TL-2 CASTING/BALLSCREW ASSEMBLY

MAY-2014

SAP DOC NO./VER: 1000026743/01