

FRONT VIEW

| ITEM NO. | DESCRIPTION | QTY. |
|----------|---|------|
| 1 | SPINDLE HOUSING MACHINED | 1 |
| 2 | CLAMP RING A2-5 | 1 |
| 3 | SPINDLE CARTRIDGE | 1 |
| 4 | A2-5 Drive Dog | 1 |
| 5 | SHCS 3/8-16 X 1 1/4 | 8 |
| 6 | SHCS 1/4-20 X 5/8 ZINC PLATED | 1 |
| 7 | O-RING 2-265 BUNA | 1 |
| 8 | SPINDLE MOTOR 5HP | 1 |
| 9 | MOTOR MOUNT PLATE TL-1-2 | 1 |
| 10 | FAN BRACKET 10HP SHROUD 100/BOX | 1 |
| 11 | FAN SHROUD TL-1/2 25/BOX | 1 |
| 12 | SHCS 1/2-13 X 1 1/2 DOMESTIC ONLY | 4 |
| 13 | BHCS 8-32 X 3/8 | 4 |
| 14 | FBHCS 1/4-20 X 1/2 SLF-TP W/LOCTITE PATCH | 8 |
| 15 | SHCS 10-32 X 1 1/4 | 2 |
| 16 | NUT 8-32 HEX | 4 |
| 17 | TERM BLK 6 POLE 90A #4 - #14 DEAD F | 1 |
| 18 | FAN ASSY SP HI-AIR-FLOW 27" CBL | 1 |
| 19 | BALANCING HUB DRIVE MOTOR 2 | 1 |
| 20 | 57-0003 | 4 |
| 21 | PPHS 10-32 X 3/8 | 1 |
| 22 | WYE JUMPER SPNDL MTR CONNKANBAN -10HP SP | 1 |
| 23 | CABLE CLAMP 7/8 RICHCO SPN-14 | 1 |
| 24 | DRV BELT 1440-8MGT-20 POWER GRIP GT-2 | 1 |
| 25 | SHCS 5/8-11 X 2 1/2 | 3 |
| 26 | WASHER 5/8 HARD .22 THK X 1 5/1 | 3 |

Disclaimer: Not all parts are available for individual sale; Some are part of an assembly. Assembly configuration is subject to change without notice.

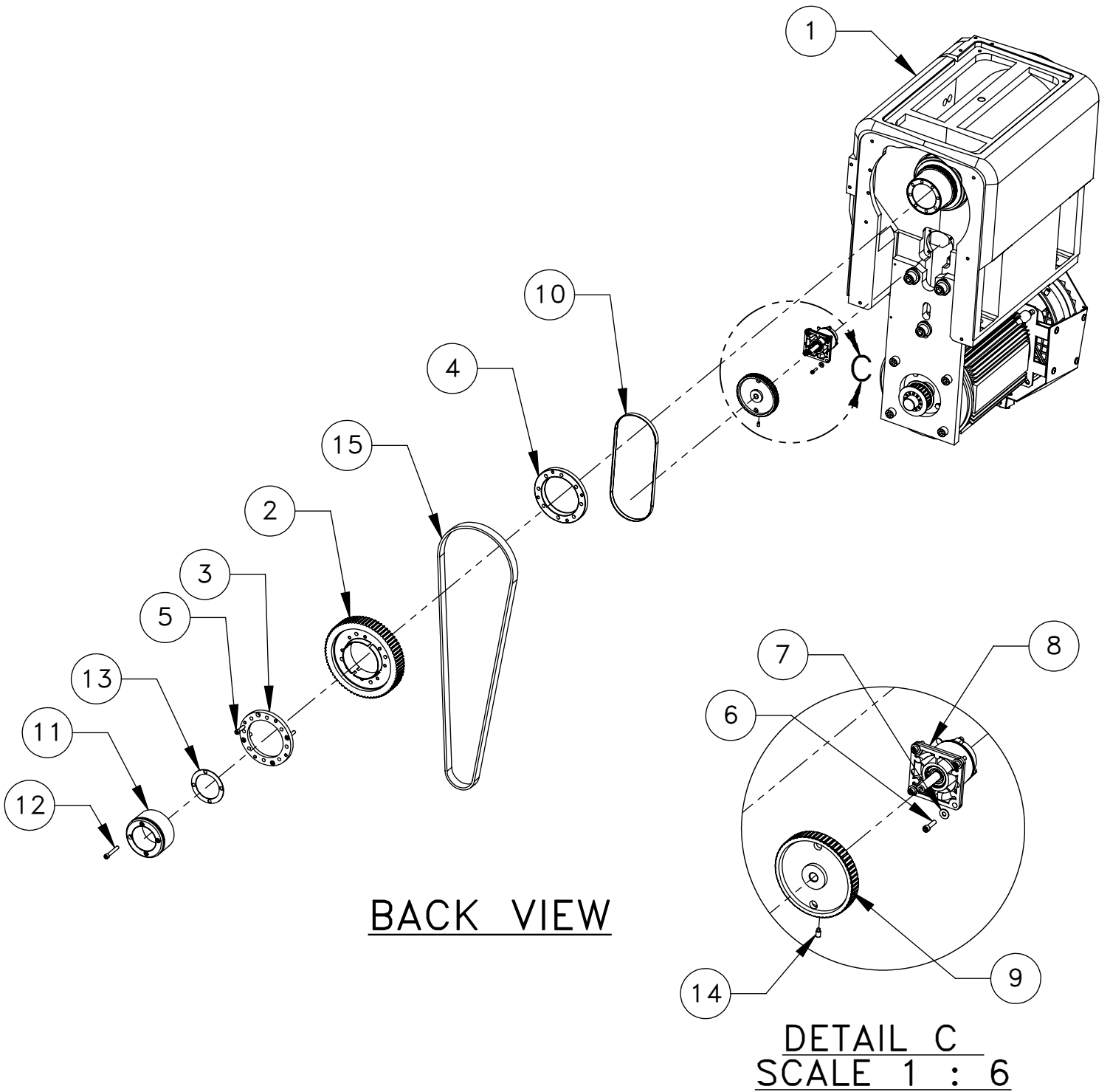
SHEET 1 OF 2

DESCRIPTION

EFFECTIVE DATE

TL-1 SPINDLE HEAD ASSEMBLY

NOV-2016



BACK VIEW

DETAIL C
SCALE 1 : 6

| ITEM NO. | DESCRIPTION | QTY. |
|----------|---|------|
| 1 | SPINDLE HOUSING MACHINED | 1 |
| 2 | SPKT PCGT 8M-72-20 | 1 |
| 3 | LOCK RING FRONT TL-1 | 1 |
| 4 | LOCK RING BACK TL-1 | 1 |
| 5 | SHCS 1/4-20 X 1 DOMESTIC ONLY | 4 |
| 6 | SHCS 8-32 X 5/8 | 4 |
| 7 | WASHER, #8 FLAT, SAE PLT | 4 |
| 8 | HAAS MAGNETIC ENCODER (SHAFTED) | 1 |
| 9 | SPKT TIMING XL-.375-60 SPINDLE | 1 |
| 10 | TIMING BELT XL-.375-25 25 | 1 |
| 11 | SPINDLE EXTENSION | 1 |
| 12 | SHCS, 1/4-20 X 1 3/4" LG | 4 |
| 13 | 5C SPNDL ADPTR GASKT | 1 |
| 14 | SSS 10-32 X 3/8 FULL DOG | 1 |
| 15 | 54-0126 DRV BELT 1440-8MGT-20 POWER GRIP GT-2 | 1 |

Disclaimer: Not all parts are available for individual sale; Some are part of an assembly. Assembly configuration is subject to change without notice.

SHEET 2 OF 2

DESCRIPTION

EFFECTIVE DATE

TL-1 SPINDLE HEAD ASSEMBLY

NOV-2016