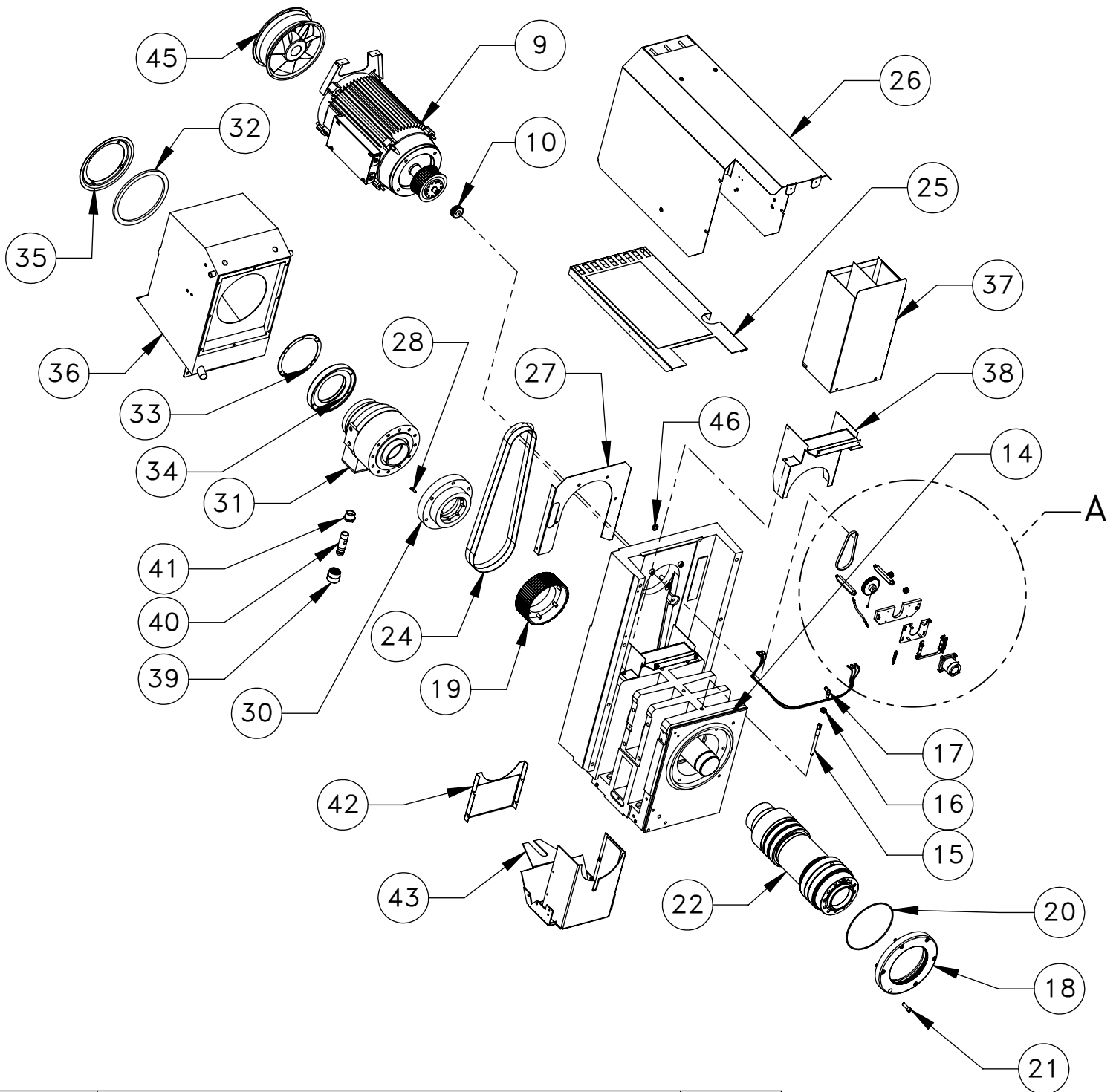
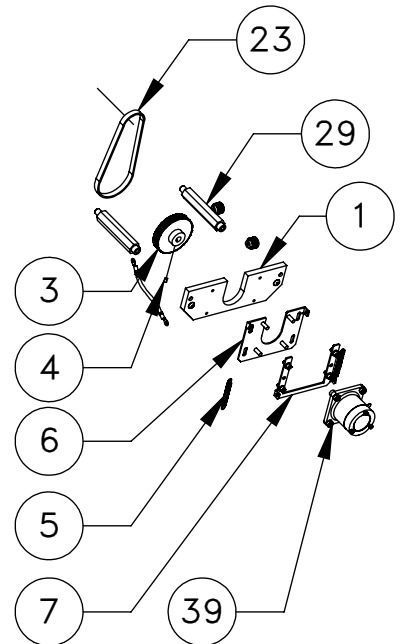


Go to [parts.haascnc.com](http://parts.haascnc.com) to get pricing and installation instructions for selected parts.



ITEM NO.	DESCRIPTION	QTY.
1	PLATE SPRING ENCDR MOUNT S30 BB	1
2	SHAFT MAGNETIC ENCODER (SHAFTED)	1
3	TIMING PULLEY .375 BORE	1
4	SSS 8-32 X 1/4 HALF DOG MCMASTER 92505A	1
5	SPRING EXT .29 OD X 1.5 LENCODER BELT TE	2
6	ENCODER SPRING MOUNT 50T GEARBOX 50/BX	1
7	25-6298.SLDPRT CLAMP ENCODER SPRING MNT	1
8	NUT 10-32 NYLON LOCK	4
9	SPINDLE MOTOR 20HP LNC MAG ENC	1
10	SPKT HTD P44-3M-09	1
11	JBOX CVR SPNDL MTR TERMINAL BLOCK	1
12	25-10231 BRACKET, COPPER, SENSOR MOUNTING	1
13	JBOX SPNDL MTR TERMINAL BLOCK	1
14	MACH SPNDL HOUSING ST REAR BALL	1
15	OIL MIST NOZZLE DOUBLE 5.35	1
16	NUT 1/2-13 JAM	1
17	FITG LBO-1/4 X NPT-1/8-M X 90 AIR ONLY	2
18	RING RETAINER SPINDLE	1
19	SPKT GT 8M-72-60	1
20	O-RING 2-265 BUNA	1
21	SHCS 3/8-16 X 1 1/4 LOCTITE	6
22	SPINDLE CARTRIDGE	1
23	DRV BELT HTD 3MX9 396-3M-09	1
24	DRV BELT 1440-8MGT-20 SET OF 2	1
25	COVER SPNDL MTR BOTTOM ST30	1
26	25-11579E COVER SPNDL MTR NO TRANS ST30	1
27	FRONT MTR CVR NO TRANS	1
28	SHCS 1/4-20 X 3/4 LOCTITE BLACK OXIDE	8
29	MOTOR ENCDR STAND OFF	2
30	HS CHUCK CLOSER ADAPTER, S30	1
31	CHUCK CYL 10-90 4800 RPM	1
32	CLNT COLL SEAL	1
33	GASKET COOLANT COLLECTOR HOUSING SL-20/3	1
34	CLNT COLL ADPTR LMC 10"	1
35	SWITCH BRACKET	1
36	COOLANT COLLECTOR, S30	1
37	UPPER BELT SHROUD ST30	1
38	UPPER BELT SHROUD BOTTOM HALF S20/30	2
39	HOSE CLAMP	1
40	CLNT DRAIN FITTING	1
41	FITG REDUCER NPT-1-M X NPT-3/4-F	1
42	LOWER BELT COVER	2
43	HYD CLSR ANTI ROT BRKT S	1
44	HAAS MAGNETIC ENCODER (SHAFTED)	1
45	FAN 10 600CFM	1
46	GROMMET KEYSTONE 744	1



DETAIL A  
SCALE 1 : 12

Disclaimer: Not all parts are available for individual sale; Some are part of an assembly. Assembly configuration is subject to change without notice.

SHEET 1 OF 1

DESCRIPTION

EFFECTIVE DATE

ST-30 SPINDLE HEAD ASSY 4800 RPM BELT

FEB-2013

SAP DOC NO./VER: 1000007261/01