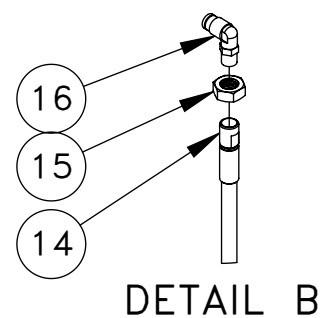
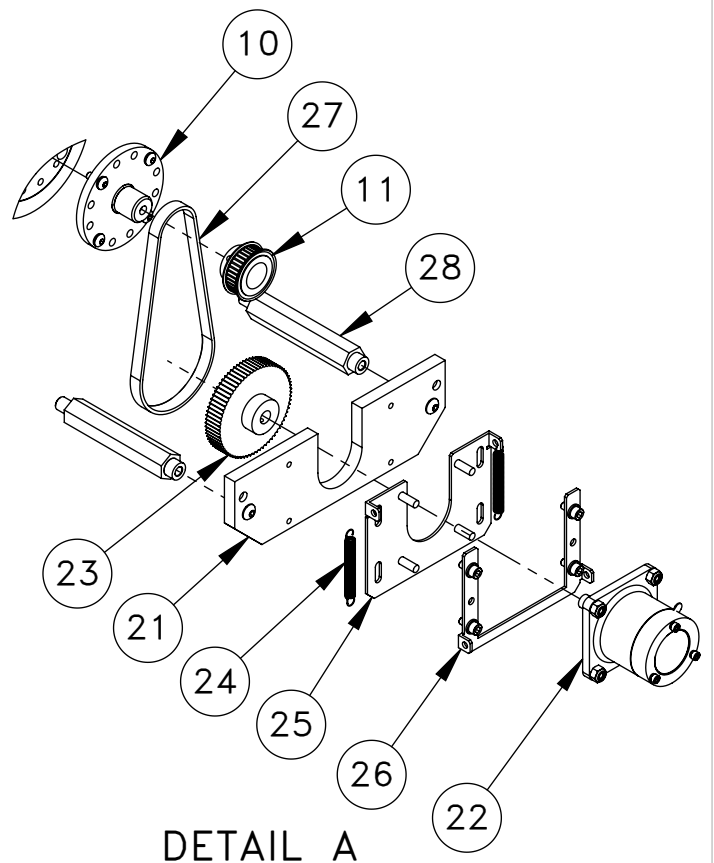
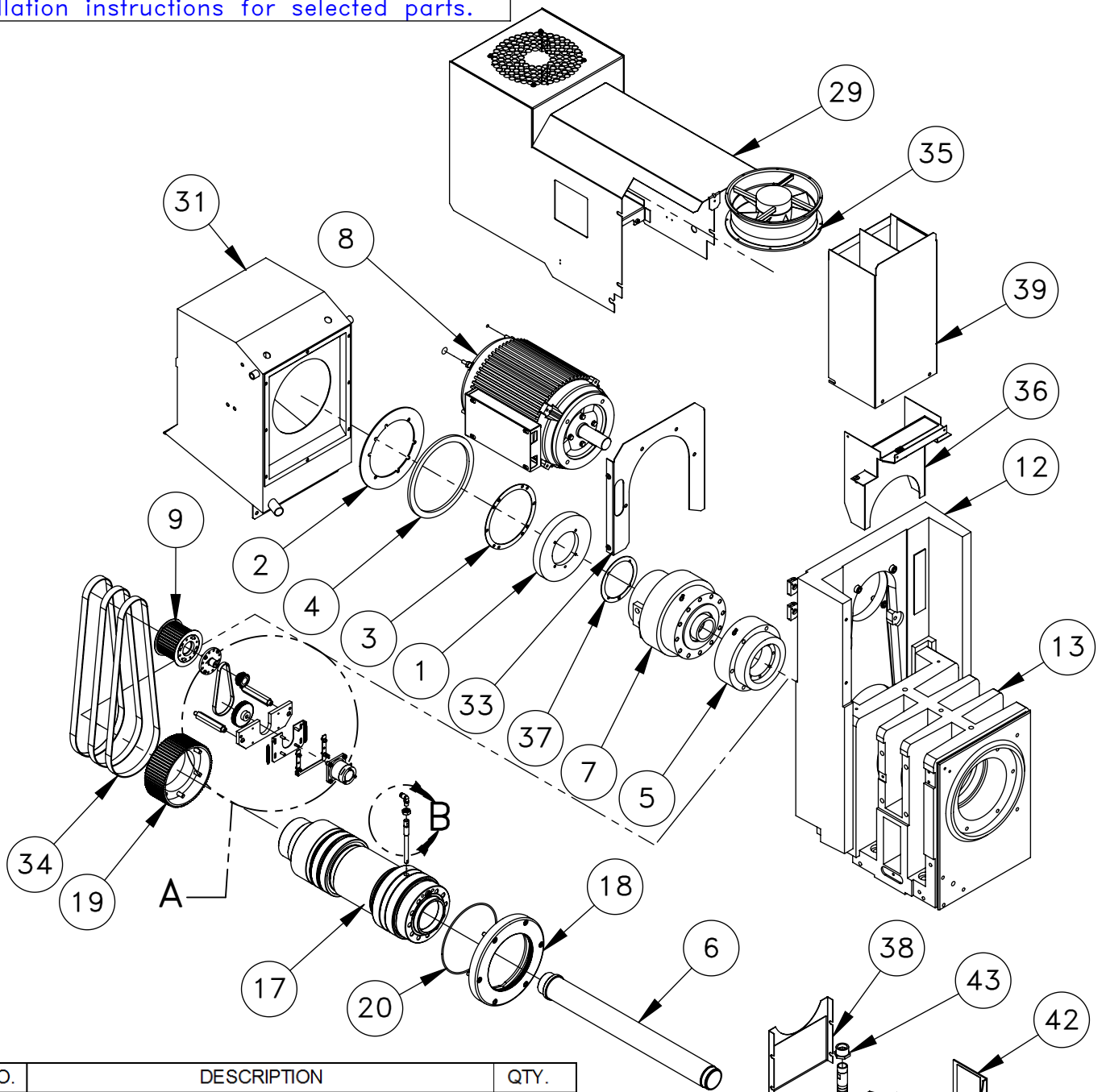


Go to parts.haascnc.com to get pricing and installation instructions for selected parts.



ITEM NO.	DESCRIPTION	QTY.
1	ADPTR KIT R/U CHP CLCTR ST20 5K	1
2	CLNT SEAL ADPTR ST30	1
3	GASKET COOLANT COLLECTOR HOUSING SL-20/3	1
4	CLNT COLL SEAL	1
5	ADAPTER 8" CYLINDER DRAWTUBEALUM	1
6	DRAWTUBE HYD8	1
7	CHUCK CYL 8 M60 52ID W/O CC CAX CLEAR	1
8	SPINDLE MOTOR 10HP BALDOR	1
9	SPKT PGGT 8M-36-60 ST20	1
10	NO TRANS ENCDR MOUNT	1
11	PULLEY DRIVE HTD 3MX09 P36-3M-09 0.75	1
12	SPNDL MOTOR MOUNT, MACH, ST-20	1
13	MACH SPNDL HOUSING ST REAR BALL	1
14	OIL MIST NOZZLE DOUBLE 5.35	1
15	NUT 1/2-13 JAM	3
16	FITG LBO-1/4 X NPT-1/8-M X 90	2
17	SPINDLE SHAFT 120MM A2-6	1
18	RING RETAINER SPINDLE	1
19	SPKT GT 8M-72-60	1
20	O-RING 2-265 BUNA	1
21	PLATE SPRING ENCDR MOUNT S30 BB	1
22	BODY MAGNETIC ENCDR SHAFTED (MACHINED)	1
23	TIMING PULLEY .375 BORE	1
24	SPRING EXT .29 OD X 1.5 LENCODER BELT TE	2
25	ENCODER SPRING MOUNT 50T GEARBOX 50/BX	1
26	CLAMP ENCDR SPRING MNT INLINE/SL-20	1
27	BELT, HTD 3MX09 384-3M-09	1
28	MOTOR ENCDR STAND OFF	2
30	MOTOR COVER BOTTOM ST20	1
32	FAN GUARD SPNDL 8.75IN FOR COMAIR 10IN	1
33	FRONT MTR CVR NO TRANS	1
34	BELT, PGGT 8MX20 1280-8MGT-20	3
35	FAN 10 600CFM	1
36	UPPER BELT SHROUD BOTTOM HALF S20/30	2
37	GASKET CLNT COLLECTOR SL-20 KITAGAWA	1
38	LOWER BELT COVER 25/10X10X6" BOX	1
39	UPPER BELT SHROUD, TOP HALF	1
40	HYDRAULIC OIL DRAIN FITTING	1
41	HOSE CLAMP	1
42	HYD CLSR ANTI ROT BRKT S20/S30	1
43	FITG REDUCER NPT-1-M X NPT-3/4-F	1

Disclaimer: Not all parts are available for individual sale; Some are part of an assembly. Assembly configuration is subject to change without notice.

SHEET 1 OF 1

DESCRIPTION

EFFECTIVE DATE

ST20/ST20Y 4000 RPM DIRECT SPEED, BELT DRIVE

NOV-2016

SAP DOC NO./VER: 1000006436/01