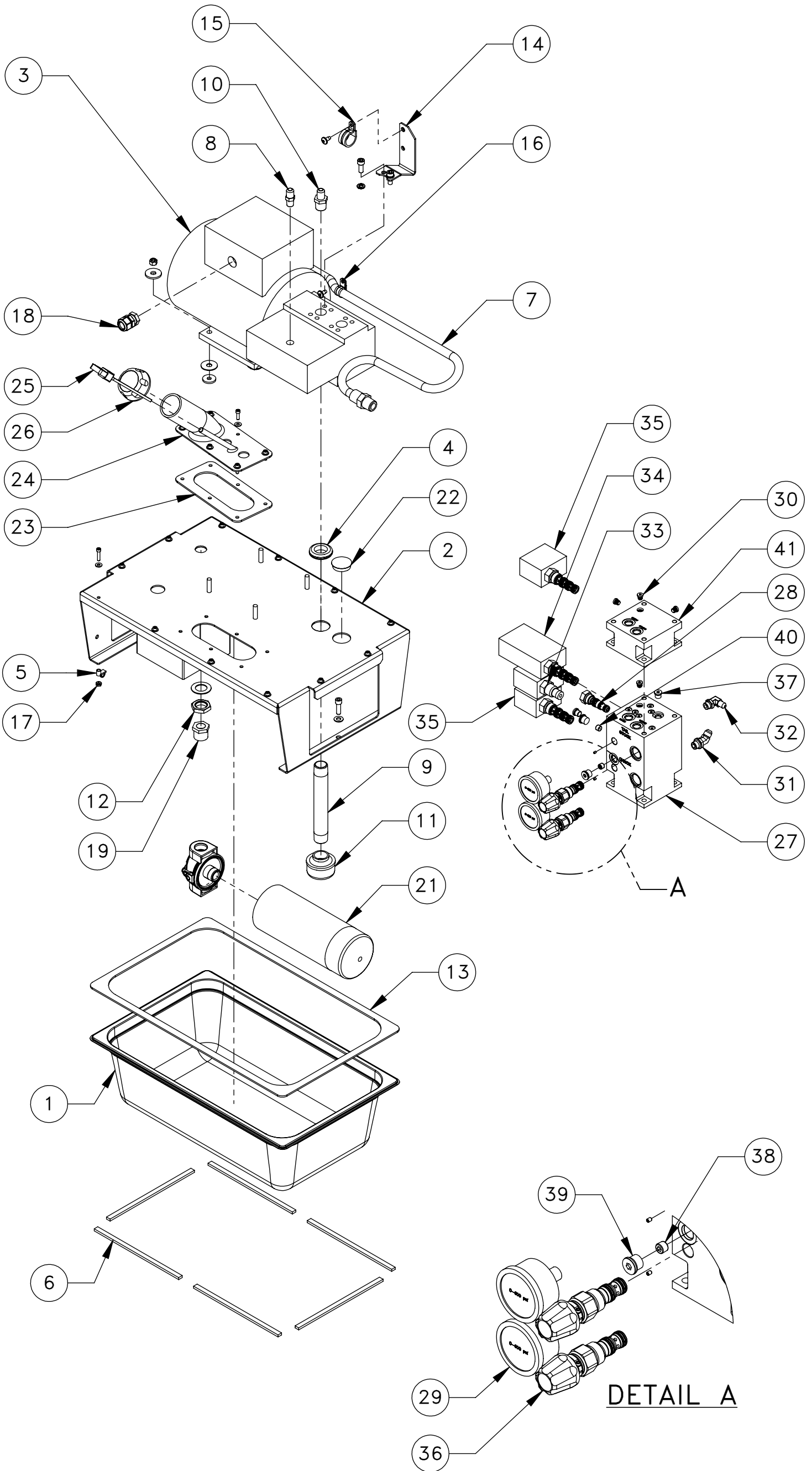


Go to [parts.haascnc.com](http://parts.haascnc.com) to get pricing and installation instructions for selected parts.



SEE SHEET 2 FOR BILL OF MATERIAL

Disclaimer: Not all parts are available for individual sale; Some are part of an assembly. Assembly configuration is subject to change without notice.

SHEET 1 OF 2

DESCRIPTION

EFFECTIVE DATE

**HYD TANK AND PUMP ASSY**

SEP-2016

SAP DOC NO./VER: 1000074655/01

Go to [parts.haascnc.com](http://parts.haascnc.com) to get pricing and installation instructions for selected parts.

ITEM NO.	PART NUMBER	PART DESCRIPTION	QTY.
1	59-1518	HYD TANK 4.5 GAL	1
2	25-10972A	HPU TANK TOP W/SEPARATOR	1
3	62-0997A	HYD PUMP 6GPM 2HP MULTIPLE SOURCE	1
4	59-7221	GROMMET 1ID X 1 3/8OD	1
5	49-0202	PANEL CLAMP 5/16 X #10 SCREW	12
6	20-6665	HYD TANK LOAD SPREADER	6
7	58-1836	HOSE ASSY 1/2ID NPT1/2-M NPT1/2-M 48	1
8	58-0039	FITG JIC-6-M X NPT-1/4-M STR VIBRA SEAL	1
9	58-1834	NIPPLE 3/4 NPT X 7 GALV	1
10	58-0870	FITG JIC-6-M X NPT-1/2-M STR	1
11	58-1832	FILTER SCREEN 50-60 MESH HYD NPT3/4F	1
12	46-1016	NUT 1/2 NPT PIPE LOCK MCMASTER 4429K1	1
13	57-0604	GASKET HPU TANK 4.5 GAL	1
14	25-11133A	HYD HOSE SUPPORT	1
15	59-0909	CABLE CLAMP, 1.00 RICHCO SPN-16	1
16	59-2041	CABLE CLAMP 11/16 RICHCO SPN-11	1
17	46-1620	NUT 10-32 HEX W/LCKWASHER	12
18	79-2021A	STRAIN RELIEF .24-.47 ID .8 DIA MNT HOLE	1
19	45-1739	WASHER 5/16 FLAT A325	2
20	58-3715	FITG NPT-1/2-F X NPT-3/4-M REDUC	1
21	58-1987	FILTER HEAD HYD NPT3/4F	1
22	59-1577	FILTER PAPER 10 MICRON HYD SPIN-ON	1
23	59-0848	HOLE PLUG 1.375 GRAY HEYCO 3999 KOS1	1
24	57-0603	GASKET HYD FILL NECK	1
25	25-11121	HYD FILL NECK	1
26	59-0940	DIPSTICK, 50T GB	1
27	20-6667	HYD FILL NECK CAP	1
28	20-6671	HYD MANIFOLD CHUCK AND TAILSTOCK	1
29	90-0057	HYD CART VALVE CHECK DUAL PILOT OPER -8	1
30	58-1829	GAUGE 0-600PSI/BAR X NPT-1/4-M BACK	2
31	58-0230	FITG ORB-2-M PLUG PARKER #2HP50N-	18
32	58-1851	FITG ORB6M X JIC6M 45 STL	2
33	58-0048	FITG ORB-6-M X JIC-4-M 90	2
34	90-0114	HYD VLV 2 WAY POPPET TYPE W/ COIL 120VAC	1
35	59-1517	HYD CART VALVE SOL 3 POS 4 WAY -10	1
36	59-1516	HYD CART VALVE SOL 2 POS 4 WAY -10	2
37	59-0439A	HYD CART VALVE PRESSURE ADJ NFPA 10	2
38	58-0835	FITG ORB-4 PLUG HOLLOW HEX PLUG	2
39	58-0873	ORIFICE 1/8 NPT X .070	1
40	58-0860	FITG ORB-6-M PLUG HOLLOW HEX PLUG	2
41	58-0310	ORIFICE 1/8NPT X .047 HPUREXROTH US00811	1
42	20-6668	HYD MANIFOLD TOOL CHANGER	1

Disclaimer: Not all parts are available for individual sale; Some are part of an assembly. Assembly configuration is subject to change without notice.

SHEET 2 OF 2

DESCRIPTION

EFFECTIVE DATE

**HYD TANK AND PUMP ASSY**

SEP-2016

SAP DOC NO./VER: 10000074655/01