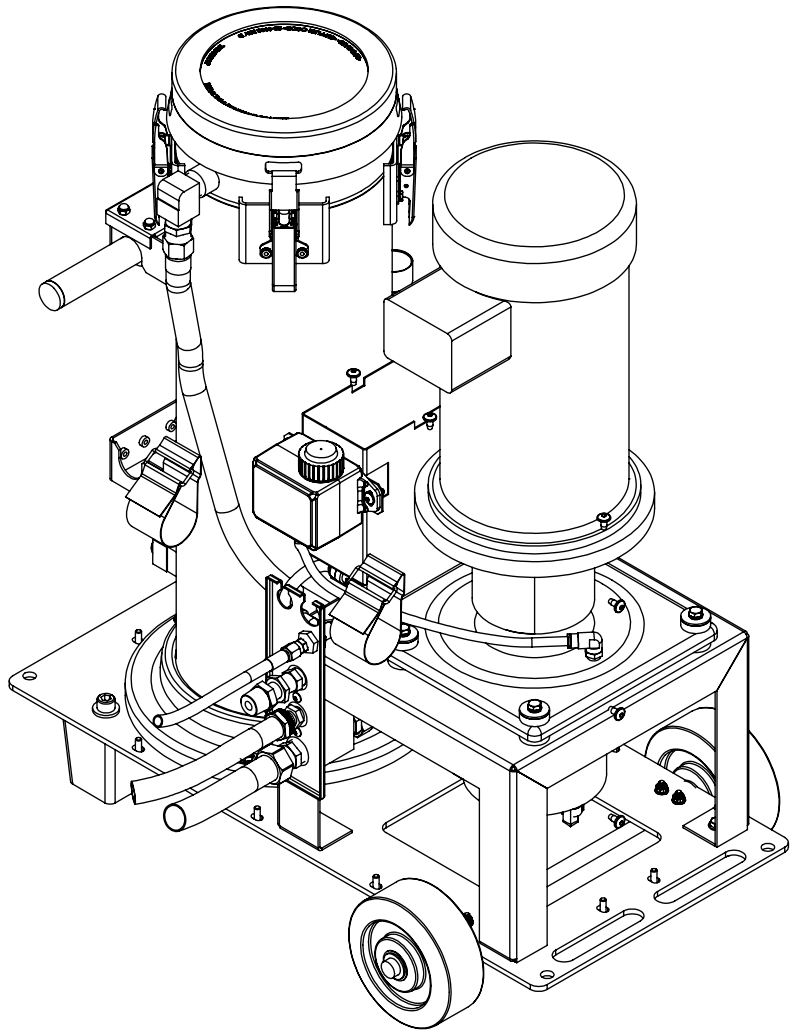
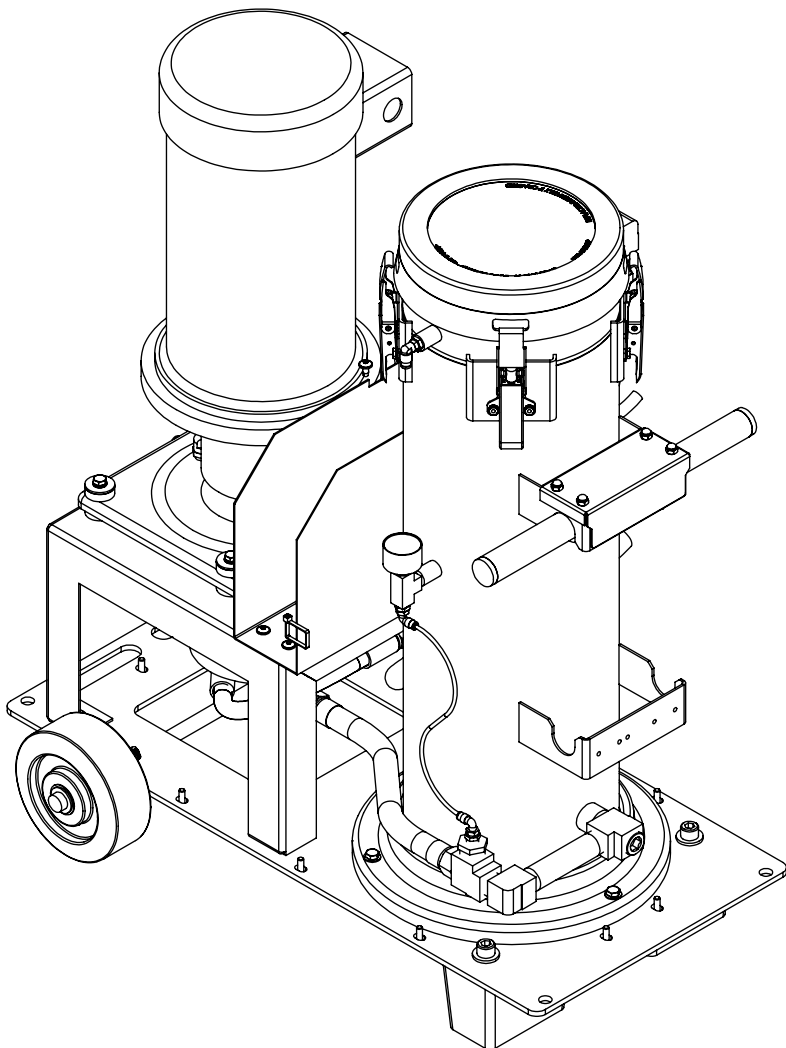


Go to parts.haascnc.com to get pricing and installation instructions for selected parts.



TSC 1000 PUMP AUXILARY FILTER
TOP ASSEMBLY
ENCLOSURES ARE NOT SHOWN FOR CLARITY



Disclaimer: Not all parts are available for individual sale; Some are part of an assembly. Assembly configuration is subject to change without notice.

SHEET 1 OF 5

DESCRIPTION

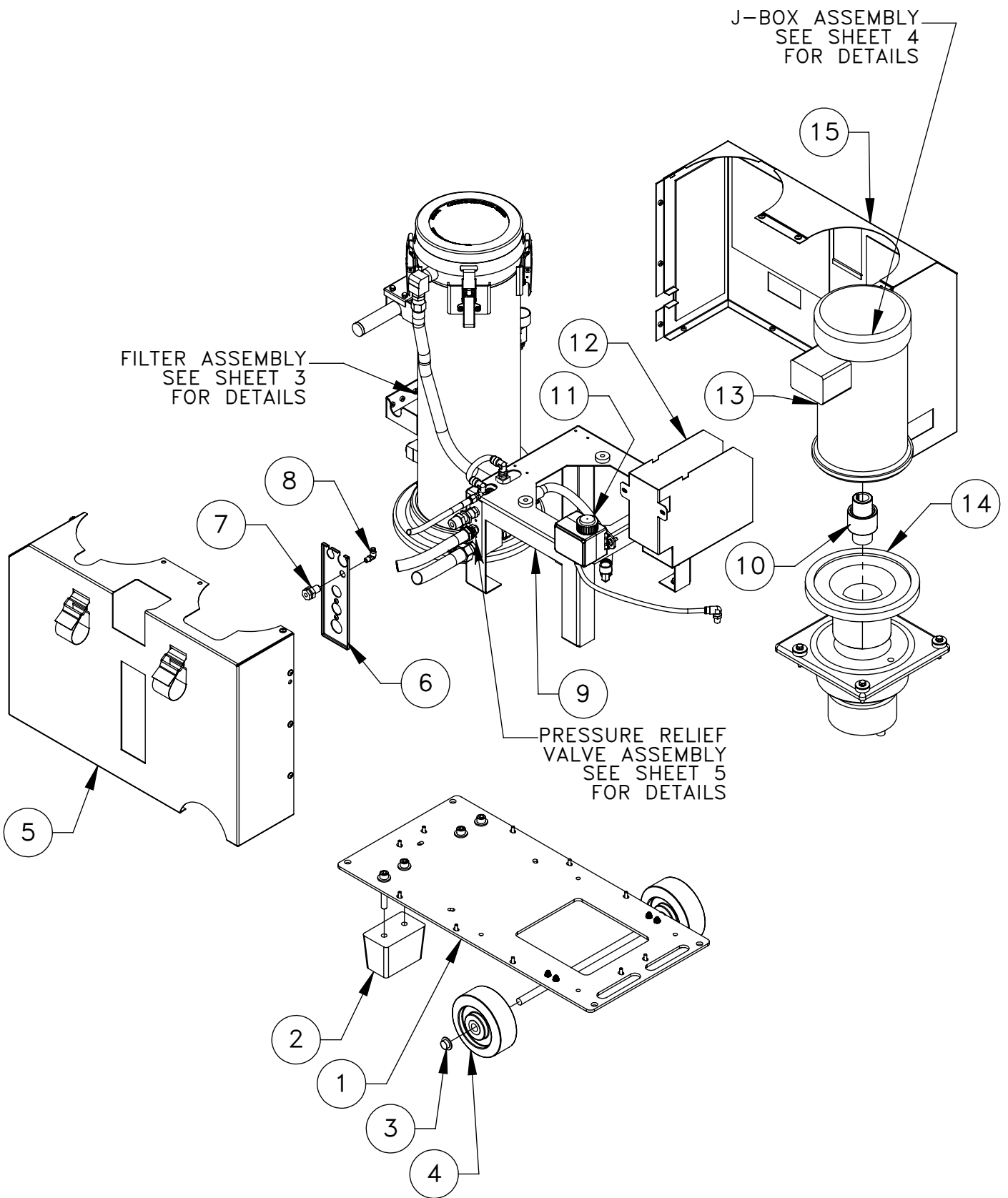
EFFECTIVE DATE

HPC 1000/TSC 1000 PUMP AUXILARY FILTER ASSEMBLY

JULY-2013

SAP DOC NO./VER: 1000016571/01

Go to parts.haascnc.com to get pricing and installation instructions for selected parts.



| ITEM NO. | Part Number | PART DESCRIPTION | QTY. |
|----------|-------------|--|------|
| 1 | 25-1796B | TSC 1000 BASE PLATE | 1 |
| 2 | 59-0792 | RUBBER BUMPER PUMP BASE | 2 |
| 3 | 49-0072 | CAP, STEEL, 5/8" SHFT DIA | 2 |
| 4 | 59-1114 | WHEEL, PHENOLIC, 6" DIA X 2" X 3/4" AXLE | 2 |
| 5 | 25-10190 | COVER REAR TSC 1000 | 1 |
| 6 | 25-10282 | BRACKET, ELEC CORD, TSC 1000 | 1 |
| 7 | 58-16760 | FITG BKHD NPT-1/8 X .625 DIA | 1 |
| 8 | 58-3050 | FITG LBO-1/4 X NPT-1/8-M X 90 | 2 |
| 9 | 25-10181 | TSC 1000 PUMP STAND | 1 |
| 10 | 52-0165A | TSC PUMP COUPLING 1-1/8 X 7/8 | 1 |
| 11 | 28-0132 | OIL RESERVOR, 500ML | 1 |
| 12 | 25-10187 | BRACKET RESERVOIR TSC 1000 | 1 |
| 13 | 62-1029B | MTR 5HP PUMP 3PH 60/50HZ W/THERMAL PROTE | 1 |
| 14 | 90-0108 | HYDRA-CELL PUMP, 1000PSI | 1 |
| 15 | 25-10189 | COVER FRONT TSC 1000 | 1 |

Disclaimer: Not all parts are available for individual sale; Some are part of an assembly. Assembly configuration is subject to change without notice.

SHEET 2 OF 5

DESCRIPTION

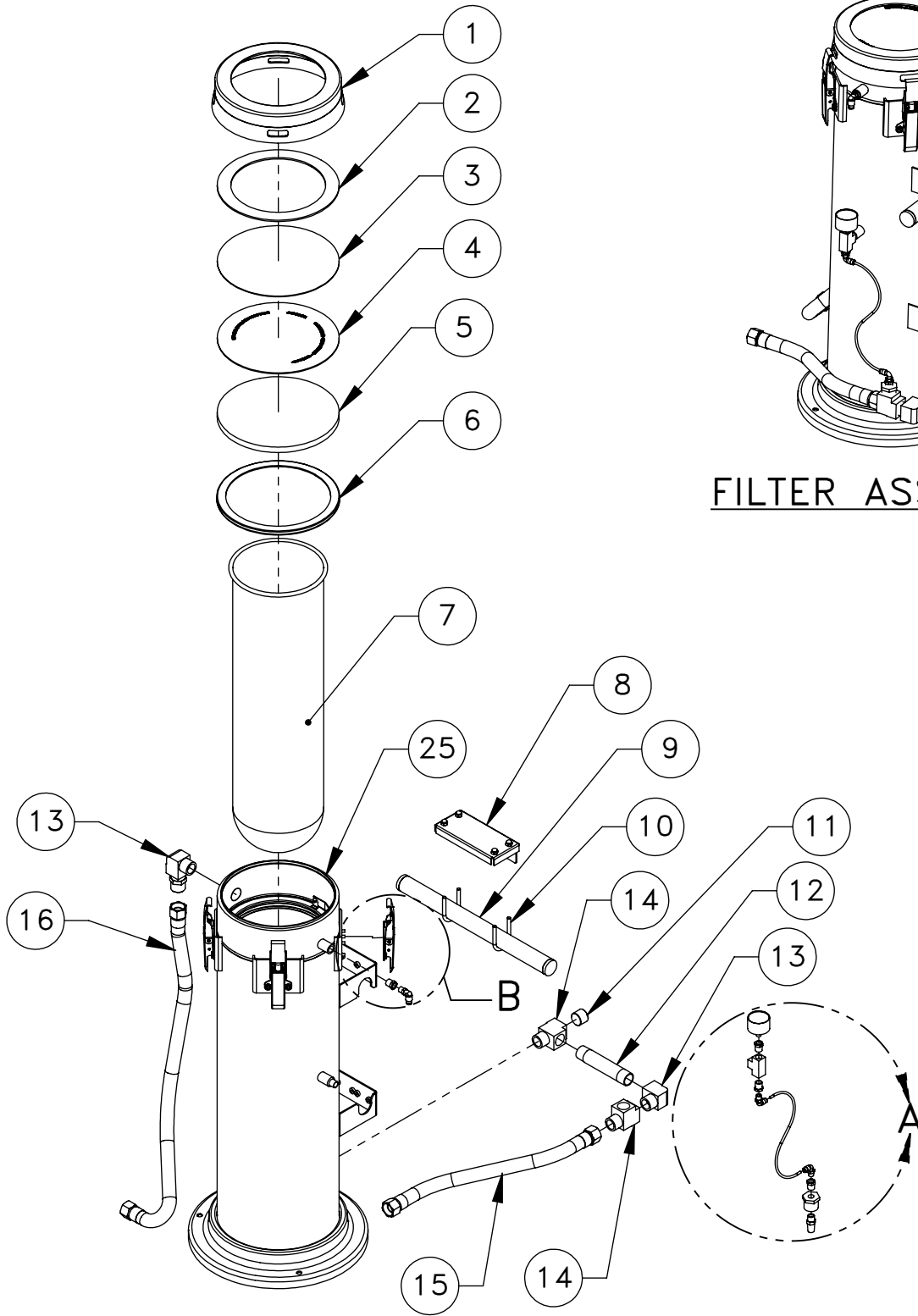
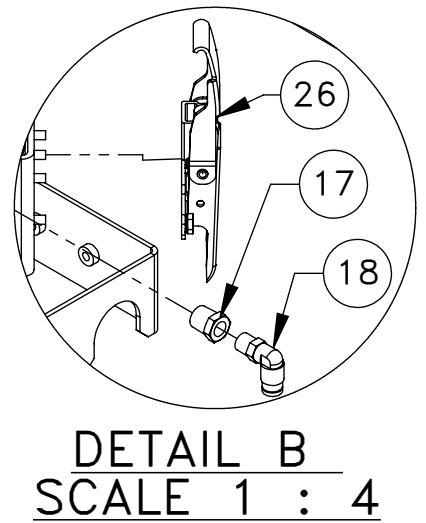
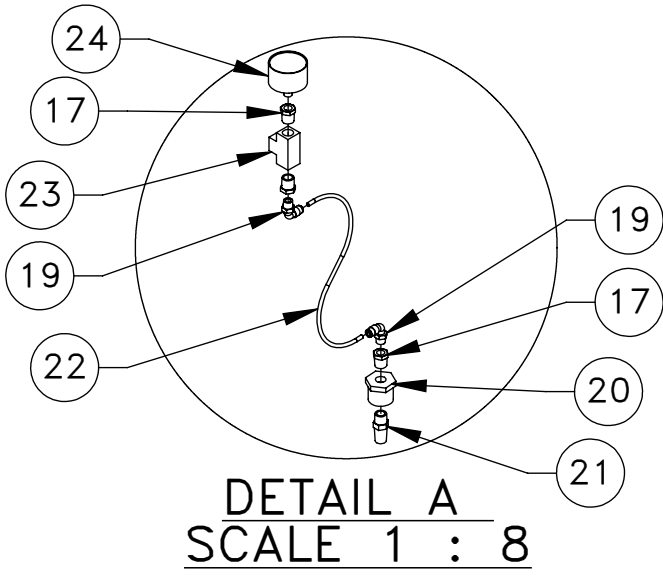
EFFECTIVE DATE

HPC 1000/TSC 1000 PUMP AUXILARY FILTER ASSEMBLY

JULY-2013

SAP DOC NO./VER: 1000016571/01

Go to parts.haascnc.com to get pricing and installation instructions for selected parts.



| ITEM NO. | Part Number | PART DESCRIPTION | QTY. |
|----------|-------------|--|------|
| 1 | 20-5722 | AF TANK LID W/WINDOW | 1 |
| 2 | 26-0401 | SEAL, SIGHT GLASS, AF TANK | 1 |
| 3 | 28-0138 | SIGHTGLASS AF TANK | 1 |
| 4 | 28-0138 | SIGHTGLASS AF TANK | 1 |
| 5 | 28-0138 | SIGHTGLASS AF TANK | 1 |
| 6 | 57-0462 | SEAL, MOLDED, AF TANK LID | 2 |
| 7 | 93-9130 | FILTER BAG #2 25 MICRON | 1 |
| 8 | 25-10186 | PLATE HANDLE BAR MOUNT TSC 1000 | 1 |
| 9 | 20-5724 | HANDLE BAR TSC 1000 | 1 |
| 10 | 49-0162 | U BOLT, STEEL, 1-1/4" OD | 2 |
| 11 | 58-0444 | 3/4-14 NPT PIPE PLUG HEX SOCKET | 1 |
| 12 | 58-0085 | NIPPLE 3/4 NPT X 5 RED BRASS VIBRA SEAL | 1 |
| 13 | 58-1696 | FITG NPT-3/4-F X NPT-3/4-M 90 BR | 2 |
| 14 | 58-1510 | FITG 3/4NPTM X 3/4NPTF X 3/4NPTF TEE BR | 2 |
| 15 | 30-11279 | HOSE 3/4NPTF-3/4NPTF X 18" | 1 |
| 16 | 30-11280 | HOSE 3/4NPTF-3/4NPTF X 34" | 1 |
| 17 | 58-3670 | FITG REDUCER NPT-1/4-M X NPT-1/8-F | 4 |
| 18 | 58-3050 | FITG LBO-1/4 X NPT-1/8-M X 90 | 1 |
| 19 | 58-3659 | FITG LBO-5/32 X NPT-1/8-M X 90 | 2 |
| 20 | 58-1740A | FITG REDUCER NPT-3/4-M X NPT-1/4-F BUS | 1 |
| 21 | 58-3069 | AIR MUFFLER NPT-1/4-M EXTENDED BRONZE | 1 |
| 22 | 58-2010 | HOSE 5/32 OD NYLON CLEAR | 1 |
| 23 | 58-3695 | FITG NPT-1/4-F X NPT-1/4-F X NPT | 1 |
| 24 | 58-1524 | GAUGE VACUUM 0-30 IN-HG X NPT-1/4-M BACK | 1 |
| 25 | 20-4951C | AF TANK BODY W/BASE FLANGE | 1 |
| 26 | 59-0842 | AF TANK LID LATCH | 4 |

Disclaimer: Not all parts are available for individual sale; Some are part of an assembly. Assembly configuration is subject to change without notice.

SHEET 3 OF 5

DESCRIPTION

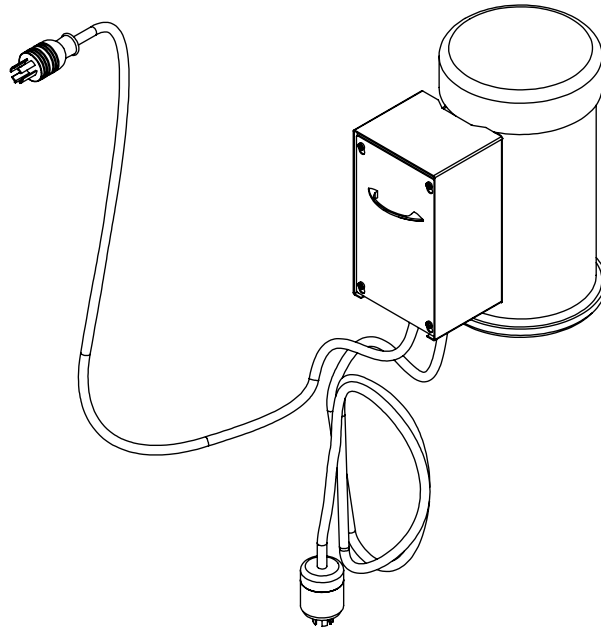
EFFECTIVE DATE

HPC 1000/TSC 1000 PUMP AUXILIARY FILTER ASSEMBLY

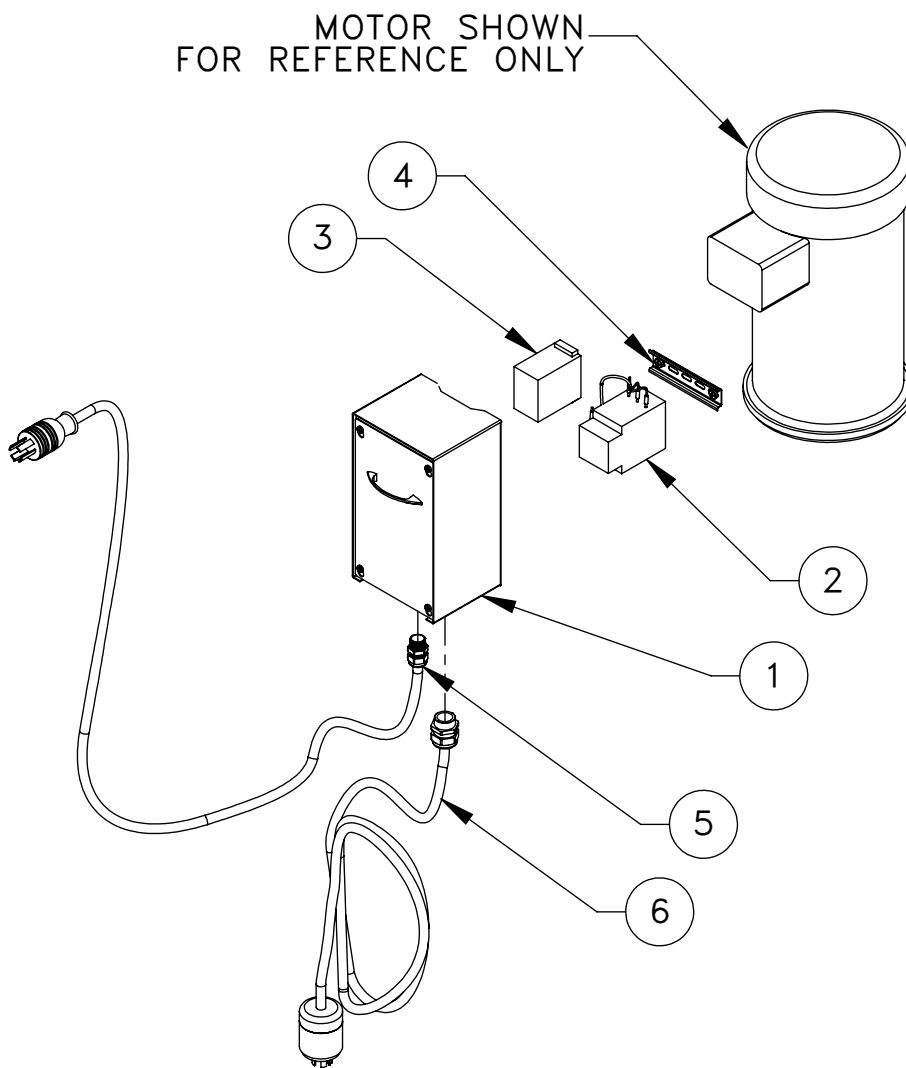
JULY-2013

SAP DOC NO./VER: 1000016571/01

Go to parts.haascnc.com to get pricing and installation instructions for selected parts.



J-BOX ASSEMBLY



| ITEM NO. | Part Number | PART DESCRIPTION | QTY. |
|----------|-------------|--|------|
| 1 | 25-10188 | JUNCTION BOX TSC 1000 MOTOR | 1 |
| 2 | 61-7365A | BREAKER 20A 3PH DIN RAIL HI INRSH LNG DE | 1 |
| 3 | 67-9147 | CONTACTR IEC AX_NC 37A 3POLE W/240V COIL | 1 |
| 4 | 20-1689 | DIN RAIL 5 IN LONG | 1 |
| 5 | 32-5127A | CBL940 TSC1000 CNTCTR 240V COIL PWR | 1 |
| 6 | 33-5122B | PWRGRD 4#12 W/L15-20P 13' | 1 |

Disclaimer: Not all parts are available for individual sale; Some are part of an assembly. Assembly configuration is subject to change without notice.

SHEET 4 OF 5

DESCRIPTION

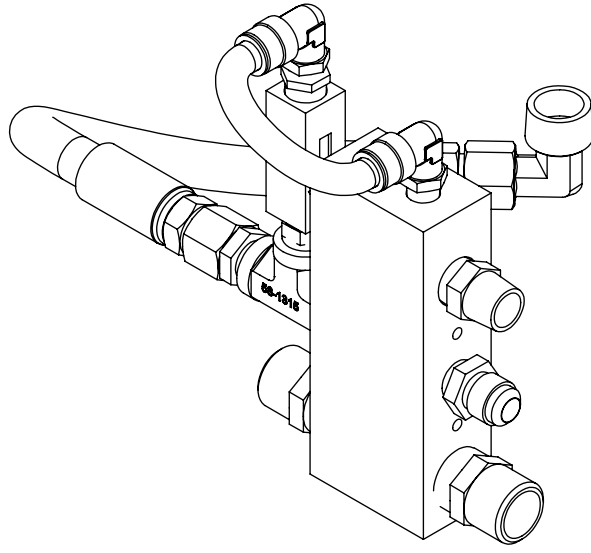
EFFECTIVE DATE

HPC 1000/TSC 1000 PUMP AUXILARY FILTER ASSEMBLY

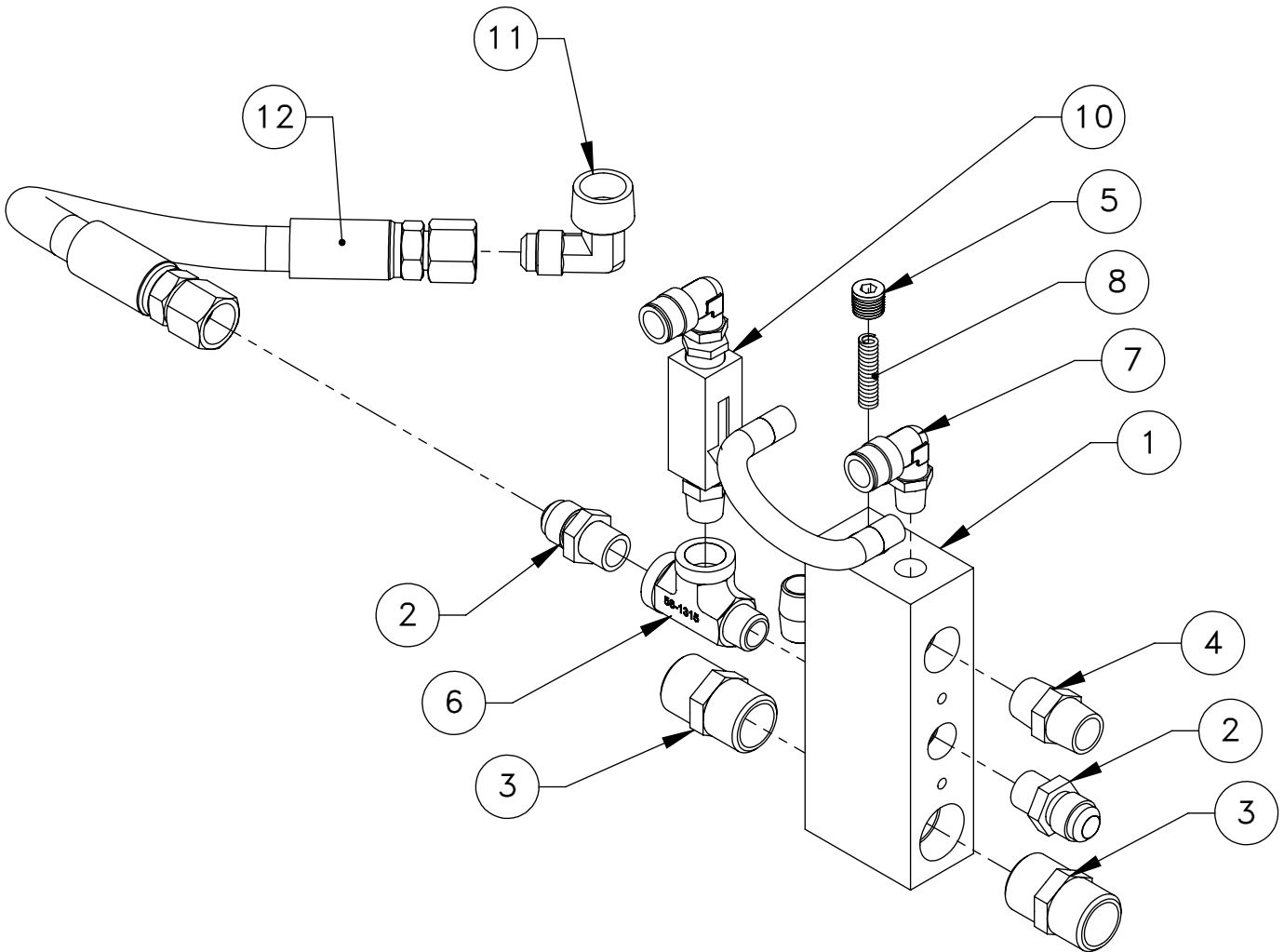
JULY-2013

SAP DOC NO./VER: 1000016571/01

Go to parts.haascnc.com to get pricing and installation instructions for selected parts.



PRESSURE RELIEF VALVE ASSEMBLY



| ITEM NO. | Part Number | PART DESCRIPTION | QTY. |
|----------|-------------|---|------|
| 1 | 20-5721 | VALVE BODY PRESSURE RELIEF | 1 |
| 2 | 58-0027 | FITG SAE45-8-M X NPT-3/8-M CONN | 2 |
| 3 | 58-1452 | NIPPLE 3/4 NPT X 1 13/16 HEX BRASS | 2 |
| 4 | 58-0287 | HEX NIPPLE 1/2NPT BRASS LOCTITE VIBRA S | 1 |
| 5 | 58-3105 | FITG NPT-1/4-M PLUG LOCTITE VIBRA S | 1 |
| 6 | 58-1315 | FITG 3/8NPT-M X 3/8NPT-F X3/8NPT-F TEE | 1 |
| 7 | 58-0254 | FITG CAM-1/2 X NPT-1/4-M 90 HI | 1 |
| 8 | 59-1372 | COMPRESSION SPRING LEE LHL 375B 04 | 1 |
| 10 | 30-11276 | AIRBLEED VALVE ASSY | 1 |
| 11 | 58-0025 | FITG SAE45-8-M 90 X NPT-3/4-M 90 BR | 1 |
| 12 | 30-11278 | HYD HOSE 8-8DUALF-8DUALF-19.5" | 1 |

Disclaimer: Not all parts are available for individual sale; Some are part of an assembly. Assembly configuration is subject to change without notice.

SHEET 5 OF 5

DESCRIPTION

EFFECTIVE DATE

HPC 1000/TSC 1000 PUMP AUXILIARY FILTER ASSEMBLY

JULY-2013

SAP DOC NO./VER: 10000016571/01