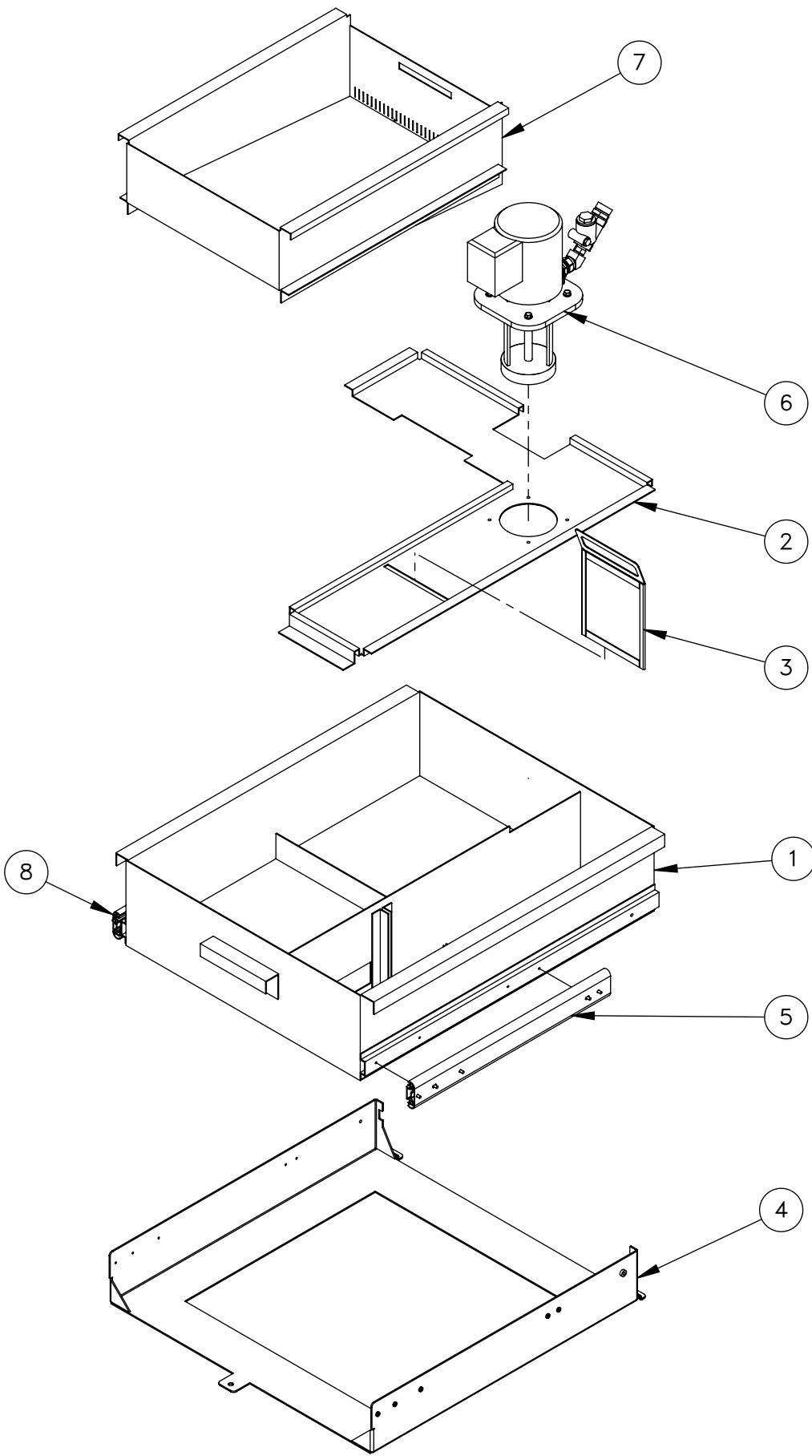


Go to [parts.haascnc.com](http://parts.haascnc.com) to get pricing and installation instructions for selected parts.



ITEM NO.	Part Number	PART DESCRIPTION	QTY.
1	25-7069	COOLANT TANK OM-1	1
2	25-7070	BRACKET PUMP ASSY OM-1 30/PLT	1
3	25-6838	FILTER COOLANT TANK OM-1/OL-1 20/BOX	1
4	25-7072A	SUPPORT COOLANT TANK OM-1	1
5	59-0902	DRAWER SLIDE RHS 18 TRAVEL DRAWING	1
6	90-6002B	FOR DETAILS SEE IMPELER PUMP 1/8HP	1
7	25-7071	CHIP TRAY OM-1	1
8	59-0903	DRAWER SLIDE LHS 18 TRAVEL. PUR	1

Disclaimer: Not all parts are available for individual sale; Some are part of an assembly. Assembly configuration is subject to change without notice.

SHEET 1 OF 1

DESCRIPTION

EFFECTIVE DATE

COOLANT TANK ASSEMBLY OM

FEB-2014

SAP DOC NO./VER: 1000075585/01