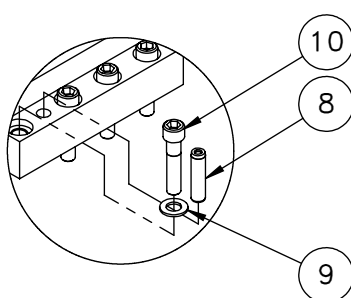
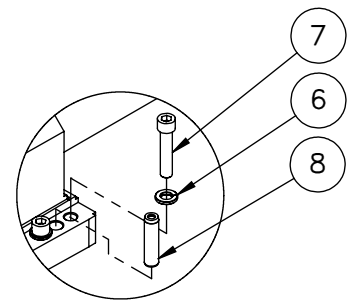


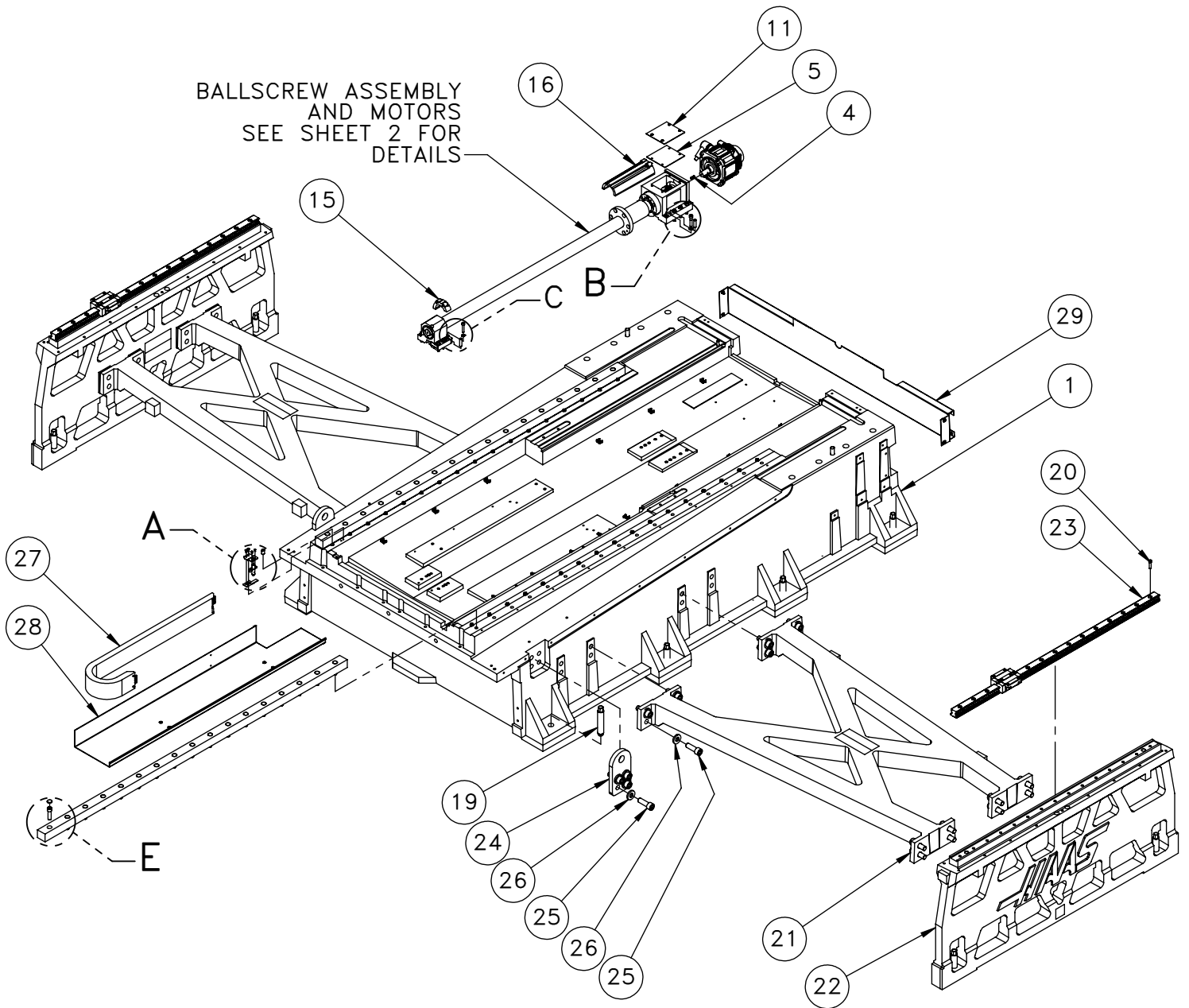
DETAIL A  
SCALE 1 : 5



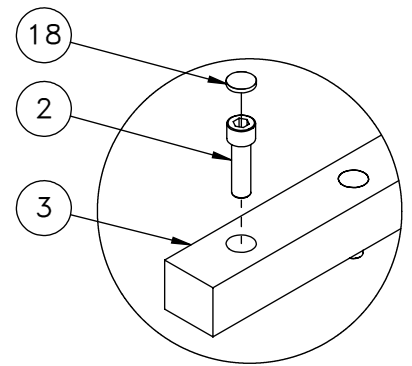
DETAIL B  
SCALE 1 : 5



DETAIL C  
SCALE 1 : 5



ITEM NO.	DESCRIPTION	QTY.
1	MACHINING BASE VF-6	1
2	SHCS 1/2 - 13 X 1 1/3 (HAAS P/N: 40-1663)	34
3	LINEAR GUIDE 45 X 1778 VF-3 FOR SERVICE	1
4	KEY 6MM X .75" LG	1
5	26-7233A.SLDPRT GASKET DEFLECTOR SHIELD	1
6	WASHER 5/16 SPLT LOCK PLT	10
7	SHCS 5/16-18 X 1 1/2" LG	6
8	DOWEL PIN 3/8 X 1 1/2PULL	6
9	WASHER 3/8 SPLT LOCK PLT MED	8
10	SHCS 3/8-16 X 1 3/4 DOMESTIC ONLY	8
11	COVER PLT MTR MNT 50-100/BX & MX 10K/PLT	1
12	PROX SW NC 3 WIRE 1.5' W/CONN	1
13	MOUNTING BRACKET 250 / BOX	1
14	PROX SNSR COVER VF-6-11 Y AXIS	1
15	BUMPER 1 40/50MM LEADSCREW	1
16	BUMPER 9 40/50MM BSCREW EC-500 BASE	1
17	CAM LINEAR GUIDE	34
18	PLUG GUID RAIL .788 OD X .118 THICK RU	34
19	SSS 1-14 X 5 ROUND PT	12
20	SHCS 5/16-18 X 1 1/4 DOMESTIC ONLY	30
21	MACHINED CROSSMEMBER VF-10/11	2
22	MACHINED OUTRIGGER VF-10/11	2
23	LINEAR GUIDE 35 X 1194	2
24	PLATE LIFTING EYE	2
25	SHCS 3/4-10 X 2.25	40
26	WASHER, FLAT, STEEL, 3/4" ID X 1 5/8" OD X 1/4" THK	40
27	VMC-L Y-AXIS CABLE CARRIER	1
28	VMC-L BASE CARRIER TRAY	1



DETAIL E  
SCALE 1 : 5

SHEET 1 OF 2

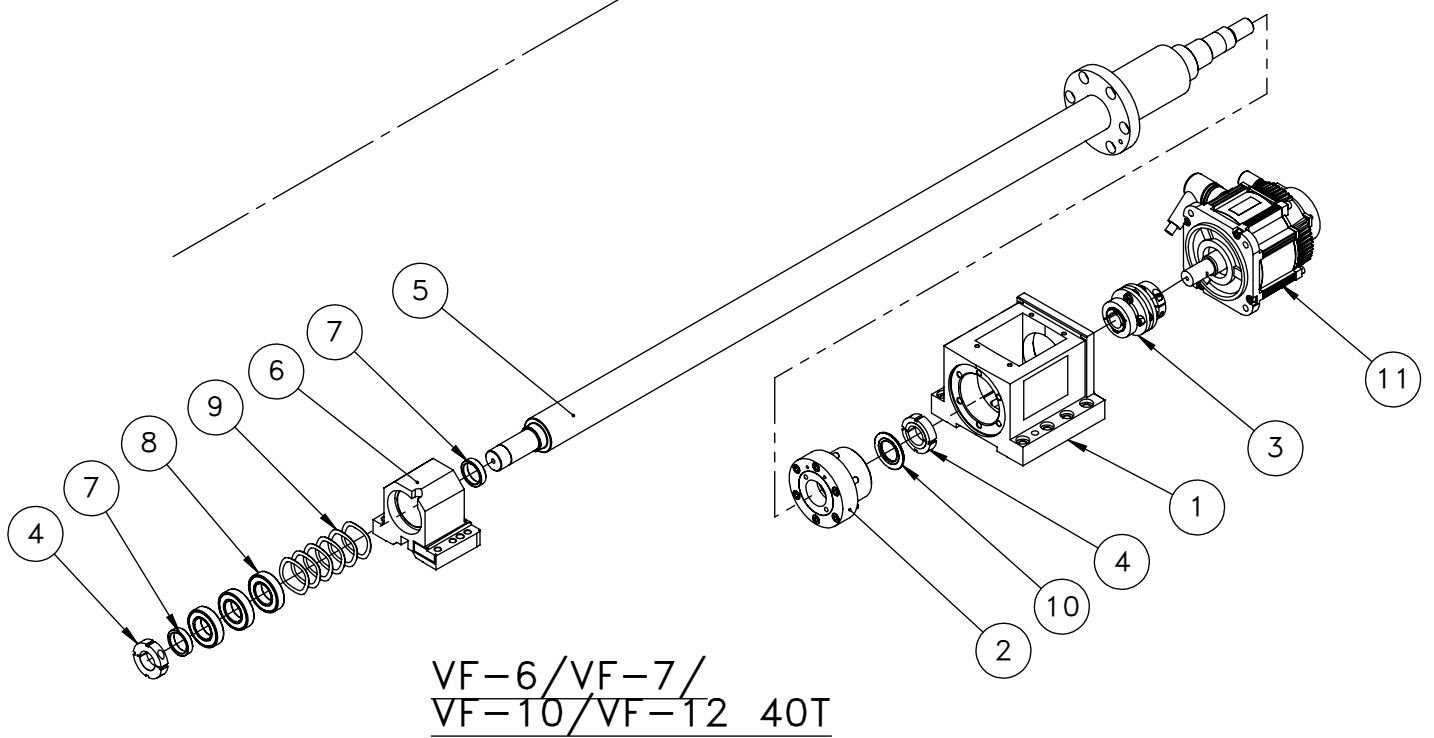
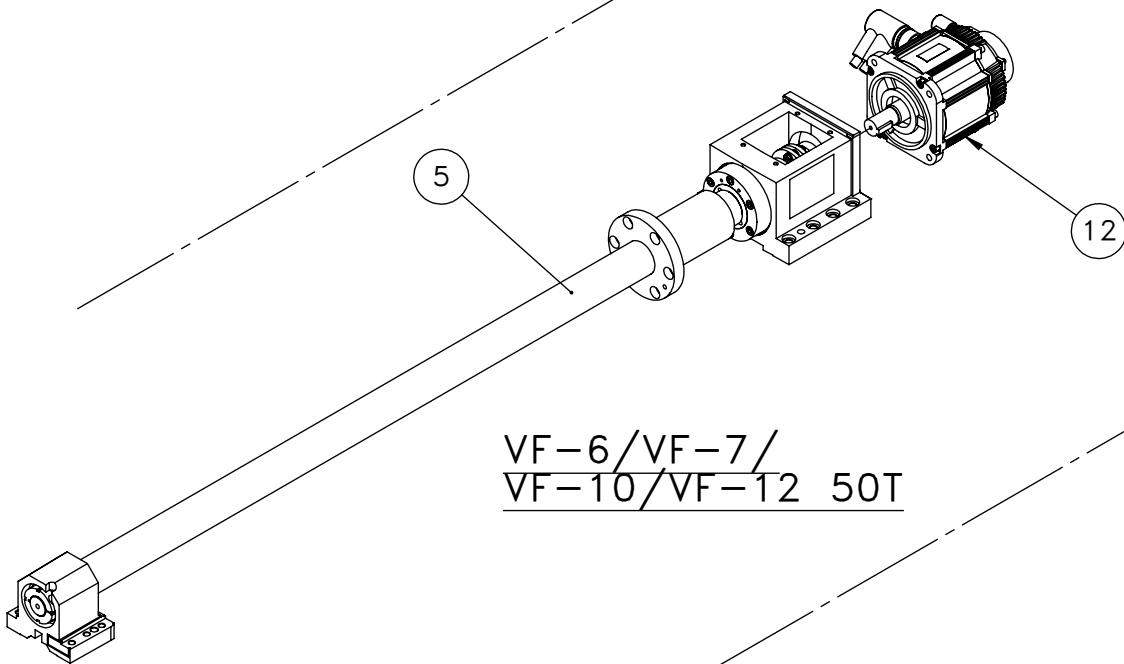
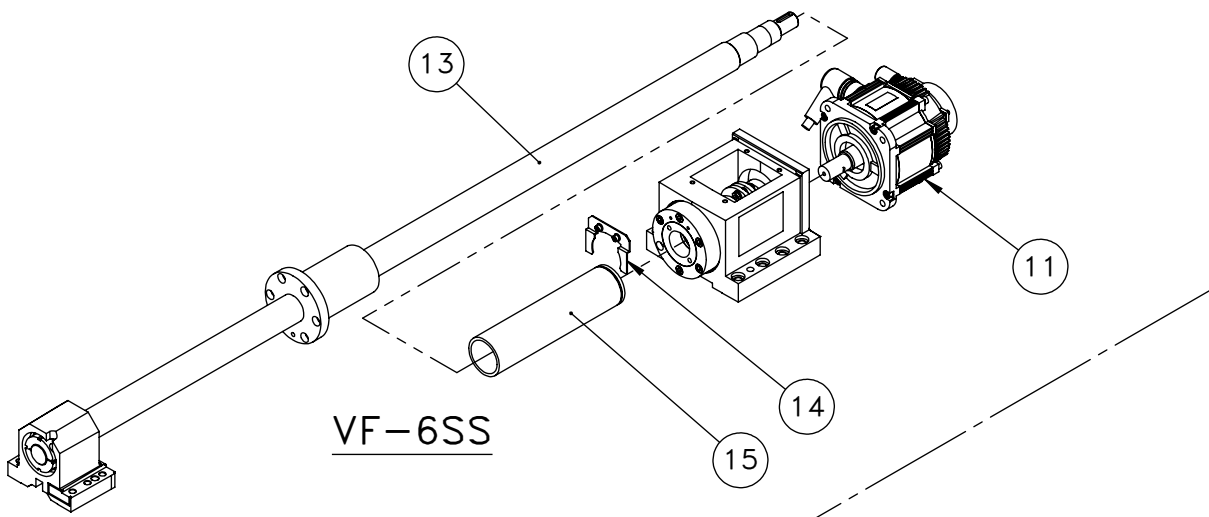
DESCRIPTION

EFFECTIVE DATE

VF-6/VF-6SS/VF-7/VF-10/VF-12 BASE ASSEMBLY

APRIL-2014

SAP DOC NO./VER: 1000025340/01



ITEM NO.	DESCRIPTION	QTY.
1	MCHNG MTR MOUNT, 40 & 50 MM BS	1
2	BEARING HOUSING 40MM BALLSCREW	1
3	COUPLING SERVO BRUSHLESS VF-10	2
4	BEARING LOCK NUT TCN-06-F	2
5	BSCREW 50-10-1412	1
6	BRNG HSNQ 40/50MM BS MACHVF-6-10	1
7	SPACER TORQUE LIMIT BALLSCREW VF-6-	2
8	BEARING DEEP GROOVE	3
9	WASHER WAVE DISC SPRING MCMSTR #971K73	6
10	SPACER RING 40MM BALLSCREW	1
11	SRVOMTR YASK SIGMA-5 13 W/O BRAKE	1
12	SRVOMTR YASK SIGMA-5 20 W/O BRAKE	1
13	BSCREW 40-10-1411 X-AXIS VF-3	1
14	SNAP LOCK BMPR CLMP 40/50	1
15	Y-AXIS BMPR MTR END 40MM 9.25	1

SHEET 2 OF 2

DESCRIPTION

EFFECTIVE DATE

VF-6/VF-6SS/VF-7/VF-10/VF-12 BASE ASSEMBLY

APRIL-2014

SAP DOC NO./VER: 1000025340/01