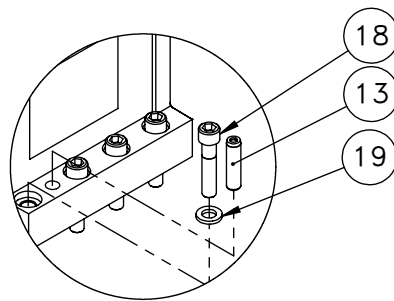
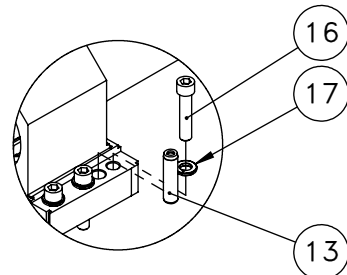


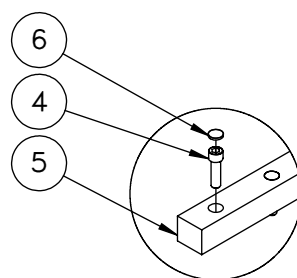
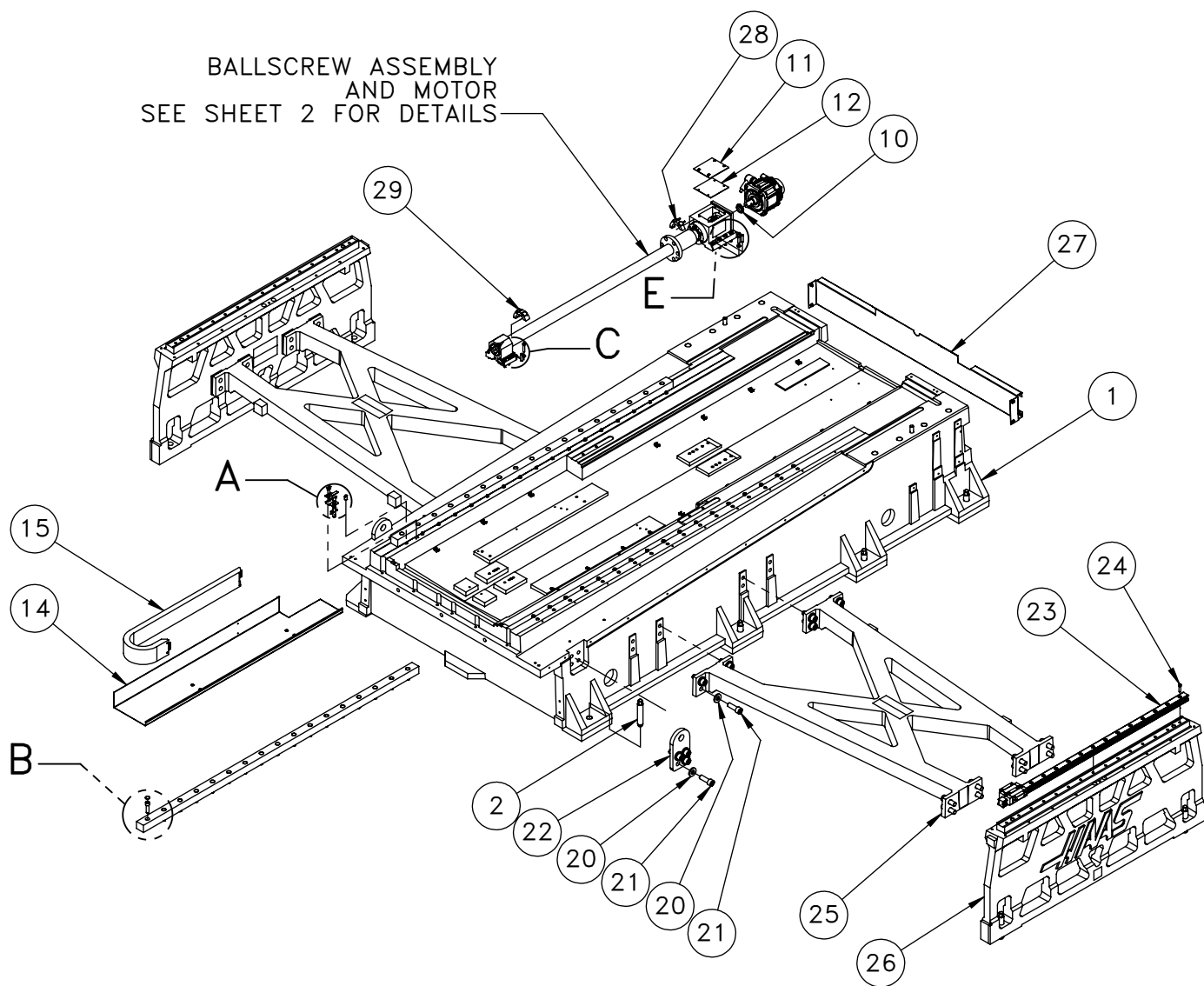
DETAIL A
SCALE 1 : 5



DETAIL E
SCALE 1 : 5



DETAIL C
SCALE 1 : 5



DETAIL B
SCALE 1 : 10

| ITEM NO. | DESCRIPTION | QTY. |
|----------|---|------|
| 1 | VF-8/9/11 MACHINED BASE | 1 |
| 2 | SSS 1-14 X 5 ROUND PT | 12 |
| 3 | CAM LINEAR GUIDE | 34 |
| 4 | SHCS 1/2 - 13 X 1 1/3 (HAAS P/N: 40-1663) | 34 |
| 5 | LINEAR GUIDE 45 X 1778 VF-3 FOR SERVIC | 1 |
| 6 | PLUG GUID RAIL .788 OD X .118 THICK RU | 34 |
| 7 | PROX SW NC 3 WIRE 1.5' W/CONN | 1 |
| 8 | PROX SNSR COVER VF-6-11 Y AXIS | 1 |
| 9 | MOUNTING BRACKET 250 / BOX | 1 |
| 10 | SEAL 1.188 CR400301 | 1 |
| 11 | COVER PLT MTR MNT 50-100/BX & MX 10K/PLT | 1 |
| 12 | 26-7233A.SLDPRT GASKET DEFLECTOR SHIELD | 1 |
| 13 | DOWEL PIN 3/8 X 1 1/2PULL | 4 |
| 14 | VMC-L BASE CARRIER TRAY | 1 |
| 15 | VMC-L Y-AXIS CABLE CARRIER | 1 |
| 16 | SHCS 5/16-18 X 1 1/2" LG | 6 |
| 17 | WASHER 5/16 SPLT LOCK PLT | 10 |
| 18 | SHCS 3/8-16 X 1 3/4 DOMESTIC ONLY | 8 |
| 19 | WASHER 3/8 SPLT LOCK PLT | 8 |
| 20 | WASHER, FLAT, STEEL, 3/4" ID X 1 5/8" OD X 1/4" THK | 40 |
| 21 | SHCS 3/4-10 X 2.25 | 40 |
| 22 | PLATE LIFTING EYE | 2 |
| 23 | LINEAR GUIDE 35 X 1194 | 2 |
| 24 | SHCS 5/16-18 X 1 1/4 DOMESTIC ONLY | 30 |
| 25 | MACHINED CROSSMEMBER VF-10/11 | 2 |
| 26 | MACHINED OUTRIGGER VF-10/11 | 2 |
| 27 | BACK BASE CABLE CHANNEL | 1 |
| 28 | BUMPER .750 40MM LDSCRW BRG HSG | 1 |
| 29 | BUMPER 1 40/50MM LEADSCRW | 1 |

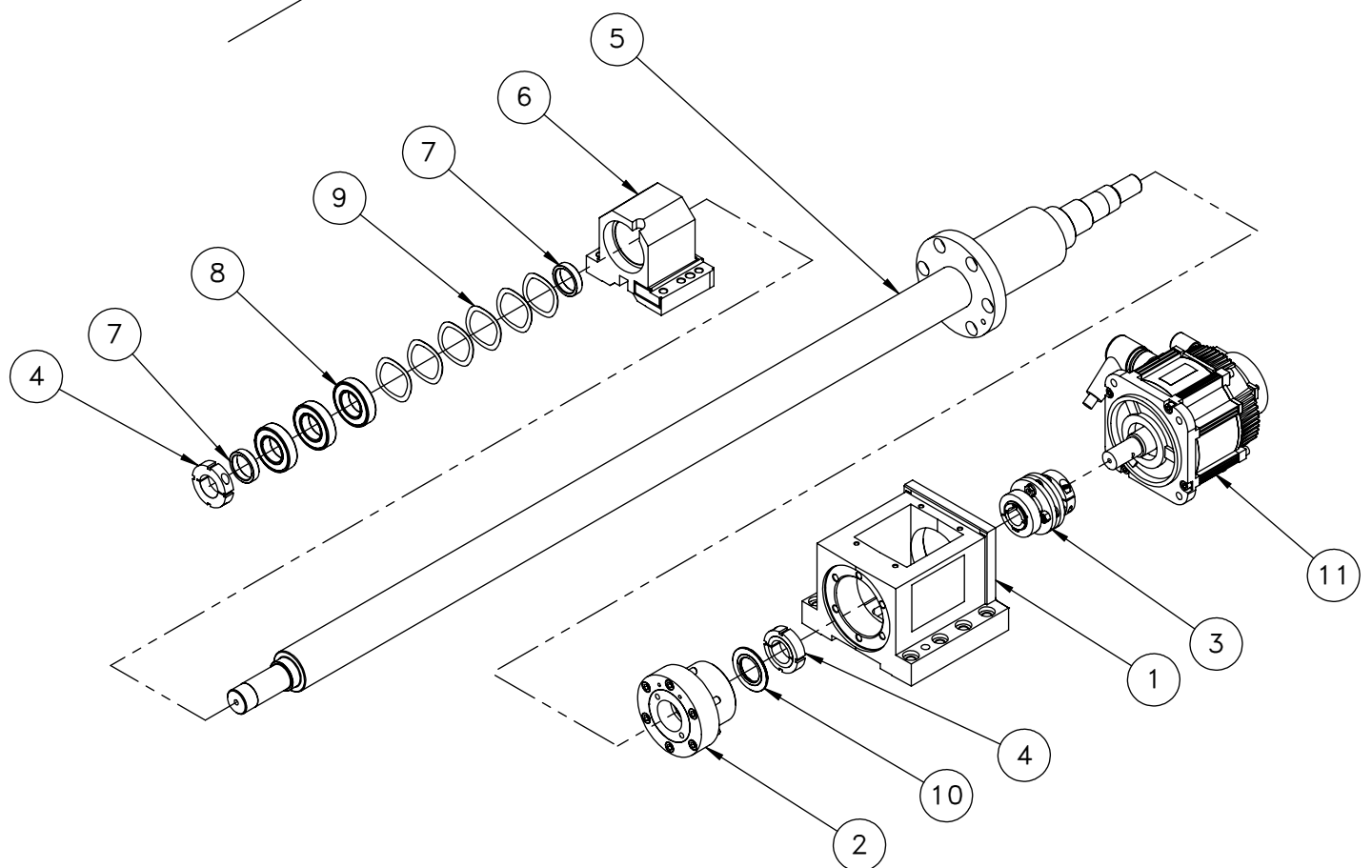
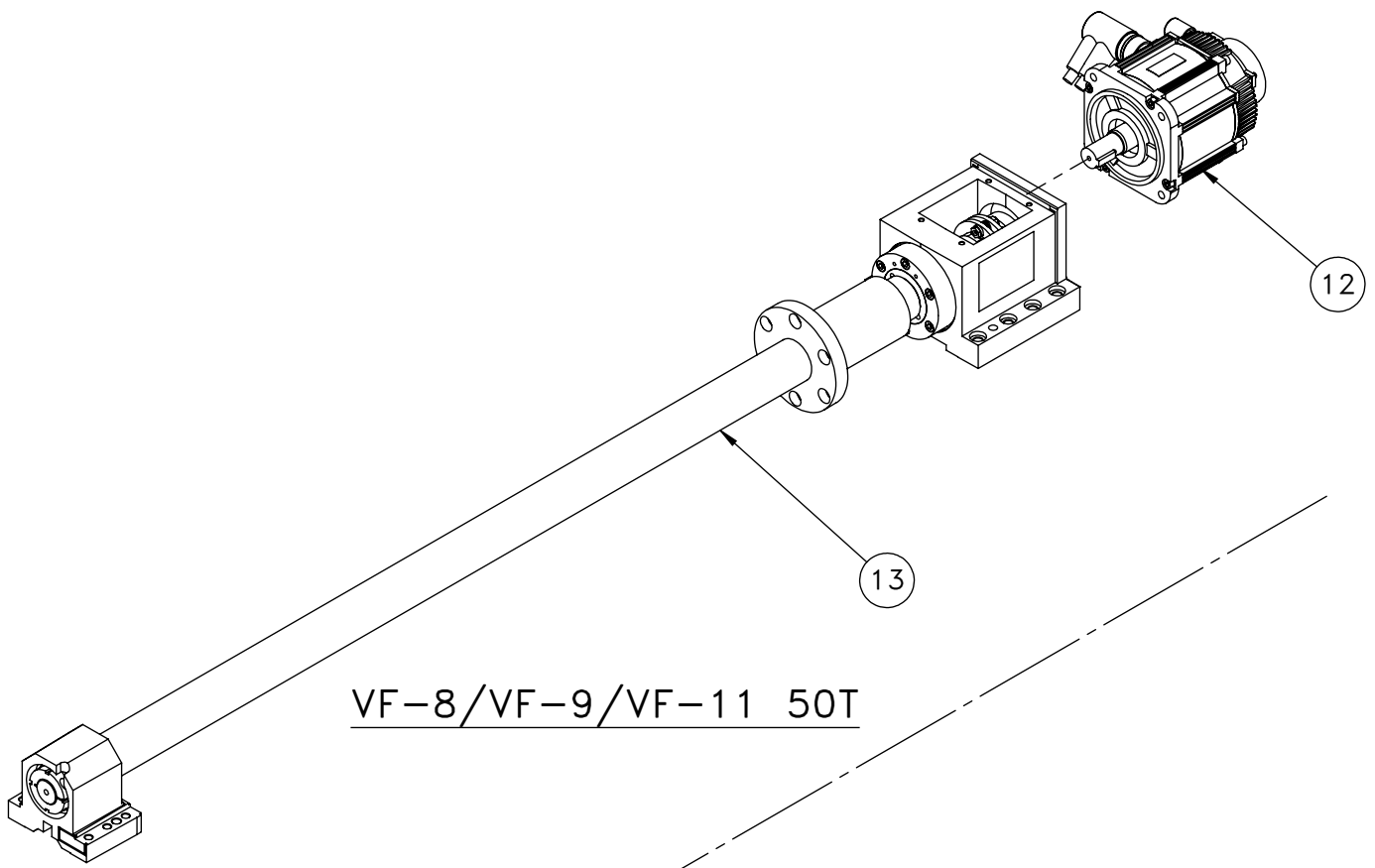
SHEET 1 OF 2

DESCRIPTION
VF-8/VF-9/VF-11 BASE ASSEMBLY

EFFECTIVE DATE

APRIL-2014

SAP DOC NO./VER: 1000025407/01



| ITEM NO. | DESCRIPTION | QTY. |
|----------|--|------|
| 1 | MCHNG MTR MOUNT, 40 & 50 MM BS | 1 |
| 2 | BSCREW SPT BRNG ASSY 40MM MOTOR SIDE | 1 |
| 3 | BSCREW COUPLING ASSY | 1 |
| 4 | BEARING LOCK NUT TCN-06-F | 2 |
| 5 | BSCREW 50-10-1412 | 1 |
| 6 | BRNG HSNG 40/50MM BS MACHVF-6-10 | 1 |
| 7 | SPACER TORQUE LIMIT BALLSCREW VF-6 | 2 |
| 8 | BEARING DEEP GROOVE | 3 |
| 9 | WASHER WAVE DISC SPRING MCMSTR #971K73 | 6 |
| 10 | SPACER RING 40MM BALLSCREW | 1 |
| 11 | SRVOMTR YASK USAGED 09 55 INLB CONT | 1 |
| 12 | SERVO MOTOR YASKAWA USAGED 13A22K | 1 |
| 13 | BSCREW 50-10-1412 | 1 |

SHEET 2 OF 2

DESCRIPTION
VF-8/VF-9/VF-11 BASE ASSEMBLY

EFFECTIVE DATE

APRIL-2014

SAP DOC NO./VER: 1000025407/01