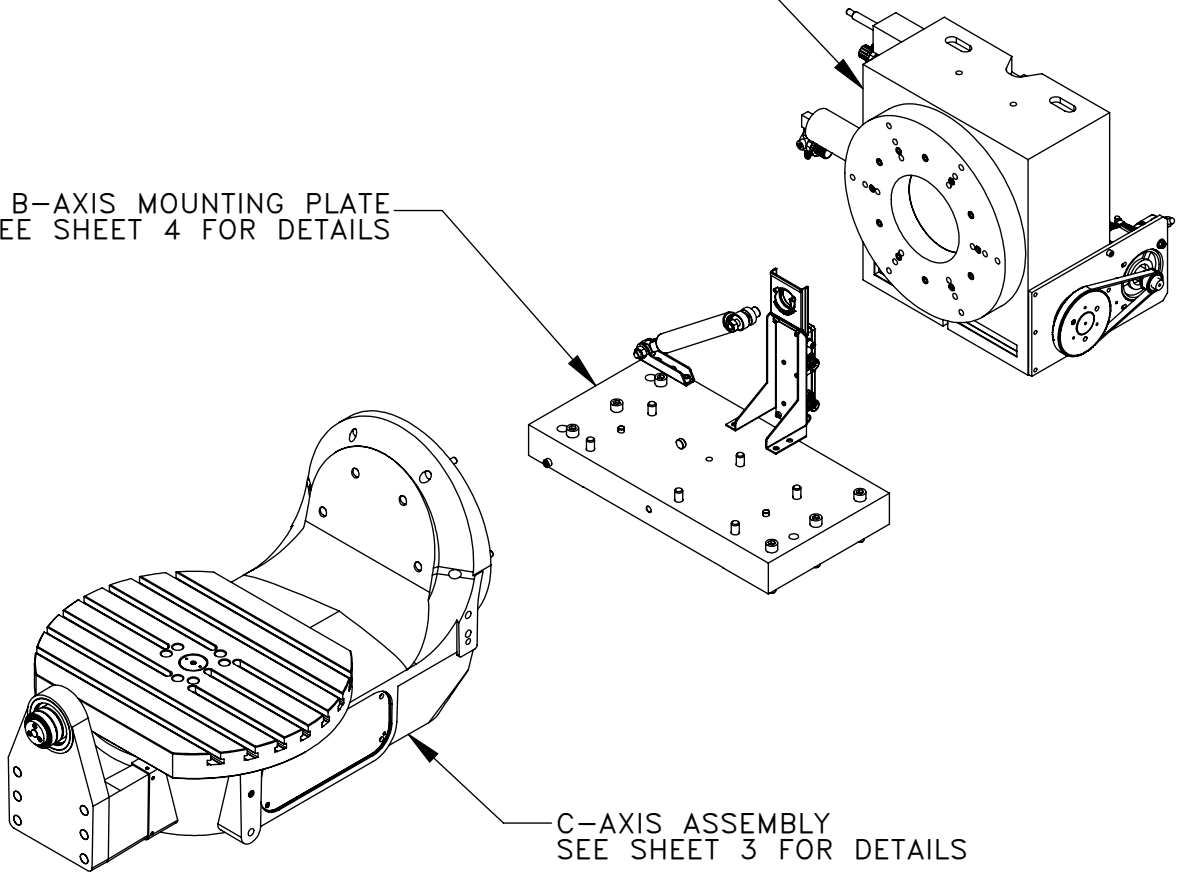
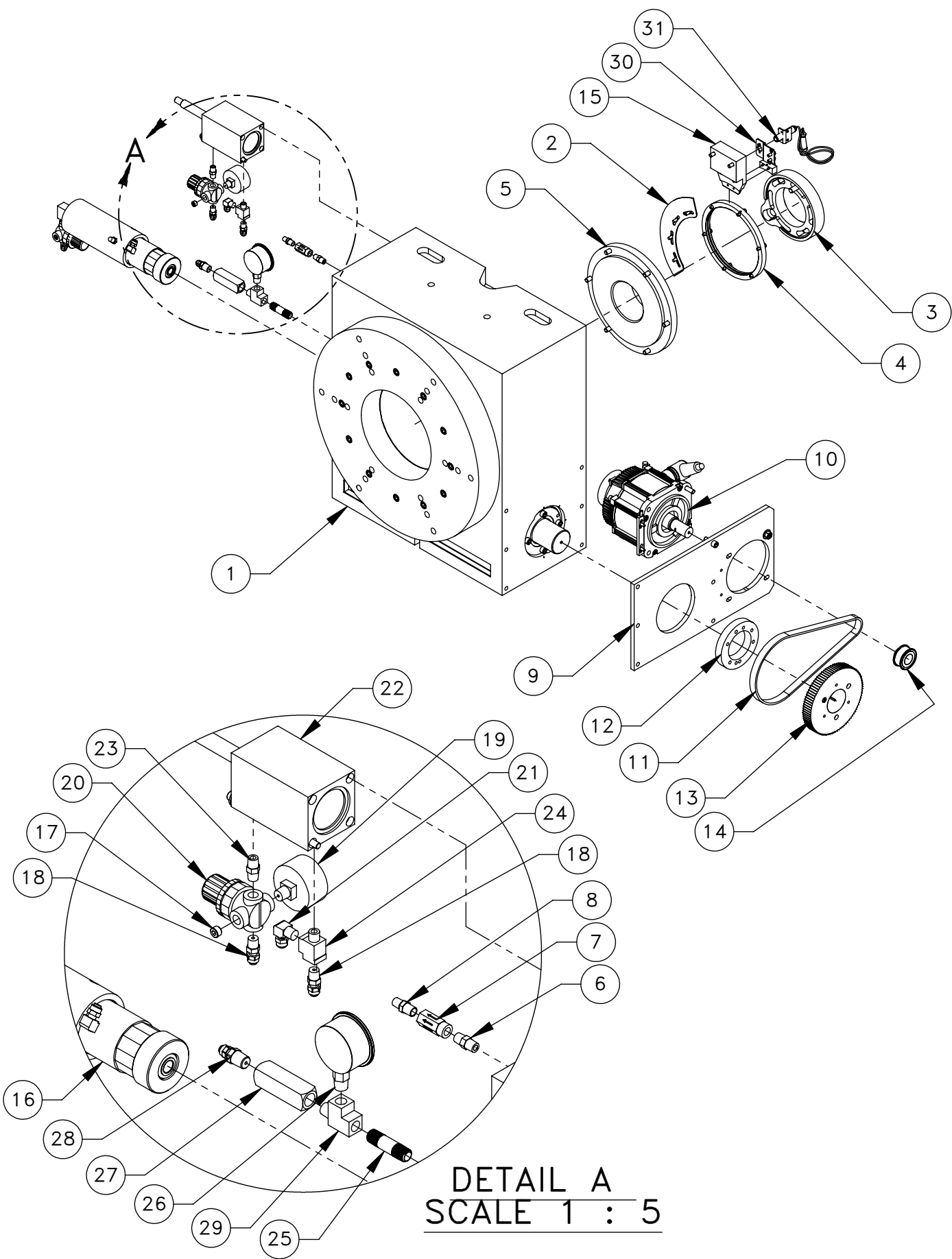


HRT450 ASSEMBLY
SEE SHEET 2 FOR DETAILS

B-AXIS MOUNTING PLATE
SEE SHEET 4 FOR DETAILS



C-AXIS ASSEMBLY
SEE SHEET 3 FOR DETAILS



DETAIL A
SCALE 1 : 5

ITEM NO.	DESCRIPTION	QTY.
1	UMC-750 B-AXIS BODY MACHINING	1
2	UMC-750 B-AXIS PROX SENSOR FLAG	1
3	PLATE COUNTER BALANCE 310 SCALE	1
4	ROTARY FLANGED RING SCALE AMO-SIN CORP	1
5	UMC-750 B-AXIS 450 CBAL ADAPTER	1
6	NIPPLE 1/8 NPT HEX BRASS PARKER	1
7	VALVE CHECK NPT-1/8-F X NPT-1/8-F BRASS	1
8	AIR MUFFLER NPT-1/8-M EXTENDED BRONZE	1
9	UMC-750 B-AXIS MOTOR MOUNT PLATE	1
10	SRVOMTR YASK SIGMA-5 13 W/O BRAKE	1
11	BELT, PGGT 5MX15 5MR-700-15	1
12	LOCK RING DRIVEN PULLEY 450	1
13	PULLEY DRIVEN B-AXIS UMC-750--91T	1
14	PULLEY DRIVE 310VR11	1
15	UMC-750 B-AXIS READ HEAD MOUNT	1
16	SECONDARY CYLINDER	1
17	FITG NPT-1/8-M PLUG	1
18	FITG POLY-1/4 X NPT-1/8-M STR A	2
19	GAUGE 0-160 PSI X NPT-1/8-M BACK	1
20	AIR REGULATOR R07-100-RNKA-CU	1
21	FITG POLY-1/4 X NPT-1/8-M 90	1
22	AIR CYL 2.0 X 2.5	1
23	NIPPLE 1/8 NPT HEX BRASS PARKER	1
24	FITG NPT-1/8-F X NPT-1/8MX NPT-1/8-F TEE	1
25	NIPPLE 1/4 NPT X 2 SST	1
26	GAUGE 0-2000 PSI X NPT-1/4-M BOTTOM	1
27	VALVE CHECK NPT-1/4-F X NPT-1/4-F INLIN	1
28	FITG POLY-1/4 X NPT-1/4-M	1
29	FITG NPT-1/4-M X NPT-1/4-F X NPT	1
30	PROX SENSOR MNT BRKT 1/4	1
31	PROX SW NC 3 WIRE 1.5' W/CONN	1

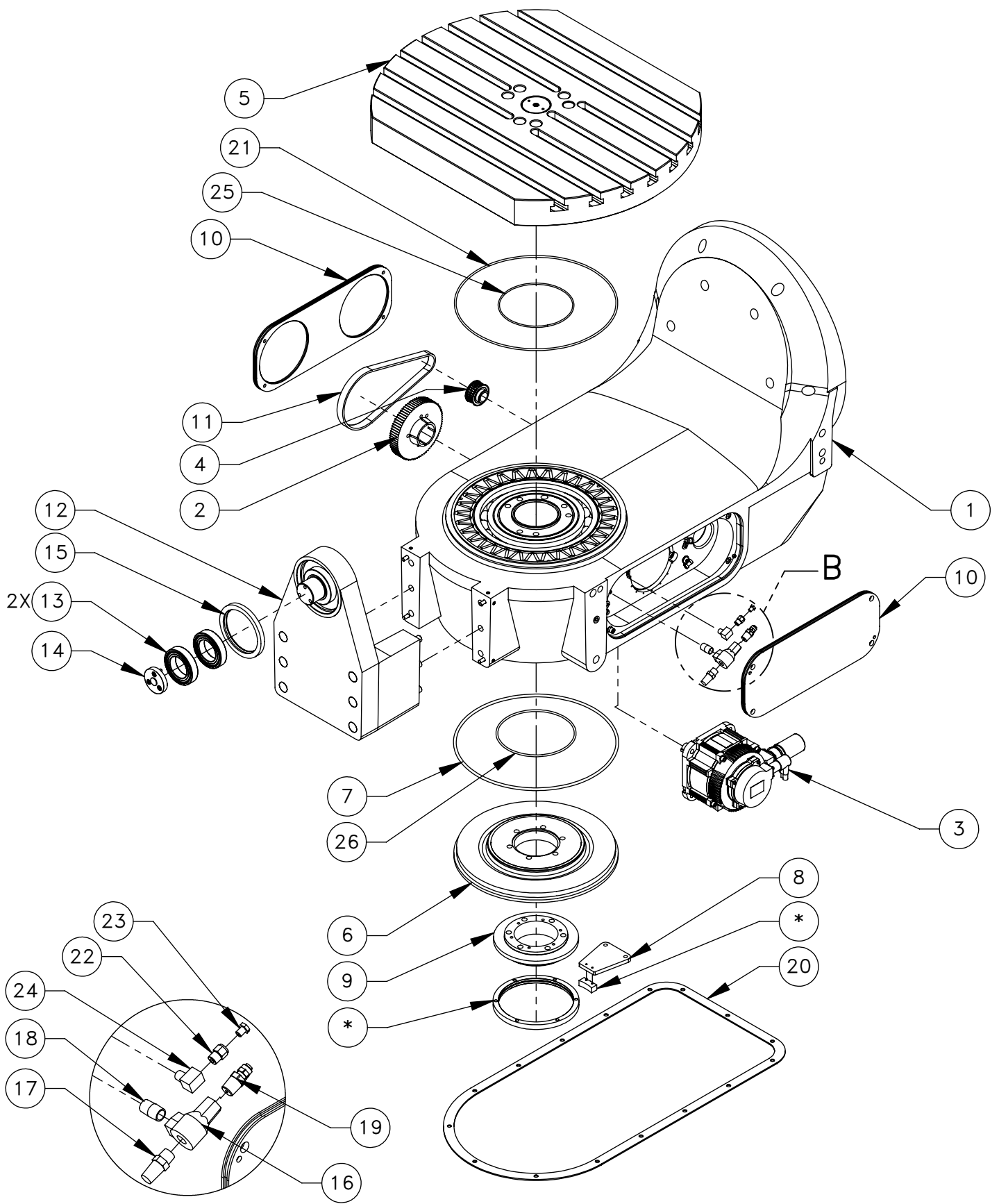
SHEET 2 OF 4

DESCRIPTION
UMC-750 4TH/5TH AXIS ASSEMBLY

EFFECTIVE DATE

AUG-2012

SAP DOC NO./VER: 1000012390/01



DETAIL B
SCALE 1 : 5

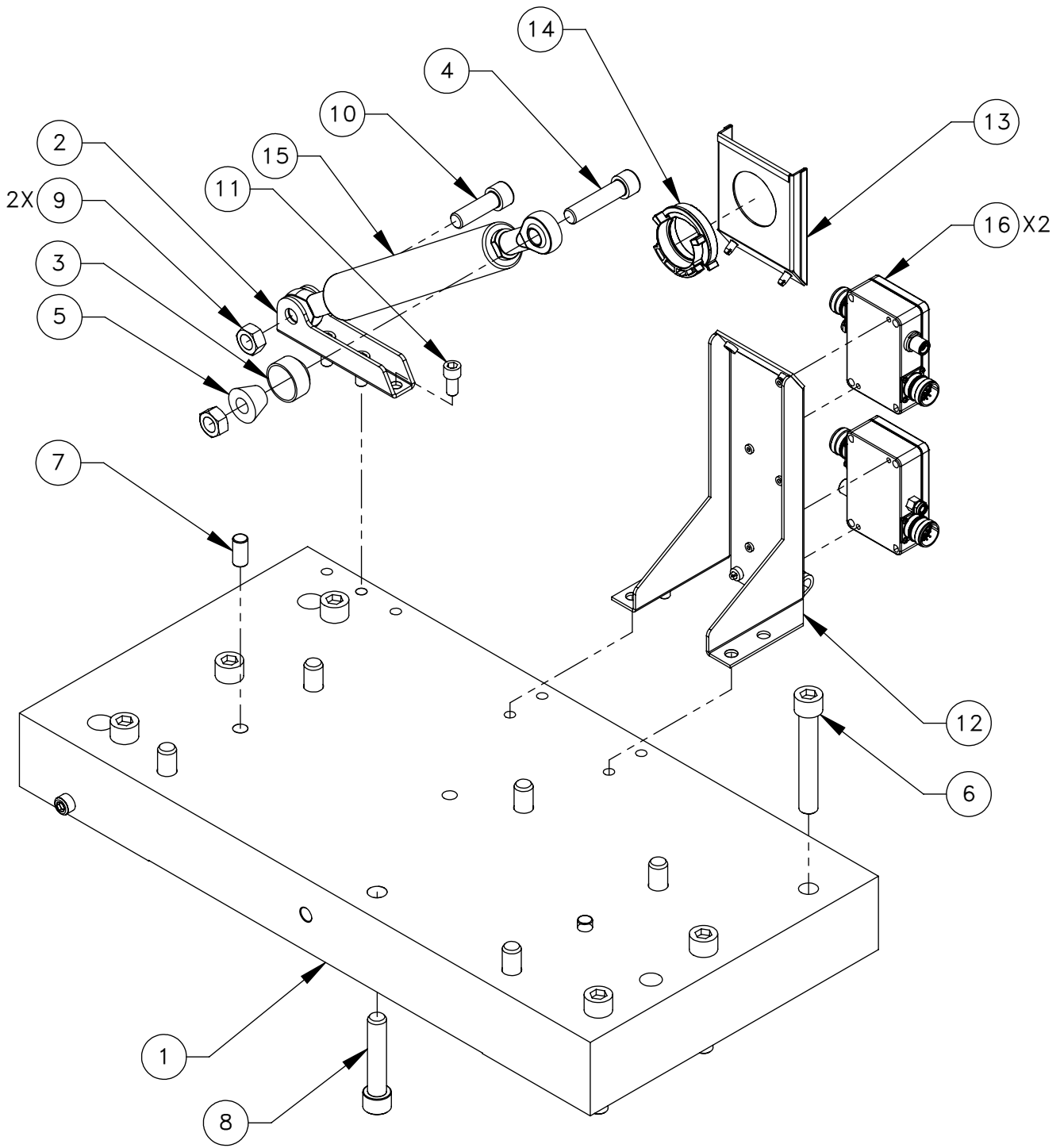
ITEM NO.	DESCRIPTION	QTY.
1	UMC-750 C-AXIS BODY MACHINING	1
2	PULLEY DRIVEN 310-78T	1
3	SRVOMTR YASK SIGMA-5 09 W/O BRAKE	1
4	PULLEY DRIVE 45600B	1
5	UMC-750 PLATTER MACHINING	1
6	BRAKE DISC HRT310 TR310	1
7	57-2252 O-RING 2-381 V-1164-75	2
8	READ HEAD MOUNT AMO SCALE 310	1
9	SCALE MOUNT ADAPTER TR310	1
10	UMC-750 C-AXIS SIDE COVER	2
11	DRV BELT PGGT 5MR-600-15	1
12	UMC-750 C-AXIS BODY SUPPORT MACHINING	1
13	BEARING DEEP GROOVE 6009 SEALED	2
14	UMC-750 B-AXIS SUPPORT BEARING RETAINER	1
15	SEAL 3.500 CR34860 4.376 O.D.	1
16	QUICK EXHAUST 1/4 HUMPHREY	1
17	AIR MUFFLER NPT-1/4-M	1
18	NIPPLE 1/4 NPT CLOSE BRASS	1
19	FITG POLY-1/4 X NPT-1/4-M	1
20	WIPER TOP DR SL-10	1
21	FITG BRASS FERRULE	1
22	LUBE FITG ADPT 5/16-24-F X 1/8NPT-M	1
23	LUBE FITG COMPRESSION NUT 5/16-24-M F	1
24	FITG 1/8NPT-F X 1/8NPT-M 90 BRASS	1
25	O-RING 2-161 BUNA PISTON HEAD	1
26	O-RING 2-256 V-1164-75 PARKER ONLY	1

SHEET 3 OF 4

DESCRIPTION
UMC-750 4TH/5TH AXIS ASSEMBLY

EFFECTIVE DATE
AUG-2012

SAP DOC NO./VER: 1000012390/01



ITEM NO.	DESCRIPTION	QTY.
1	UMC-750 B-AXIS MOUNTING PLATE	1
2	UMC-750 B-AXIS CBAL MOUNT	1
3	ROD END BUMPER TOP TR310B VF-6/TR	1
4	SHCS M14 X 60 X 2	1
5	STANDOFF CBALANCE TOP	1
6	SHCS 5/8-11 X 4.0" LG	6
7	DOWEL PIN 1/2 X 1	2
8	SHCS 5/8-11 X 3	6
9	NUT M14 HEX	2
10	SHCS M14 X 45 2MM PITCH MCMaster #91290	1
11	SHCS 3/8-16 X 3/4 ZINC PLATED	4
12	UMC-750 C-AXIS CONDUIT SUPPORT BRACKET	1
13	UMC-750 CONDUIT BULKHEAD	1
14	SPLIT CONDUIT PANEL CONNECTOR P36	1
15	SPRING GAS COMPRESSION 720LB FORCE	1
16	ROTARY ENCODER INTERP BOX AMO 10 PIN	2

SHEET 4 OF 4

DESCRIPTION
UMC-750 4TH/5TH AXIS ASSEMBLY

EFFECTIVE DATE

AUG-2012

SAP DOC NO./VER: 1000012390/01