

SHEET 1 OF 3

ITEM NO.	DESCRIPTION	QTY.	ITEM NO.	DESCRIPTION	QTY.
1	HOUSING TURRET MACHINED ST10	1	30	RETAINER SUPPORT LT, ST-10	1
2	RING ST10 TURRET ASSEMBLY	1	31	COVER REAR ST10 TURRET ASSEMBLY	1
3	CAP RETAINING ST10 TURRET ASSEMBLY	1	32	MACHINING T/C RISER ST-10	1
4	COVER MACHINED ST10 TURRET HOUSING	1	33	PROX SENSOR TRIP FLAG 1/4	1
5	SHAFT TRANSFER T/C SL-20	1	34	LUBE FITG JUNCTION 5 WAY SINGLE BIJU	2
6	GEAR CLUSTER T/C	1	35	CLAMP BLOCK CONDUIT 1.25 SINGLE	1
7	HOUSING WORM SL20-30T	1	36	BRACKET, CONDUIT GROMMET, SMALL	1
8	LEVER CAM T/C	1	37	CLAMP BLOCK HOSE .75 CLNT DBL	1
9	RETAINER SPRINGS T/C SL-20	1	38	BRACKET, HOSE GROMMET	1
10	RETAINER TURRET T/C SL-20	1	39	FITG LBO-3/8 X NPT-1/4-M X 90	2
11	BUSHING FRONT TURRET SL-20/30T	1	40	FITG REDUCER, 3/8 NPT M X 1/4 NPT F	3
12	CAGE, CAM	1	41	SOLENOID VALVE 1/4NPF MAC P-0187-C	1
13	SPACER ROD END T/C SL-20	1	42	FITG LBO-1/2 X NPT-1/4-M X 90	1
14	COUPLING SERVO DRIVE BL VF-1	1	43	FITG REDUCER NPT-3/8-M X NPT-1/8-F	2
15	GEAR SPUR T/C	1	44	FITG LBO-5/16 X NPT-1/8-M STR	2
16	THRUST WASHER TRD-4860	2	45	SILENCER 40DB HIGH NOISE REDUCTION	2
17	THRUST WASHER TRD-4860	1	46	ORIFICE 1/8NPT X .080 VIBRA SEAL	1
18	RTNG RING 1.500 SH TRU-ARC 5100-150	1	47	BUSHING SPLIT CONDUIT NO FLANGE	1
19	SEAL 3.000 CR29841	1	48	SHCS 5/16-18 X 3/4 DOMESTIC ONLY	8
20	O-RING 2-262 BUNA	1	49	HHB 1/2-20 X 1 1/2 GRADE 5 PLATED	1
21	GASKET ST10 TURRET HOUSING COVER	1	50	WASHER 1 1/2 STEEL .075THK X2.0620	1
22	O-RING 2-343 BUNA	1	51	MOUNTING PLATE, X-AXIS CABLE, ST10Y	1
23	FITG CONN. 1/2 M NPT X 1/2" Compression	1	52	HALL EFFECT SENSOR N/C 125 GAUSS V	2
24	DIE SPRING CENTURY D1223	4	53	HOSE CLAMP 2 9/16 - 3 1/2	2
25	SRVOMTR YASK SIGMA-5 09 W/O BRAKE	1	54	STR FIT METRIC LINER GDE M6 X 1 FOR STAR	4
26	COVER TURRET REAR ST10	1	55	LUBE FITG ADPT 5/16-24-F X M6X	1
27	RETAINER SUPPORT RT, ST-10	1	56	AIR CYL 3.0 X 3.75 W/ 125 GAUSS MA	1
28	XFRONT WIPER MOUNT ST10	1	57	BUSHING REDUCER 1/2 IN. HOSE	1
29	XFRONT WIPER ST10	1			

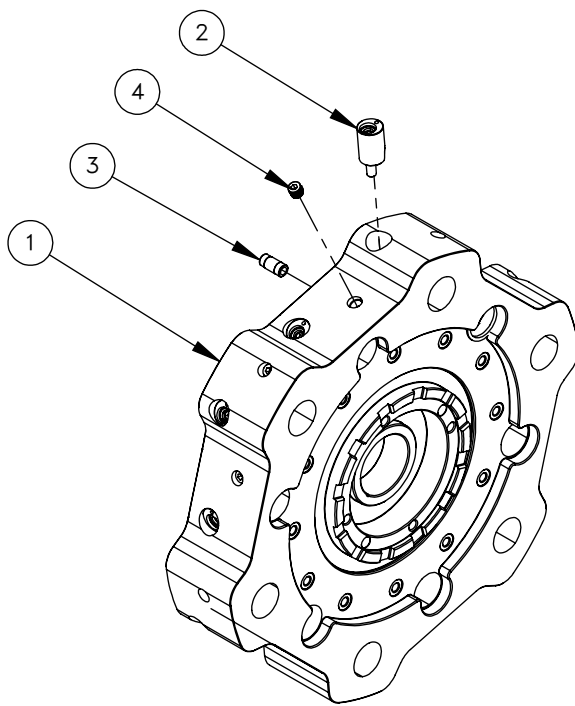
DESCRIPTION

EFFECTIVE DATE

ST-10/ST-10Y TOOL CHANGER ASSEMBLY

AUG-2013

SAP DOC NO./VER: 1000019004/01

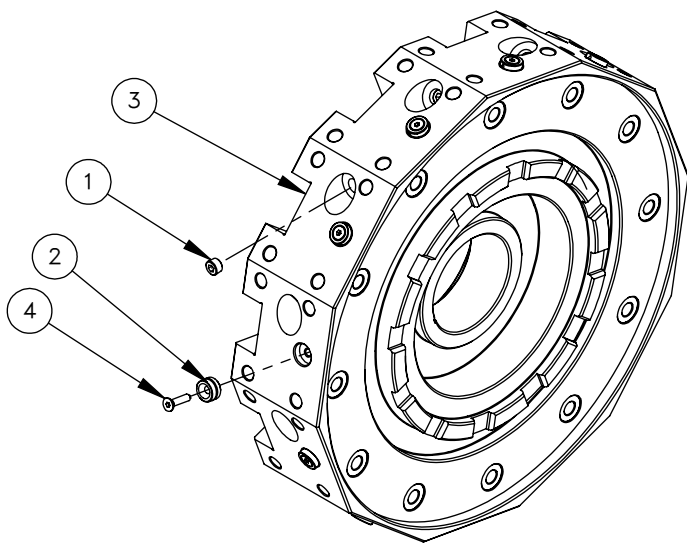


VDI TURRET ASSEMBLY, ST-10

ITEM NO.	DESCRIPTION	QTY.
1	TURRET FINISH MACHINED ST-10 VDI	1
2	VDI-40 LOCK SCREW ASSY	12
3	LOCATOR BUSHING VDI	12
4	FITG NPT-1/4-M PLUG LOCTITE VIBRA S	12

SHEET 2 OF 3

DESCRIPTION	EFFECTIVE DATE
ST-10/ST-10Y TOOL CHANGER ASSEMBLY	AUG-2013



BOLT-ON, INCH, TURRET ASSEMBLY, ST-10

SHEET 3 OF 3

ITEM NO.	DESCRIPTION	QTY.
1	FITG NPT-1/8-M PLUG	12
2	BOT 10 15MM CAM BTN	12
3	TURRET FINISH MACHINED ST10 BOT	1
4	10-32 X .75 HEX SOC FLAT C'SUNK HD CAP SCREW: STEEL	12

DESCRIPTION

EFFECTIVE DATE

ST-10/ST-10Y TOOL CHANGER ASSEMBLY

AUG-2013

SAP DOC NO./VER: 1000019004/01