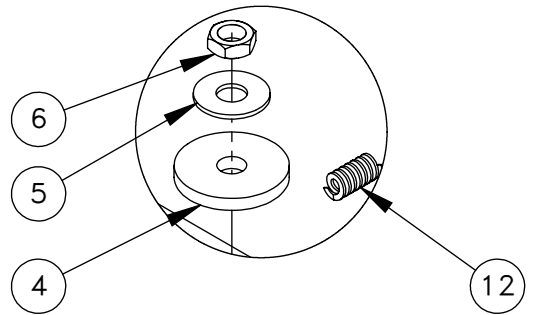
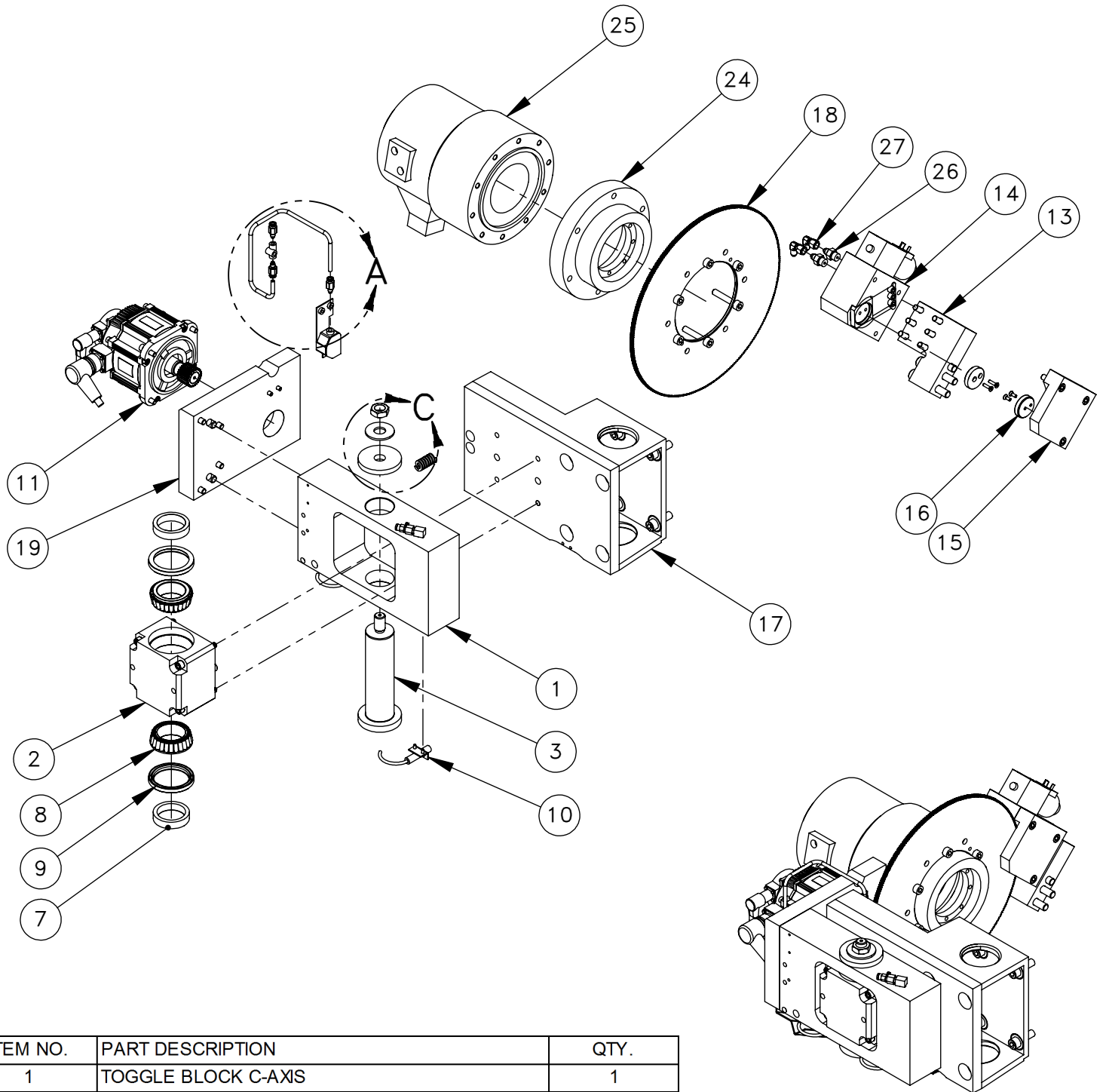


DETAIL A  
SCALE 1 : 5



DETAIL C  
SCALE 1 : 5



ITEM NO.	PART DESCRIPTION	QTY.
1	TOGGLE BLOCK C-AXIS	1
2	C-AXIS PIVOT	1
3	SHAFT T/C PIVOT SHORT	1
4	T. C. PIVOT WASHER	1
5	WASHER 3/4 FLAT USS PLT	1
6	NUT 3/4-16 JAM	1
7	SPACER SEAL T/C	2
8	R BRG TAPR ROLR M50-80-24	2
9	SEAL 2.500 NATIONAL 473476 3.150 O.	2
10	PROX SW NC 2WR 3.1M WITH BRACKET	2
11	SRVOMTR YASK SIGMA-5 13 W/O BRAKE	1
12	SPRING TURRET COUPLING CENTURY D1123	1
13	BRAKE MOUNT C-AXIS S30	1
14	CALIPER BRAKE LT	1
15	BACKPLATE BRAKE LT	1
16	PAD WILWOOD 150-1251	2
17	C AXIS MOUNT MACH S30	1
18	GEAR DISK C-AXIS S30	1
19	MOTOR BLOCK C-AXIS S30, GREASE	1
20	MANIFOLD GREASE C-AXIS GEAR ST10/20/30	1
21	FITG LBO 1/4 X 5/16-24 THREADS	3
22	COPPER TUBE C-AXIS GREASE	1
23	LUBE FITG JUNCTION 2 WAY BIJUR #B-32	1
24	HS CHUCK CLOSER ADAPTER, S30	1
25	CHUCK CYL 10 M85 77ID W/O CC CAX CLEAR	1
26	FITG ORB-6-M X JIC-4-M STR	2
27	FITG JIC-4-F X JIC-4-M 90	2

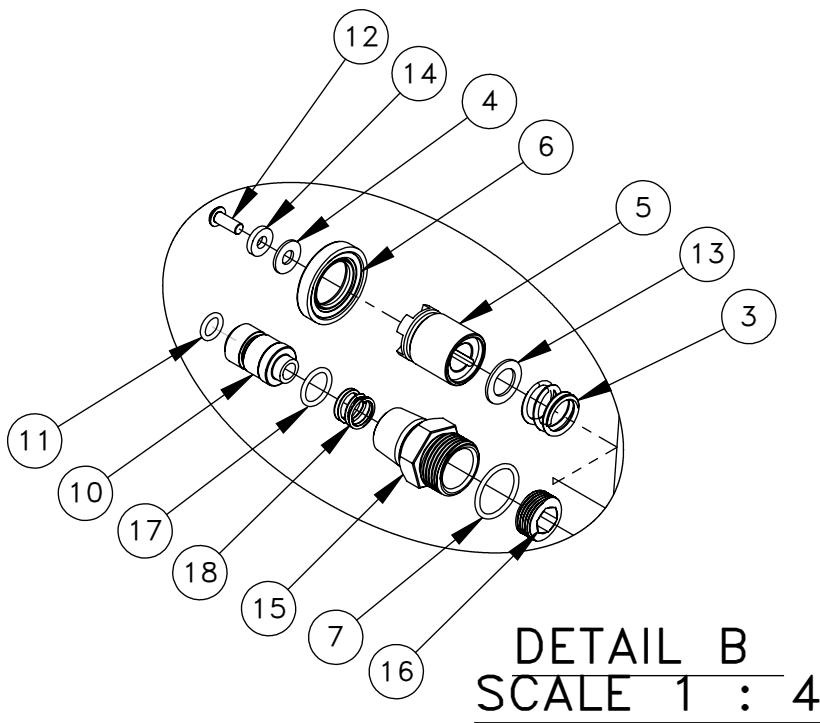
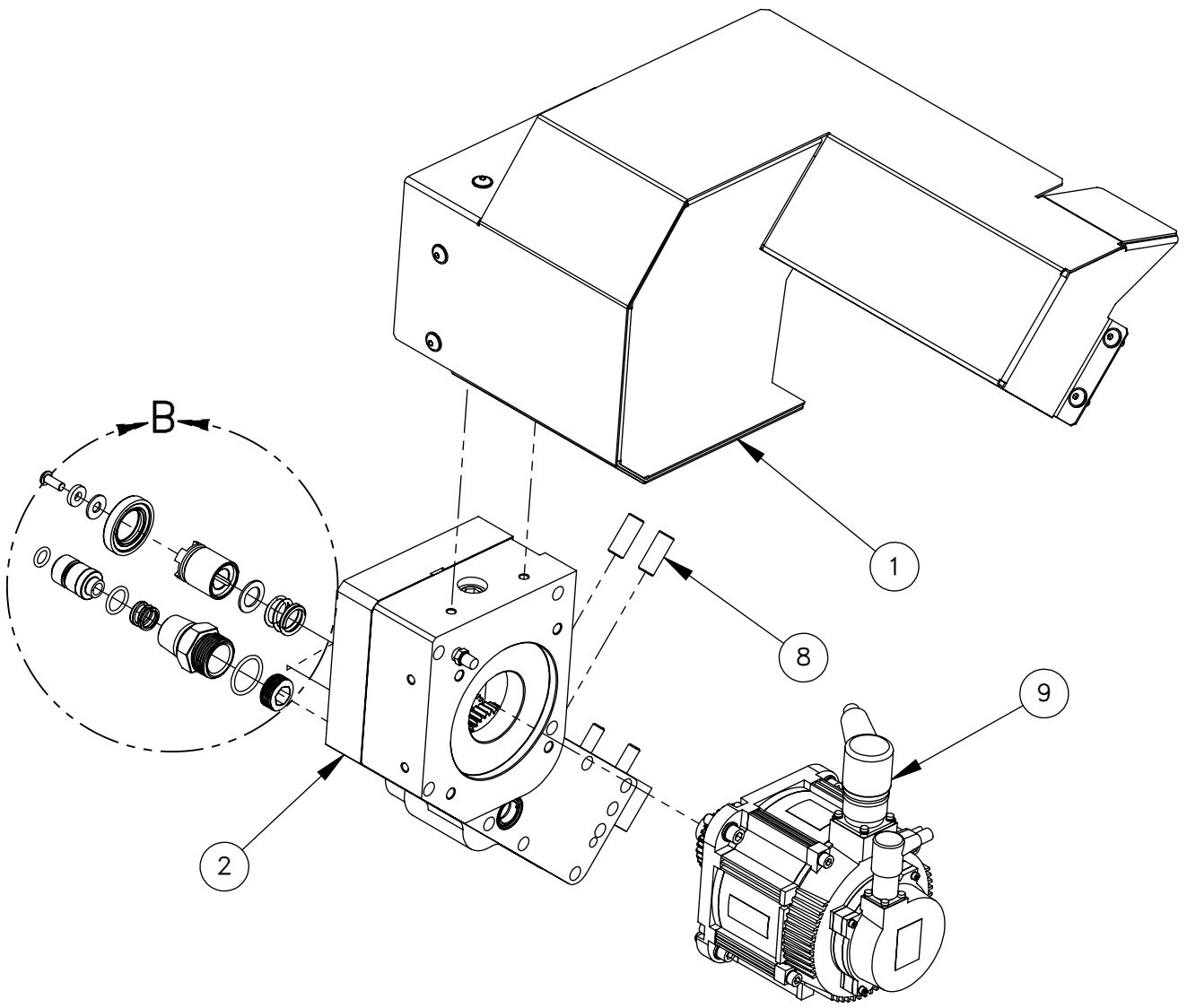
DESCRIPTION

ST-30 BIG BORE C AXIS ASSEMBLY

EFFECTIVE DATE

FEB-2013

SAP DOC NO./VER: 1000006442/01



ITEM NO.	PART DESCRIPTION	QTY.
1	COVER GEARED LT ST20/30 VB/VDI	1
2	HOUSING MACHINED ST GEARED LT	1
3	SPRING COMPRESSION 72427S .975 OD X .88	1
4	WASHER 1/4 STEEL .060THK X .7500	1
5	CASTLE DRIVE ST10 DRIVEN LT	1
6	SEAL 30MM CR11615 45 O.D.	1
7	O-RING 2-122 BUNA	2
8	DOWEL PIN 1/2 X 1-1/4	2
9	SRVOMTR YASK SIGMA-5 13 W/O BRAKE	1
10	NOZZLE OUTPUT COOLANT DOVETAIL	1
11	O-RING 2-111 VITON	1
12	BHCS 1/4-20 X 5/8 W/LOCTITE	1
13	WASHER 1.0 OD X .630 ID +.005/-.000 X .	1
14	WASHER 1/4 HARD 1/4ID X 5/8OD X 1/8 THK	1
15	NOZZLE HOUSING COOLANT ST	1
16	SSS HOLLOW 1"-12	1
17	O-RING 2-115 BUNA	1
18	SPRING COMPRESSION 71964S	1

DESCRIPTION

ST-30 BIG BORE LIVE TOOL ASSEMBLY

EFFECTIVE DATE

MAR-2012

SAP DOC NO./VER: 1000006442/01