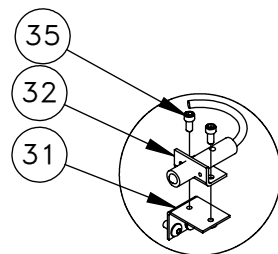
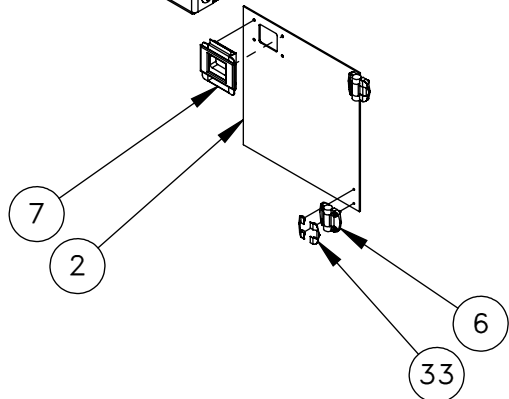


GREASE RESERVOIR
ASSEMBLY SEE
SHEET X
FOR DETAILS

AIR REGULATOR
ASSEMBLY SEE
SHEET X
FOR DETAILS



DETAIL A
SCALE 1 : 5

ITEM NO.	DESCRIPTION	QTY.
1	BASE RIGHT OM/OL PRM. GRAY	1
2	BASE DOOR RIGHT OM/OL PRM/GRY	1
3	BASIN OL-1 BASE	1
4	TROUGH BACK CABLES OL-1	1
5	MACHINE SUPPORT LONG	1
6	HINGE DOOR POSITIONING SOUTHCO #C6-8	1
7	LATCH PUSH CLOSE	1
8	PAD VIBRATION ISOLATOR OM-1	3
9	BED MACHINING	1
10	HHB 1/2-13 X 2 3/4 GRADE 5 PLATED	3
11	WASHER 1/2 FLAT USS PLT	3
12	ISOLATOR TRANS	3
13	SPACER VIBRATION ISOLATOR OM-1/OL-1	3
14	LINEAR GUIDE 25 X 500 OM-1	1
15	SHCS 1/4-20 X 1 DOMESTIC ONLY	16
16	MOTOR UNIT XYZ OM-1	1
17	DOWEL PIN 1/4 X 1	2
18	YSKAWA SIGMA MTR 04	1
19	PLUG PRY OUT 1.5 DIA	1
20	COUPLING 40OD X44L X14IDSOM-1	1
21	SHCS 3/8-16 X 3 BLK OX	4
22	BEARING RETAINING NUT PN-03	2
23	NUT HOUSING 160MM	1
24	SEAL .875 CR400221 1.345 O.D.	1
25	BEARING LOCKNUT BH-03	1
26	KEY HANDWHEEL	1
27	BALLSCREW 25-5-500	1
28	BUMPER Z OL-1	1
29	BUMPER Z BALLSCREW OL-1	1
30	RTNG RING .625 SH TRU-ARC	1
31	BRACKET Y HOME SW OM-1	1
32	HOME SWITCH 54. IN NC OM	1
33	HINGE COVER SOUTHCO #C6-601	8
34	SUPPORT OL LOW PRESSURE LUBE PANEL	1
35	SHCS 8-32 X 3/8	2
36	SHCS 8-32 X 2 ZINC PLATED	2

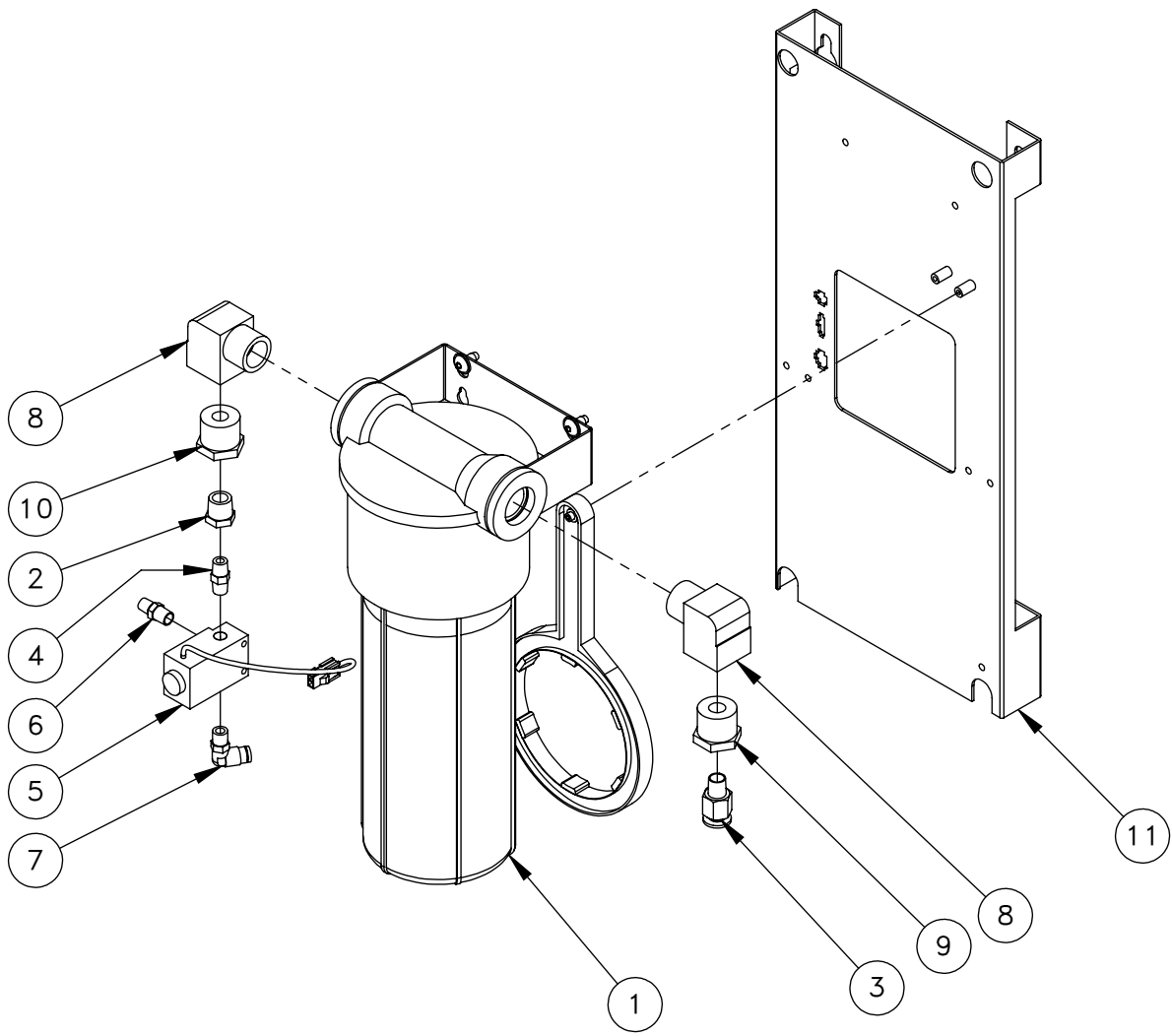
DESCRIPTION

SHEET 1 OF 3

EFFECTIVE DATE
JUNE-2014

OL-1 BASE ASSEMBLY

SAP DOC NO./VER: 1000026756/01



GREASE RESERVOIR ASSEMBLY

ITEM NO.	DESCRIPTION	QTY.
1	FILTER KIT HEAD AND BOWL	1
2	FITG REDUCER NPT-3/8-M X NPT-1/8-F	1
3	FITG LBO-3/8 X NPT-1/4M STR GREASE & OIL	1
4	NIPPLE 1/8 NPT HEX BRASS PARKER	1
5	SOLENOID VALVE 120 VOLT MAC 111B-111BA	1
6	AIR MUFFLER NPT-1/8-M EXTENDED BRONZE	1
7	FITG LBO-1/4 X NPT-1/8-M X 90 AIR ONLY	1
8	FITG NPT-3/4-F X NPT-3/4-M 90 BR	2
9	FITG REDUCER NPT-3/4-M X NPT-1/4-F S&S	1
10	REDUCER 3/8M X 1/8F NPT	1
11	MOUNT LUBE GREASE & OIL	1

SHEET 2 OF 3

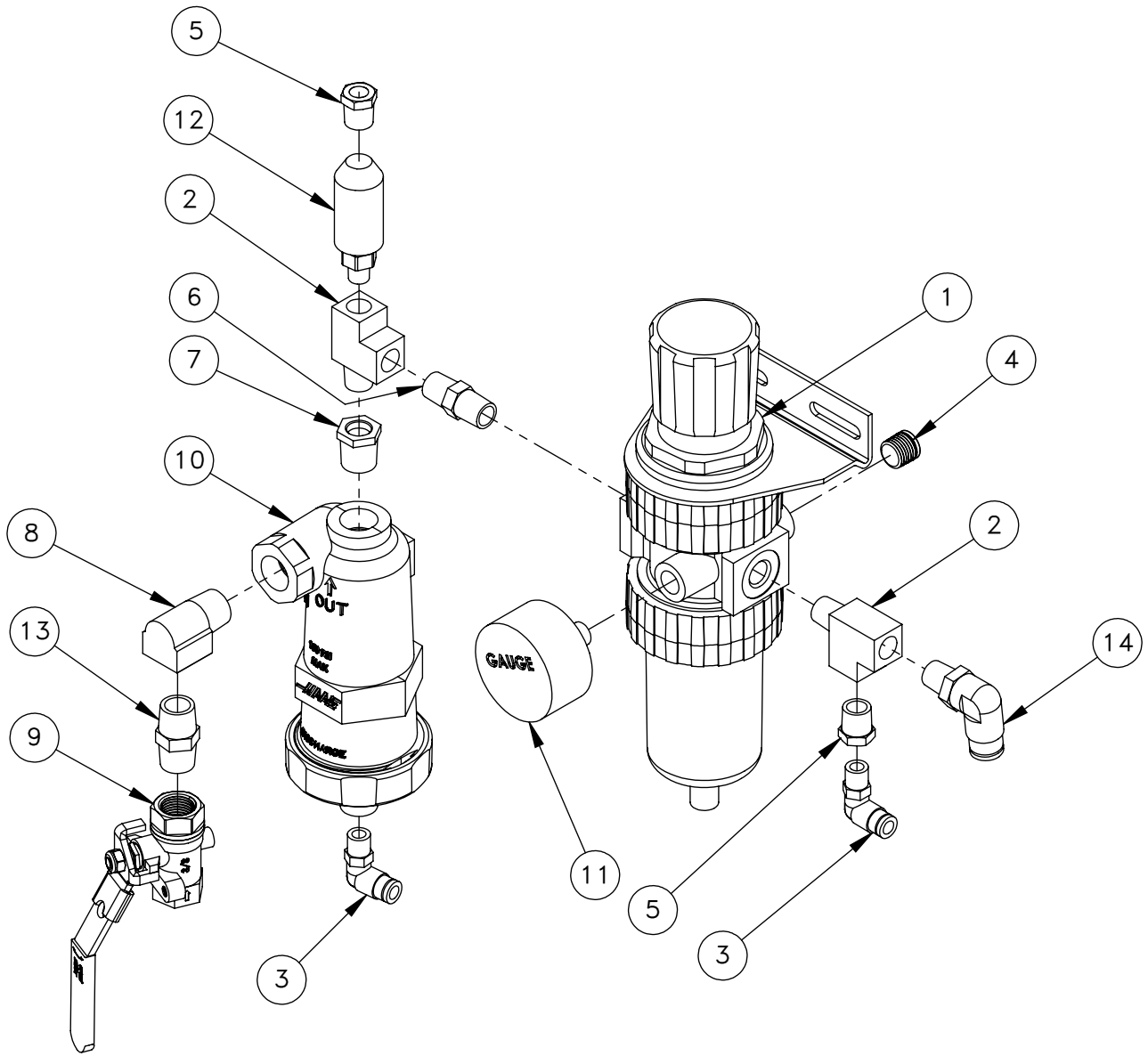
DESCRIPTION

EFFECTIVE DATE

OL-1 BASE ASSEMBLY

JUNE-2014

SAP DOC NO./VER: 1000026756/01



AIR REGULATOR ASSEMBLY

ITEM NO.	DESCRIPTION	QTY.
1	FILTER REGULATOR	1
2	FITG NPT-1/4-M X NPT-1/4-F X NPT	2
3	FITG LBO-1/4 X NPT-1/8-M X 90 AIR ONLY	2
4	FITG NPT-1/4-M PLUG LOCTITE VIBRA S	1
5	FITG REDUCER NPT-1/4-M X NPT-1/8-F	2
6	NIPPLE 1/4 NPT HEX PLTD BRASS	1
7	FITG REDUCER, 3/8 NPT M X 1/4 NPT F	1
8	FITG NPT-3/8-F X NPT-3/8-M 90 BR	1
9	BALL VALVE PNL MNT W/LOCK 3/8FX3/8FNPT	1
10	CASTING SEPARATOR MACHINED	1
11	GAGE 0-160 1/4 NPT 2" DIA	1
12	PRESS SW 63-70PSI 1/8NPT SPST NO AU CNTC	1
13	NIPPLE 3/8 NPT HEX BRASS (350PCS/	1
14	FITG LBO-3/8 X NPT-1/4-M X 90	1

SHEET 3 OF 3

DESCRIPTION
OL-1 BASE ASSEMBLY

EFFECTIVE DATE
JUNE-2014

SAP DOC NO./VER: 1000026756/01